

Fittings and Accessories

For oil, fluid grease and grease lubrication systems and general use

NEW EDITION
WITH FULLY
REVISED AND
IMPROVED
ASSORTMENT!



Navigation

Introduction 2

Solderless pipe union with tapered sleeve 10

Solderless pipe union with cutting sleeve 38

Adapters, plugs and washers 72

Quick connectors 84

Manifolds 100

Tubes and hoses 102

Fixing material 118

Couplings 124

Valves 128

Pressure gauges 136

Reservoirs and trays 140

Lubricating nipples 144

Filters 148

Brushes 152

Tools 154

Refill pumps 164

Table of contents

Electronic part library	8	High-pressure cutting sleeve unions acc. to ISO 8334-1	38
CAD product data	8	Fitting types	39
Lubricants suitable for lubrication systems	9	Double-edged cutting sleeve union (DECS)	40
Tapered sleeve fittings acc. to DIN 3854/DIN 3862	10	Double-edged cutting sleeves D acc. to DIN 3861/ISO 8434-1	41
Provision of counterbore	12	Union nuts M acc. to DIN 3861/ISO 8434-1	42
Form counterbores	14	Straight screw-in connectors GE with metrical thread	43
Double-tapered sleeves for metal pipes	14	Straight screw-in connectors GE with Whitworth pipe thread	44
Socket unions for metal pipes acc. to DIN 3871	15	Straight screw-in connectors GE with Whitworth pipe thread, made from stainless steel or brass	45
Reinforcing sockets for plastic tubes	15	Straight screw-in glands XGE	46
Tapered sleeves for plastic tubes acc. to DIN 3862	16	Straight tube-to-tube connectors G	46
Connectors with tapered thread	17	Straight tube-to-tube reducing connectors GR	47
Connectors with cylindrical thread acc. to DIN 71428	18	Union studs GZ	48
Bracketed connectors	20	Straight tube studs EGE	48
Tube-to-tube connector with air vent acc. to DIN 3862	21	T-connectors T	49
T-connectors acc. to DIN 71433	22	Reducing T-connectors TR	49
Bulkhead connectors with tapered thread	24	Elbow connectors W	50
Tube-to-tube connectors	24	Elbow screw-in connectors WE with metrical thread	50
Straight bulkhead fittings acc. to DIN 71429	25	Elbow screw-in connectors WE with Whitworth pipe thread	51
Reducing piece	25	K-connectors K	52
Threaded sockets	26	Female connector straight GAI with metrical thread	53
Elbow bulkhead fittings acc. to DIN 71429	28	Female connector straight GAI with Whitworth pipe thread	53
Elbows with cylindrical thread acc. to DIN 71433	28	Check valves GERV	54
Elbows with tapered thread acc. to DIN 71429	29	Straight bulkhead connectors SV	56
Elbows with tube end for pipe union for installation in counterbores acc. to DIN 3854/DIN 3862	30	Elbow bulkhead connectors WSV	56
Banjo fittings acc. to DIN 71430 Form A	31	Banjo fittings SWVE with metrical thread	57
Banjo fittings acc. to DIN 71430 Form B	32	Banjo fittings SWVE with Whitworth pipe thread	58
Banjo fittings acc. to DIN 71430 Form C	33	Banjo fittings WH (high-pressure)	58
Banjo fittings acc. to DIN 71430 Form D	33	Reducing connectors RED with cylindrical thread	59
Banjo fittings, rotatable	34	Connectors for pressure gauges MAV	60
Banjo fitting with indicator pin for lubricant distributor	34	Connectors for pressure gauges MAVE	60
Rotating joints	35	L-connectors EL, EVL directionally adjustable	61
Cross joints	36	Screw-in T-connectors TE, TH with metrical thread	62
		Screw-in T-connectors TE, TH with Whitworth pipe thread	62
		Swivel nut branch ET	63
		Swivel nut elbow EW	63
		Swivels DVWE	64
		Swivels DG	64
		Blanking plug for cones BUZ	65

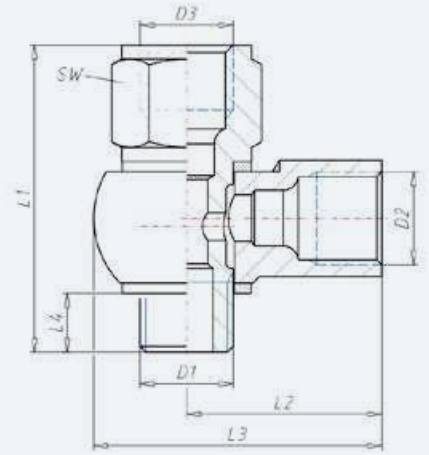
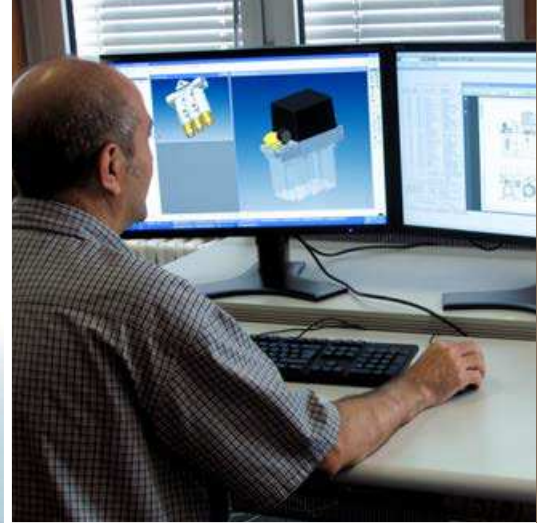
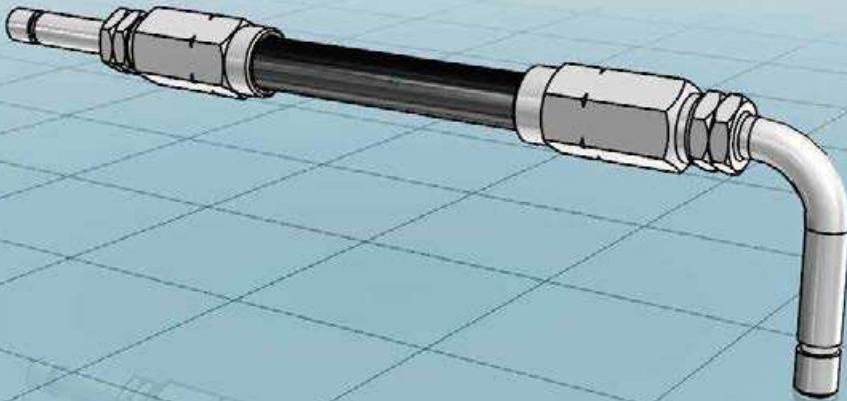
Soft-seal cutting sleeve union (SSCS)	66	Quick connectors	84
Straight screw-in connectors GEZ	67	Single-seal quick connectors	87
Straight screw-in connectors with shortened thread and function nut GEZ (short)	68	Straight screw-in connectors	87
Straight bulkhead connectors with function nut SVZ	68	Straight screw-in connectors with PTFE threaded seal	87
Straight connectors (tube to tube) with function nut GZ	69	Adapters with tapered thread	88
T-connectors with function nut TZ	69	Banjo fittings with tapered thread	88
Reducing connectors with function nut REDZ	70	Elbows with tapered thread	89
Cone plugs VKA	71	Banjo fittings with O-ring threaded seal	89
Adapters, plugs and washers	72	Banjo fittings with PTFE threaded seal	90
Reducing connectors with cylindrical thread for operating pressures up to 45 bar (sealed by flat washer acc. to DIN 7603)	74	Banjo fittings with hexagon socket and O-ring threaded seal	90
Reducing connectors with tapered thread for operating pressures up to 45 bar	74	Screw-in T-connectors	91
Reducing connectors with cylindrical thread for operating pressures up to 45 bar (sealed by flat washer acc. to DIN 7603)	75	T-connectors	92
Adapter for pressure gauges for operating pressures up to 45 bar (sealed by flat washer acc. to DIN 7603)	75	Straight bulkhead connectors	92
Adapter for pressure gauges with cylindrical thread for operating pressures up to 45 bar	76	Tube-to-tube connector	93
Reducing connectors with tapered thread for operating pressures up to 350 bar	76	Triple-seal quick connectors	94
Elbow reducing connectors 45° with tapered thread for operating pressures up to 350 bar	77	Straight screw-in connectors with cylindrical thread	95
Elbow reducing connectors 90° with tapered thread for operating pressures up to 350 bar	77	Straight screw-in connectors with tapered thread	95
Reducing connectors RI with cylindrical thread for operating pressures up to 400 bar	78	Tube-to-tube connectors	96
Banjo fittings, rotatable	79	Banjo fittings with banjo bolt and cylindrical thread	96
Vent plugs with profile seal acc. to ISO 9974-2	81	Elbows with tapered thread	97
Vent plugs sealed by flat washer acc. to DIN 7603	81	Banjo fittings with cylindrical thread	98
Screw plugs VST1	82	Banjo fittings with tapered thread	99
Screw plugs sealed by flat washer acc. to DIN 7603	82	Locking pin	99
Flat washers	83	Manifolds	100
		Metering device manifolds	101

Tubes and hoses	102	Valves	128
Plastic tubing	104	Relief valve	129
Tube protections	105	Relief valves with bleed valve and safety valve	129
Steel tubing	106	Pressure regulating valves, adjustable (poppet valve)	130
Stainless steel tubing	107	Adapters for valves	130
Low-pressure hoses for main lines max. 45 bar	108	Pressure regulating valves, fixed pressure	131
Low-pressure hoses for main lines max. 45 bar with tapered sleeve and socket union on both ends	109	Shut-off valves	133
Low-pressure hoses for main lines max. 45 bar with socket union on both ends and with claw groove for quick connectors	110	Solenoid valves	135
Low-pressure hoses for secondary lines max. 15 bar	111	Pressure gauges	136
Low-pressure hoses for secondary lines max. 15 bar with tapered sleeve and socket union on both ends	111	Standard pressure gauges	137
Low-pressure hoses for secondary lines max. 15 bar with claw groove for quick connectors on both ends	112	Damped pressure gauges with restrictor	137
Low-pressure hoses suitable for self-installation max. 45 bar	113	Damped pressure gauges with glycerin filling	138
High-pressure hoses for self-installation	114	Damped pressure gauges with glycerin filling and visualization in red/green	138
Threaded joints for high-pressure hoses	115	High-pressure gauges	139
Fixing material	118	Reservoirs	140
Fixing clips	119	Plastic reservoirs	141
Pipe brackets acc. to DIN 3015	122	Oil trough with shut-off valve	142
Cable straps	122	Metal reservoirs	143
Mounting base	123	Oil level gauges for metal reservoirs	143
Fixing bolts	123	Lubricating nipples	144
Couplings	124	Hydraulic grease nipples according to DIN 71412	145
Low-pressure quick-disconnect couplings	125	Button-head grease nipples according to DIN 3404	145
Medium- and high-pressure quick-disconnect couplings	125	Lubrication fitting block	146
Coupling plugs	126	Holder with lubricating nipple and fitting	146
Coupling sockets with return flow port	127	Lubrication nipple manifolds	147
		Lubricating nipple box	147
		Filters	148
		Screen filters for oil and fluid grease	149
		Filter elements for oil and fluid grease filters	149
		Screen filters for grease	150
		Filter elements for grease filter units	151

Brushes	152
UC, 233, 068874	153
Support for brushes	153
Tools	154
Pipe cutter	155
Tube bender	157
Tube bending fix	158
Hose cutter	159
Grease pump set for pressure and function check	160
Drum plug wrench	161
Socket wrench insert for elbows	162
Mounting stud for hose couplings	163
Refill pumps	164
PowerLuber	165
Manual grease filler guns	166
Filler cylinder	167
Manually and pneumatically operated filling pumps 169	168
Electrically operated filling pump EFFP	169
Cross reference list	170
Index	172

Electronic part library

CAD product data



Find your parts online

3D CAD data, technical drawings and data sheets of SKF fittings and accessories are now available in native format in the online parts library. In addition to enjoying easy CAD downloads, you can configure more complex lubrication system products and integrate them into your design process – completely free of charge. Integrate CAD data seamlessly into your layout plans without any delay.



<https://skf-lubrication.partcommunity.com>

Use the parts library app

In addition to the electronic parts library, SKF offers a mobile app that allows you to use the SKF CAD download portal for lubrication systems. The LubCAD app lets you view, configure and download products and parts in the most common CAD file formats. You can also download related product brochures or find an authorized SKF Lubrication Systems Distributor in your area.

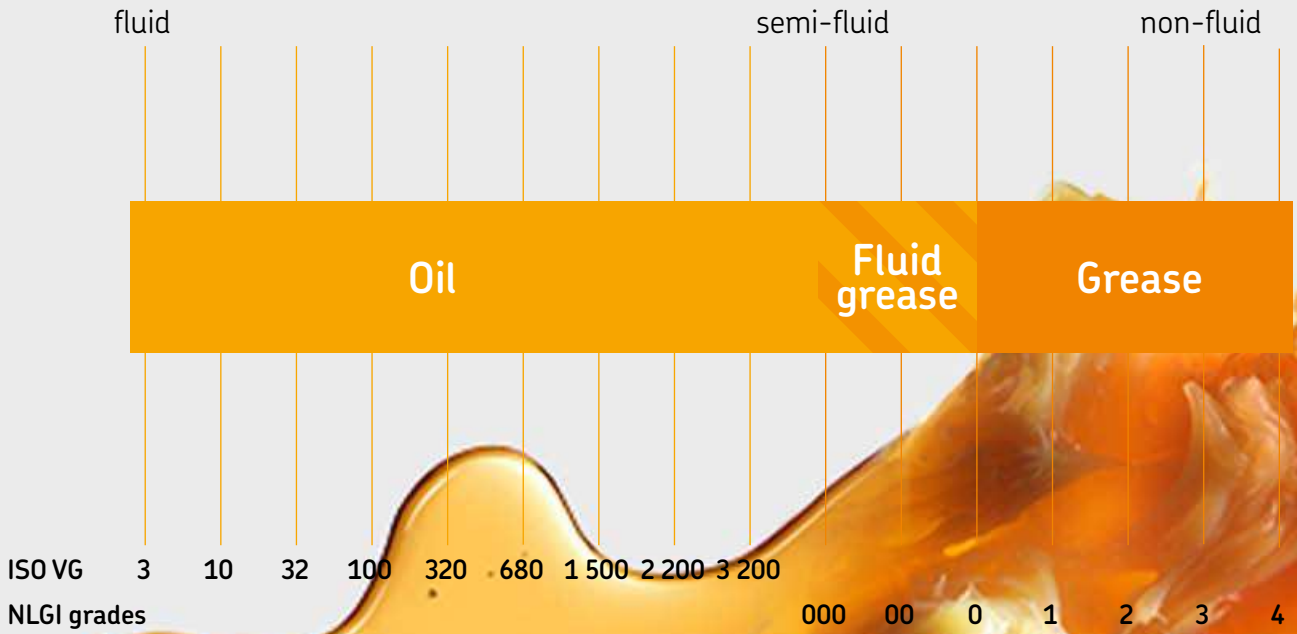


Apple™ App Store



Google Play™

Lubricants suitable for lubrication systems



Oil and fluid grease

The viscosity is an expression of a fluid's internal friction. Oils are classified in ISO VG viscosity classes from 2 to 3 200. NLGI grade 000, 00 and 0 greases are called fluid greases. Different types of oils are available, including mineral oils, organic oils and synthetic oils. A compatibility check is recommended prior to using any oil with SKF lubrication systems.

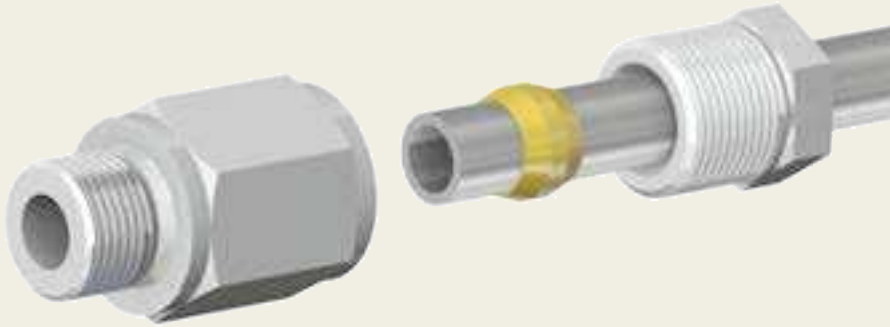


Grease

Greases are consistent lubricants (NLGI grade 1–6). They are soft to hard, triple-component mixtures of a base oil as the lubricating fluid, a thickening agent and additives. In most instances, greases of NLGI grade 1 up to 3 are suitable for use in a lubrication system. A compatibility check should be made prior to using any grease with SKF lubrication systems.

Tapered sleeve fittings acc. to DIN 3854/DIN 3862

Low-pressure fittings for max. 45 bar



Description

Solderless pipe unions for metal and plastic pipes are designed for low pressure oil, fluid grease and grease lubrication systems with pressures up to 45 bar and an operating temperature range from -25 to 80 °C. Depending on the selection of metering pipe material, there are two different types of tapered sleeve fittings with different components available: Tapered sleeve fittings for plastic pipes and double-cone sleeve fittings for metal pipes. For both types of unions, a counterbore acc. to DIN 3862 is necessary.

Features and benefits

- Cost-efficient connection solution for low-pressure systems
- Suitable for oil, fluid grease and grease
- Simple and user-friendly assembly
- Virtually leakage-free union



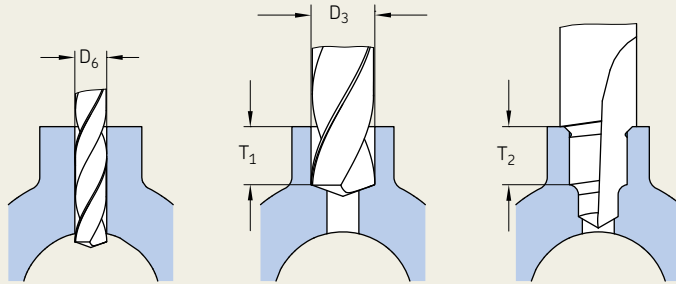
Tapered sleeve unions

Applications

- Paper and packaging industry
- Food and beverage industry
- Assembly and automation
- Part assembly lines
- Injection molding
- Mobile on-road
- Machine tools
- Etc.

Tapered sleeve fittings acc. to DIN 3854/DIN 3862

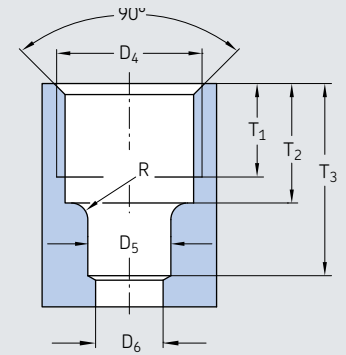
Provision of counterbore



- 1 predrill holes
 - 2 predrill hole to be tapped
 - 3 counterbore with form counterbore up to the stop
- Form counterbore enlarges bore hole diam. D_4 to core hole for ISO thread.



Counterbores for solderless tube connection (DIN 3854/DIN 3862)



Description of counterbores

SKF offers a wide range of tapered sleeve fittings with counterbores according to DIN 3862. In addition, it is also possible to create counterbores by using offered tools as form counterbores.

Applications

- Small-to-medium machine tools
- Mobile on-road (fleet vehicles, on-road transport)
- Assembly and automation
- Food packaging
- Part assembly lines
- Injection molding

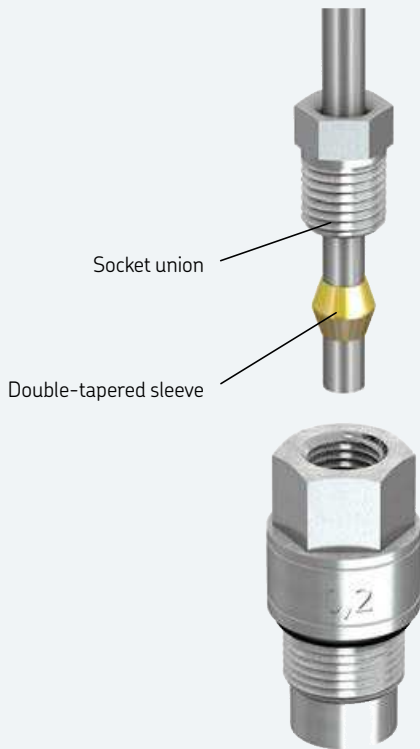
Description	Tube ØD	ØD ₅ ^{B11}	ØD ₆	ØD ₄	T ₁	T ₂	T ₃	R
	mm	mm	mm	mm	mm	mm	mm	mm
1102 ¹⁾	2,5	2,5	1,5	M6×0,75	4,5	5,5	8,5	1,3
1404	4	4	3	M8×1	6,5	8,5	12,5	1,6
1406	6	6	4,5	M10×1	7	9	14	1,6
1408	8	8	6,5	M14×1,5	9	11,5	18,5	1,6
1410	10	10	8,5	M16×1,5	9	11,5	19,5	1,6
1412	12	12	10,5	M18×1,5	9,5	12	22	1,6

1) not shown in DIN standard

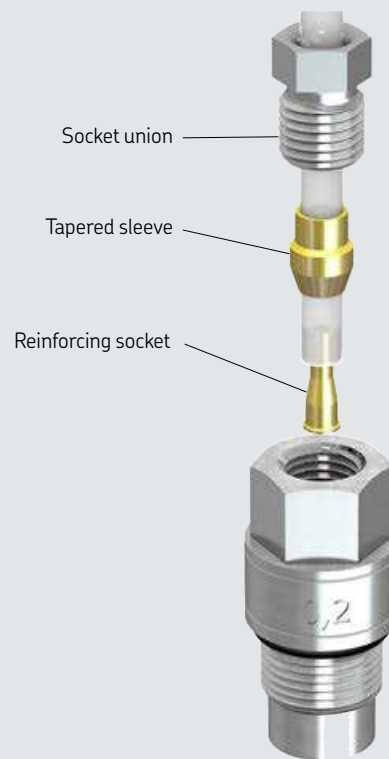
! Important note for provision of counterbore:
 When using a hand drill, take care not to tilt the counterbore out of the drill axis. To avoid damage, drill steadily without interruption. Increase pressure slightly at the stop.

Tapered sleeve fittings

Unions for metal pipes



Unions for plastic pipes



Solderless pipe unions for metal pipes

Description

Solderless pipe unions for metal pipes consist of a socket union, a double-cone sleeve and a fitting with counterbore according to DIN 2862.

Initial assembly

Cut the metal pipe straight to length using a suitable tool, e.g., a pipe cutter. Push the socket union and the double-cone sleeve onto the end of the metal pipe. Insert the end of the metal pipe into the depression until the stop and tighten the socket union finger-tight. Then tighten the socket union again by a maximum of $1\frac{1}{2}$ revolutions.

Repeat assembly

After each time the screw union is loosened, the socket union must be firmly retightened (with the same force) as in the initial assembly.

Solderless pipe unions for plastic pipes

Description

Solderless pipe unions for plastic pipes consist of a socket union, a tapered sleeve, a reinforcing socket and a fitting with counterbore according to DIN 2862.

Initial assembly

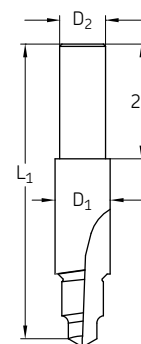
Cut the plastic pipe straight to length using a suitable tool, e.g., a hose cutter. Insert the reinforcing socket into the end of the plastic pipe to stabilize the end of the pipe being assembled. This prevents the plastic pipe from being constricted during assembly. Push the socket union and the tapered sleeve onto the end of the plastic pipe. Insert the end of the plastic pipe into the depression until the stop and tighten the socket union finger-tight. Then tighten the socket union again by a maximum of $1\frac{1}{2}$ revolutions.

Repeat assembly

Each time after the screw union is loosened, the socket union must be firmly retightened (with the same force) as in the initial assembly.

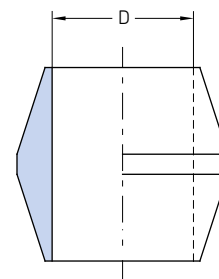
Solderless pipe union with tapered sleeve

Form counterbores



Form counterbores Order number	TubeØ	for counterbores	L_1	D_1	D_2	twistdrill D_6	D_3	T_1	T_2
	mm		mm	mm	mm	mm	mm	mm	mm
902-111	2,5	1102	60,5	10	10	1,5	5	4,5	5,5
904-411	4	1404	65	10	10	3	6,5	7,5	8,5
906-411	6	1406	66	12	10	4,5	8,5	8	9
908-411	8	1408	70	16	10	6,5	12	10,5	11,5
910-411	10	1410	72	18	10	8,5	14	10,5	11,5
912-411	12	1412	75	20	10	10,5	16	11	12

Double-tapered sleeves for metal pipes

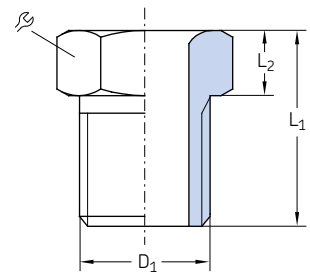


Order number	Designation	TubeØ D	Material	Weight	
				g	lb
Brass					
402-001 ¹⁾	DOUBLE CONE RING MS D 2,5	2,5	Brass	21	0.05
404-001	DOUBLE CONE RING MS D 4,0	4	Brass	34	0.07
406-001	DOUBLE CONE RING MS D 6,0	6	Brass	66	0.15
408-001	DOUBLE CONE RING MS D 8,0	8	Brass	80	0.18
410-001	DOUBLE CONE RING MS D10,0	10	Brass	100	0.22
412-001	DOUBLE CONE RING MS D12,0	12	Brass	120	0.26
Stainless steel					
404-001-S3	DOUBLE CONE RING VA D 4,0	4	Stainless steel	34	0.07
406-001-S3	DOUBLE CONE RING VA D 6,0	6	Stainless steel	66	0.15
408-001-S3	DOUBLE CONE RING VA D 8,0	8	Stainless steel	80	0.18

¹⁾ not shown in DIN standard

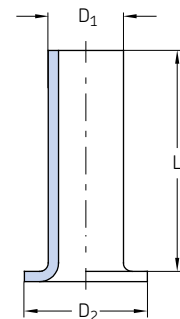
Solderless pipe union with tapered sleeve

Socket unions for metal pipes acc. to DIN 3871



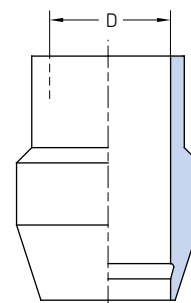
Order number	Designation	TubeØ	D ₁	L ₁	L ₂	☞	Material	Weight (100 pcs)	
								mm	mm
Steel, galvanized									
402-002	COMP.NUT STD 2,5 M 6x0,75 ZN	2,5	M6x0,75	9	3	7	Steel, galvanized	166	0.37
404-002	COMP.NUT STD 4,0 M 8x1,0 ZN	4	M8x1	12	4	8	Steel, galvanized	300	0.66
406-002	COMP.NUT STD 6,0 M10x1,0 ZN	6	M10x1	13	4	10	Steel, galvanized	400	0.88
408-202	COMP.NUT STD 8,0 M14x1,5 ZN	8	M14x1,5	16	4,5	14	Steel, galvanized	1 000	2.21
410-002	COMP.NUT STD 10,0 M16x1,5 ZN	10	M16x1,5	17	5,5	17	Steel, galvanized	1 400	3.09
412-002	COMP.NUT STD 12,0 M18x1,5 ZN	12	M18x1,5	18	6	19	Steel, galvanized	1 800	3.97
Stainless steel									
404-002-S3	COMP.NUT VAD 4,0 M 8x1,0	4	M8x1	12	4	8	Stainless steel	300	0.66
406-002-S3	COMP.NUT VAD 6,0 M10x1,0	6	M10x1	13	4	10	Stainless steel	400	0.88
408-202-S3	COMP.NUT VAD 8,0 M14x1,5	8	M14x1,5	16	4,5	14	Stainless steel	1 000	2.21

Reinforcing sockets for plastic tubes

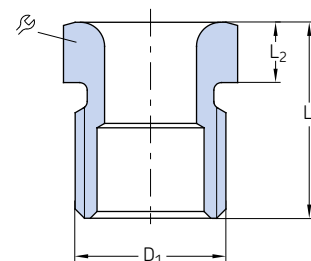


Order number	Designation	TubeØ	D ₁	D ₂	L	Material	Weight	
							mm	mm
402-603	INLET BUSHING MS FTUBE D 2,5x0,5	2,5x0,5	1,4	2,3	8	Brass	5	0.01
404-603	INLET BUSHING MS FTUBE D 4,0x0,85	4x0,85	2,2	3,8	10	Brass	8	0.02
406-603	INLET BUSHING MS FTUBE D 6x1,0	6x1	3,9	5,8	12	Brass	12	0.03
406-613	INLET BUSHING MS FTUBE D 6x1,25	6x1,25	3,4	5,8	12	Brass	15	0.03
408-603	INLET BUSHING MS FTUBE D 8x1,25	8x1,25	5,4	7,8	15	Brass	20	0.04
410-603	INLET BUSHING MS FTUBE D10x1,5	10x1,5	6,9	9,8	18	Brass	24	0.05
412-603	INLET BUSHING MS FTUBE D12x1,5	12x1,5	8,9	11,8	20	Brass	26	0.06

Solderless pipe union with tapered sleeve

Tapered sleeves for plastic tubes
acc. to DIN 3862

Order number	Designation	TubeØ D		Material	Weight (100 pcs)	
		mm			g	lb
402-611	TAPER CUTT.RING MS D 2,5	2,5		Brass	100	0.22
404-611	TAPER CUTT.RING MS D 4,0	4		Brass	120	0.26
406-611	TAPER CUTT.RING MS D 6,0	6		Brass	160	0.35
408-611	TAPER CUTT.RING MS D 8,0	8		Brass	200	0.44
410-611	TAPER CUTT.RING MS D10,0	10		Brass	250	0.55
412-611	TAPER CUTT.RING MS D12,0	12		Brass	300	0.66

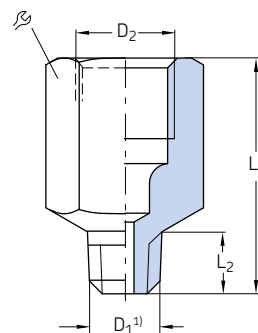
Socket unions for plastic tubes
acc. to DIN 3871

Order number	Designation	TubeØ D ₁		L ₁	L ₂	⌀	Material	Weight (100 pcs)	
		mm	mm					mm	mm
Steel, galvanized									
402-612	COMP.NUT STD 2,5 M 6x0,75 ZN	2,5	M6 x0,75	9	3	7	Steel, galvanized	100	0.22
404-612	COMP.NUT STD 4,0 M 8x1,0 ZN	4	M8 x1	12	4	8	Steel, galvanized	200	0.44
406-612	COMP.NUT STD 6,0 M10x1,0 ZN	6	M10 x1	13	4	10	Steel, galvanized	300	0.66
408-612	COMP.NUT STD 8,0 M14x1,5 ZN	8	M14 x1,5	16	4,5	14	Steel, galvanized	900	1.98
410-612	COMP.NUT ST D10,0 M16x1,5 ZN	10	M16 x1,5	17	5,5	17	Steel, galvanized	1300	2.87
412-612	COMP.NUT ST D12,0 M18x1,5 ZN	12	M18 x1,5	18	6	19	Steel, galvanized	1700	3.75
Brass									
404-612-MS	COMP.NUT MS D 4,0 M 8x1,0	4	M8 x1	12	4	8	Brass	200	0.44
406-612-MS	COMP.NUT MS D 6,0 M10x1,0	6	M10 x1	13	4	10	Brass	300	0.66
408-612-MS	COMP.NUT MS D 8,0 M14x1,5	8	M14 x1,5	16	4,5	14	Brass	900	1.98
410-612-MS	COMP.NUT MS D10,0 M16x1,5	10	M16 x1,5	17	5,5	17	Brass	1300	2.87

Solderless pipe union with tapered sleeve

Connectors with tapered thread

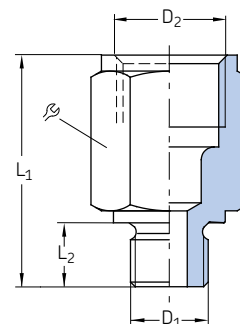
Tapered threads are used without washers; sealed by tapered outer thread and sealant according to DIN 3852-1.



Order number	Designation	Tube		D ₂	L ₁	L ₂	R	Material	Weight	
		∅	D ₁ ¹⁾						g	lb
		mm	mm	mm	mm	mm	mm			
402-003K	CONNECTING PIECE ST D 2,5 M 6x0,75K ZN	2,5	M6x0,75 tap.	M6x0,75	11,5	4,5	8	Steel, galvanized	2	0.004
402-006K	CONNECTING PIECE ST D 2,5 M 8x1,0K ZN	2,5	M8x1 tap.	M6x0,75	15	8	9	Steel, galvanized	5	0.011
402-008K	CONNECTING PIECE ST D 2,5 M10x1,0K ZN	2,5	M10x1 tap.	M6x0,75	16	7,5	12	Steel, galvanized	11	0.024
404-662K	CONNECTING PIECE ST D 4,0 M 6K ZN	4	M6 tap.	M8x1	19	5	11	Steel, galvanized	8	0.018
404-663K	CONNECTING PIECE ST D 4,0 M 6K ZN	4	M6 tap.	M8x1	20	6	11	Steel, galvanized	8	0.018
404-673K	CONNECTING PIECE ST D 4,0 M 6x0,75K ZN	4	M6x0,75 tap.	M8x1	20	6	11	Steel, galvanized	8	0.018
404-047K	CONNECTING PIECE ST D 4,0 M 7K ZN	4	M7 tap.	M8x1	20	6	11	Steel, galvanized	9	0.02
404-003K	CONNECTING PIECE ST D 4,0 M 8x1,0K ZN	4	M8x1 tap.	M8x1	17	7,4	11	Steel, galvanized	6	0.013
404-045	CONNECTING PIECE ST D 4,0 M 8x1,0K ZN	4	M8x1 tap.	M8x1	62,5	7,4	11	Steel, galvanized	40	0.088
404-006K	CONNECTING PIECE ST D 4,0 M10x1,0K ZN	4	M10x1 tap.	M8x1	16	7,4	11	Steel, galvanized	7	0.015
401-004-512	CONNECTING PIECE ST D 4,0 M10x1,0K ZN	4	M10x1 tap.	M8x1	25	7,4	11	Steel, galvanized	14	0.031
404-040K	CONNECTING PIECE ST D 4,0 R1/8K ZN	4	R 1/8	M8x1	16	6	11	Steel, galvanized	7	0.015
404-040K-US	CONNECTING PIECE ST D 4,0 1/8NPTF ZN	4	1/8 NPTF	M8x1	20	6,7	11	Steel, galvanized	10	0.022
404-054K	CONNECTING PIECE ST D 4,0 R1/4K ZN	4	R 1/4	M8x1	14	9	14	Steel, galvanized	11	0.024
404-072	CONNECTING PIECE ST D 4,0 1/4 28UNF ZN	4	1/4-28 UNF	M8x1	20	5,6	11	Steel, galvanized	9	0.02
401-004-903	CONNECTING PIECE ST D 4,0 1/4BSF ZN	4	1/4 BSF	M8x1	20	5	11	Steel, galvanized	9	0.02
401-004-904	CONNECTING PIECE ST D 4,0 3/16BSF ZN	4	1/16 BSF	M8x1	18	5	11	Steel, galvanized	7	0.015
406-004K	CONNECTING PIECE ST D 6,0 M10x1,0K ZN	6	M10x1 tap.	M10x1	23	7,4	14	Steel, galvanized	20	0.044
456-004K	CONNECTING PIECE ST D 6,0 R1/8K ZN	6	R 1/8	M10x1	21	6	14	Steel, galvanized	15	0.033
406-054K	CONNECTING PIECE ST D 6,0 R1/4K ZN	6	R 1/4	M10x1	20	9	17	Steel, galvanized	22	0.049

¹⁾Tapered thread according to DIN 158. short, resp. according to DIN 2999.

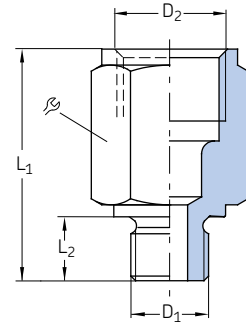
Solderless pipe union with tapered sleeve

Connectors with cylindrical thread
acc. to DIN 71428

Order number	Designation	Tube		L ₁	L ₂	⌀	Material	Weight		
		∅	D ₁					D ₂	g	lb
		mm	mm	mm	mm	mm				
Steel, galvanized										
402-004	CONNECTING PIECE ST D 2,5 M 6 ZN	2,5	M6	M6x0,75	13	5,5	9	Steel, galvanized	3	0.007
402-003	CONNECTING PIECE ST D 2,5 M 6x0,75 ZN	2,5	M6x0,75	M6x0,75	13	5,5	9	Steel, galvanized	3	0.007
402-006	CONNECTING PIECE ST D 2,5 M 8x1,0 ZN	2,5	M8x1	M6x0,75	15	7,5	11	Steel, galvanized	7	0.015
404-004	CONNECTING PIECE ST D 4,0 M 8x1,0 ZN	4	M8x1	M8x1	24	14	11	Steel, galvanized	9	0.02
404-005	CONNECTING PIECE ST D 4,0 M 8x1,0 ZN	4	M8x1	M8x1	32	22	11	Steel, galvanized	14	0.031
404-061	CONNECTING PIECE ST D 4,0 M 5 ZN	4	M5	M8x1	20	5,5	11	Steel, galvanized	9	0.02
404-063	CONNECTING PIECE ST D 4,0 M 8 ZN	4	M8	M8x1	22	8	11	Steel, galvanized	10	0.022
404-003	CONNECTING PIECE ST D 4,0 M 8x1,0 ZN	4	M8x1	M8x1	18	7,5	11	Steel, galvanized	6	0.013
404-006	CONNECTING PIECE ST D 4,0 M10x1,0 ZN	4	M10x1	M8x1	18	7,5	14	Steel, galvanized	13	0.029
404-040	CONNECTING PIECE ST D 4,0 G1/8A ZN	4	G 1/8A	M8x1	18	8	14	Steel, galvanized	13	0.029
404-162	CONNECTING PIECE ST D 4,0 M12x1,0 ZN	4	M12x1	M8x1	18	9	17	Steel, galvanized	19	0.042
404-164	CONNECTING PIECE ST D 4,0 M14x1,5 ZN	4	M14x1,5	M8x1	18	9	17	Steel, galvanized	21	0.046
406-158	CONNECTING PIECE ST D 8,0 M 8x1,0 ZN	6	M8x1	M10x1	23	7,5	14	Steel, galvanized	38	0.084
406-004	CONNECTING PIECE ST D 8,0 M10x1 ZN	6	M10x1	M10x1	18	7,5	14	Steel, galvanized	10	0.022
406-162	CONNECTING PIECE ST D 8,0 M12x1,0 ZN	6	M12x1	M10x1	19	9	17	Steel, galvanized	18	0.04
406-054	CONNECTING PIECE ST D 8,0 G1/4A ZN	6	G 1/4A	M10x1	20	10	17	Steel, galvanized	20	0.044
301-005	CONNECTING PIECE ST D 8,0 M14x1,5 ZN	6	M14x1,5	M10x1	18	9	17	Steel, galvanized	18	0.04
406-166	CONNECTING PIECE ST D 8,0 M16x1,5 ZN	6	M16x1,5	M10x1	19	9	19	Steel, galvanized	28	0.062
406-055	CONNECTING PIECE ST D 8,0 G3/8A ZN	6	G 3/8A	M10x1	21	10	22	Steel, galvanized	41	0.09
408-004	CONNECTING PIECE ST 8 - M10x1 ZN	8	M10x1	M14x1,5	28	7,5	17	Steel, galvanized	25	0.055
408-154	CONNECTING PIECE ST 8 - G1/8AZN	8	G 1/8A	M14x1,5	29	8	17	Steel, galvanized	26	0.057
408-160	CONNECTING PIECE ST 8 - G1/4AZN	8	G 1/4A	M14x1,5	30	16	17	Steel, galvanized	22	0.049
408-162	CONNECTING PIECE ST 8 - M12x1 ZN	8	M12x1	M14x1,5	29	9	17	Steel, galvanized	26	0.057
301-020	CONNECTING PIECE ST 8 - G1/4AZN	8	G 1/4A	M14x1,5	23	10	17	Steel, galvanized	16	0.035
301-001	CONNECTING PIECE ST 8 - M14x1,5 ZN	8	M14x1,5	M14x1,5	26	9	17	Steel, galvanized	23	0.051
408-005	CONNECTING PIECE ST 8 - M16x1,5 ZN	8	M16x1,5	M14x1,5	22	9	19	Steel, galvanized	30	0.066
408-006	CONNECTING PIECE ST 8 - M18x1,5 ZN	8	M18x1,5	M14x1,5	22	10	22	Steel, galvanized	40	0.088
408-022	CONNECTING PIECE ST 8 - M22x1,5 ZN	8	M22x1,5	M14x1,5	24	12	27	Steel, galvanized	71	0.157
Brass										
267-001.17	CONNECTING PIECE MS 6 - G1/4A ZN	6	G 1/8A	M10x1	24	8	14	Brass	18	0.04
406-163	CONNECTING PIECE MS 6 - M12x1 ZN	6	M12x1	M10x1	19	9	17	Brass	20	0.044
D301-005-MS	CONNECTING PIECE MS 6 - M14x1,5 ZN	6	M14x1,5	M10x1	20	9	17	Brass	24	0.053
406-167	CONNECTING PIECE MS 6 - M16x1,5 ZN	6	M16x1,5	M10x1	19	9	19	Brass	31	0.068
267-001.19	CONNECTING PIECE MS 6 - M18x1,5 ZN	6	M18x1,5	M10x1	21	10	22	Brass	71	0.157
D408-004-MS	CONNECTING PIECE ST D 8,0 M10x1 ZN	8	M10x1	M14x1,5	29	7,5	17	Brass	29	0.064
D301-001-MS	CONNECTING PIECE MS 8 - M14x1,5	8	M14x1,5	M14x1,5	28	9	17	Brass	29	0.064
D301-020-MS	CONNECTING PIECE MS 8 - G1/4A	8	G 1/4A	M14x1,5	30	10	17	Brass	30	0.066
267-001.13	CONNECTING PIECE MS 8 - G1/8A	8	G 1/8A	M14x1,5	24	12	27	Brass	71	0.157
Stainless steel										
301-005-S3	CONNECTING PIECE VA 6 - M14x1,5 ZN	6	M14x1,5	M10x1	18	9	17	Stainless steel	19	0.042
406-004-S3	CONNECTING PIECE VA 6 - M10x1,0 ZN	6	M10x1	M10x1	18	7,5	14	Stainless steel	10	0.022
406-158-S3	CONNECTING PIECE VA 6 - M 8x1,0 ZN	6	M8x1	M10x1	23	7,5	14	Stainless steel	15	0.033
301-020-S3	CONNECTING PIECE VA 8 - G1/4A	8	G 1/4A	M14x1,5	23	10	17	Stainless steel	17	0.037

Solderless pipe union with tapered sleeve

Connectors with cylindrical thread acc. to DIN 71428



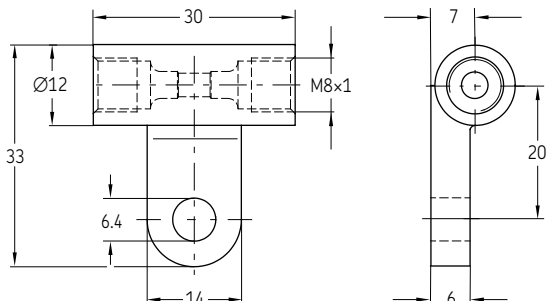
Tapered sleeve unions

Order number	Designation	Tube		L ₁	L ₂	β	Material	Weight		
		∅	D ₁					D ₂	g	lb
		mm	mm	mm	mm	mm				
410-160	CONNECTING PIECE ST D10,0 M10x1,0 ZN	10	M10x1	M16x1,5	30	7.5	19	Steel, galvanized	32	0.071
410-162	CONNECTING PIECE ST D10,0 M12x1,0 ZN	10	M12x1	M16x1,5	31	9	19	Steel, galvanized	30	0.066
410-163	CONNECTING PIECE ST D10,0 G1/4A ZN	10	G 1/4 A	M16x1,5	30	10	19	Steel, galvanized	30	0.066
410-164	CONNECTING PIECE ST D10,0 M14x1,5 ZN	10	M14x1,5	M16x1,5	29	9	19	Steel, galvanized	30	0.066
410-169	CONNECTING PIECE ST D10,0 G1/4A ZN	10	G 1/4 A	M16x1,5	52	16	19	Steel, galvanized	32	0.071
410-004	CONNECTING PIECE ST D10,0 M16x1,5 ZN	10	M16x1,5	M16x1,5	23	9	19	Steel, galvanized	21	0.046
410-018	CONNECTING PIECE ST D10,0 M18x1,5 ZN	10	M18x1,5	M16x1,5	24	10	22	Steel, galvanized	37	0.082
410-171	CONNECTING PIECE ST D10,0 G1/2A ZN	10	G 1/2 A	M16x1,5	24	12	27	Steel, galvanized	58	0.128
410-022	CONNECTING PIECE ST D10,0 M22x1,5 ZN	10	M22x1,5	M16x1,5	24	12	27	Steel, galvanized	64	0.141
412-162	CONNECTING PIECE ST D12,0 M12x1,0 ZN	12	M12x1	M18x1,5	35	9	22	Steel, galvanized	52	0.115
412-163	CONNECTING PIECE ST D12,0 G1/4A ZN	12	G 1/4 A	M18x1,5	35	10	22	Steel, galvanized	51	0.112
412-164	CONNECTING PIECE ST D12,0 M14x1,5 ZN	12	M14x1,5	M18x1,5	33	9	22	Steel, galvanized	46	0.101
412-169	CONNECTING PIECE ST D12,0 G1/4A ZN	12	G 1/4 A	M18x1,5	41	16	22	Steel, galvanized	49	0.108
412-004	CONNECTING PIECE ST D12,0 M18x1,5 ZN	12	M18x1,5	M18x1,5	24	10	22	Steel, galvanized	28	0.062
412-014	CONNECTING PIECE ST D12,0 M22x1,5 ZN	12	M22x1,5	M18x1,5	26	12	27	Steel, galvanized	63	0.139

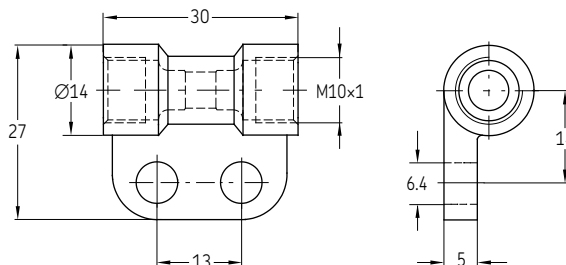
Solderless pipe union with tapered sleeve

Bracketed connectors

504-004

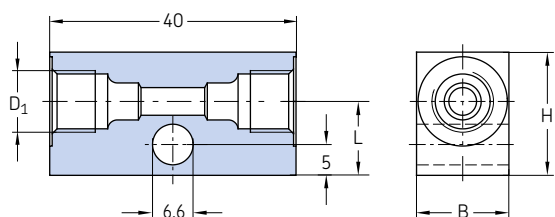


506-010

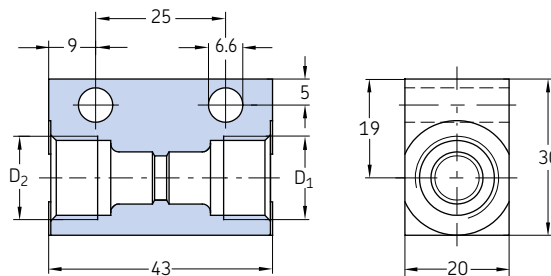


Order number	Designation	Tube Ø	Material	Weight	
				g	lb
Die-cast zinc 504-004	TUBE FITTING ZN G4+BRACKET	4	Die-cast zinc	26	0.06
Brass 506-010	TUBE FITTING MS G6+BRACKET	6	Brass	30	0.07

DAR506, DAR508



DAR510, DAR510-S1

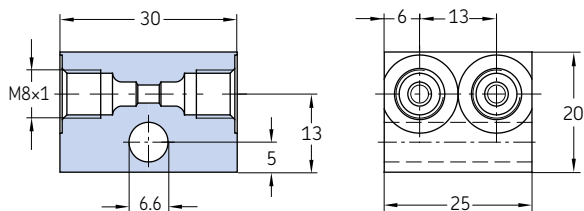


Order number	Designation	Tube Ø	D ₁	D ₂	B	H	L ₁	Material	Weight	
									mm	mm
Aluminum DAR506	TUBE FITTING AL G6+BRACKET M10x1,0	6	M10x1	-	15	20	12	Aluminum	26	0.06
DAR508	TUBE FITTING AL G8+BRACKET M14x1,5	8	M14x1,5	-	20	25	15	Aluminum	41	0.09
Steel, galvanized DAR510	TUBE FITTING ST G10+BRACKET M16x1,5 ZN	10	M16x1,5	M16x1,5	-	-	-	Steel, galvanized	140	0.31
DAR510-S1	TUBE FITTING ST G8/10+BRACKET M14x1,5 ZN	8/10	M14x1,5	M16x1,5	-	-	-	Steel, galvanized	150	0.33

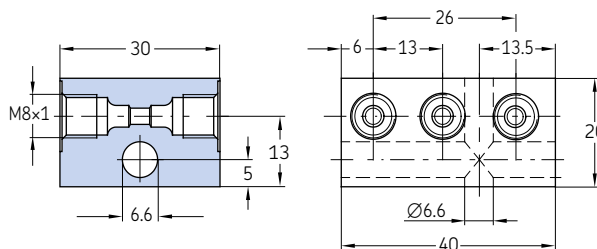
Solderless pipe union with tapered sleeve

Bracketed connectors

DAR524

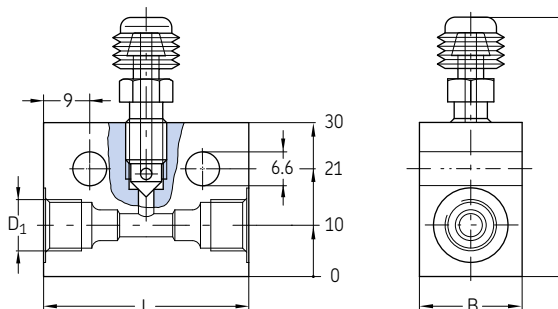


DAR534



Order number	Designation	TubeØ	Material	Weight	
				g	lb
DAR524	TUBE FITTING ST 2xG4+BRACKET ZN	4	Steel, galvanized	90	0.2
DAR534	TUBE FITTING ST 3xG4+BRACKET ZN	4	Steel, galvanized	150	0.33

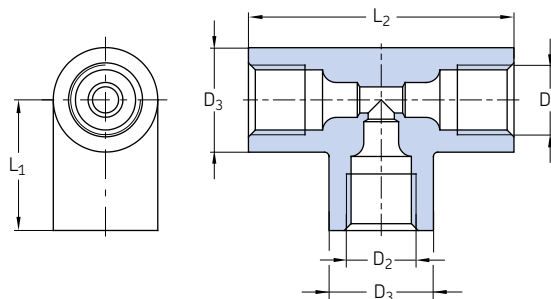
Tube-to-tube connector with air vent acc. to DIN 3862



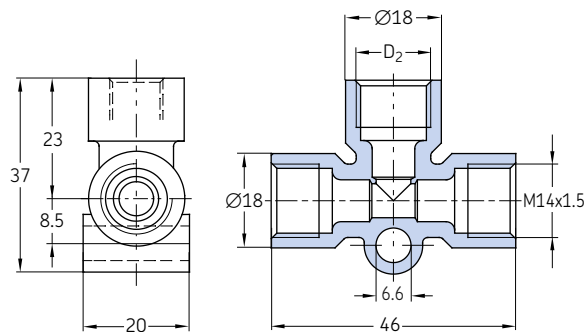
Order number	Designation	TubeØ	D ₁	B	H	L ₁	Material	Weight	
								g	lb
995-001-104	TUBE FITTING AL G4 M 8x1,0 VENT.DEVICE	4	M8x1	20	50	40	Aluminum	68	0.15
995-001-106	TUBE FITTING AL G6 M10x1,0 VENT.DEVICE	6	M10x1	20	50	40	Aluminum	49	0.11

Solderless pipe union with tapered sleeve

T-connectors acc. to DIN 71433



Order number	Designation	TubeØ	D ₁	D ₂	D ₃	L ₁	L ₂	Form	Material	Weight	
										mm	mm
504-008	TUBE FITTING ZN T4 M 8x1,0	4	M8x1	M8x1	12	15	30,5	A	Die-cast zinc	20	0.04
506-008	TUBE FITTING ZN T6 M10x1,0	6	M10x1	M10x1	14	18	36	A	Die-cast zinc	31	0.07
510-102	TUBE FITTING ZN T10 M16x1,5	10	M16x1,5	M16x1,5	20	25	50	A	Die-cast zinc	62	0.14
506-408	TUBE FITTING ZN TR6/4 M10x1,0	6/4	M10x1	M8x1	14	18	36	B	Die-cast zinc	33	0.07

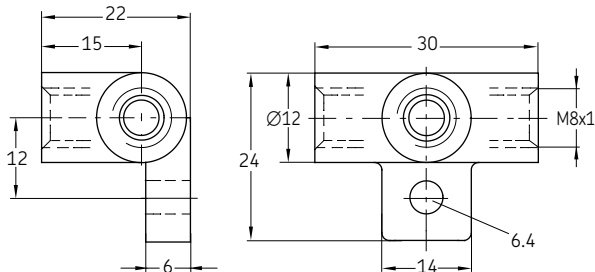


Order number	Designation	TubeØ	D ₂	Form	Material	Weight	
						mm	mm
508-602-2	TUBE FITTING ZN TR8/6	8/6	M10x1	B	Die-cast zinc	58	0.13
508-002-2	TUBE FITTING ZN TR8	8	M14x1,5	A	Die-cast zinc	50	0.11

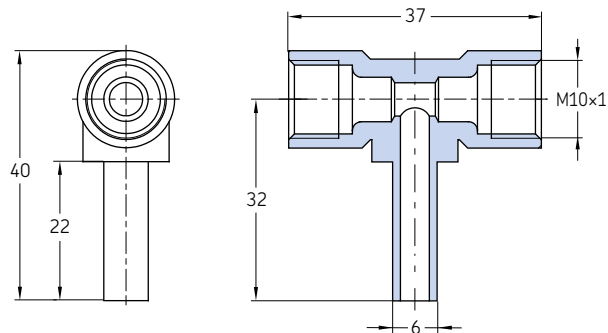
Solderless pipe union with tapered sleeve

T-connectors acc. to DIN 71433

504-045

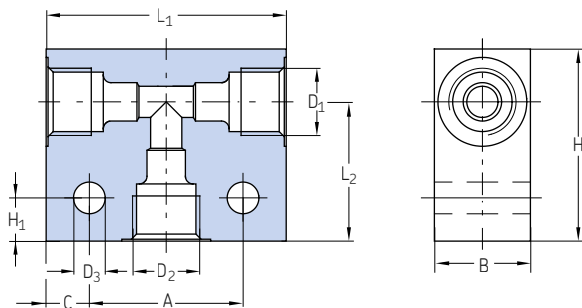


DY964

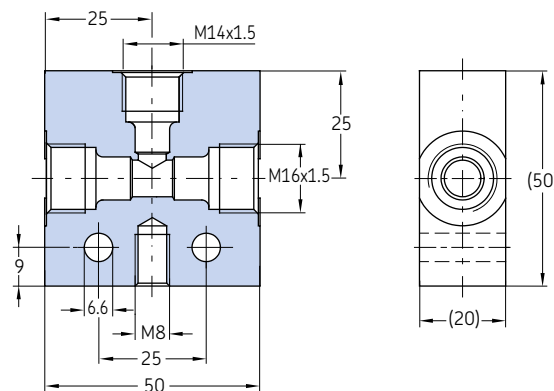


Order number	Designation	Tube Ø	Material	Weight	
				g	lb
504-045	TUBE FITTING ZN T4	4	Die-cast zinc	26	0.06
DY964	TUBE FITTING MST 6	6	Brass	38	0.08

DAT506 – DAT510



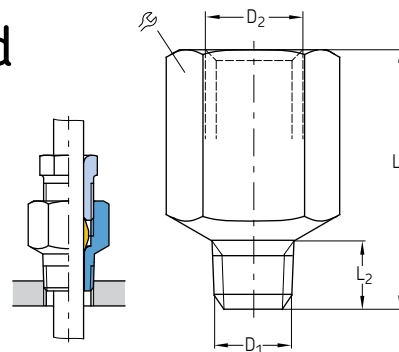
DAT510-S1



Order number	Designation	Tube Ø	D ₁	D ₂	D ₃	A	B	C	H	H ₁	L ₁	L ₂	Form	Material	Weight	
															g	lb
Aluminum																
DAT506	TUBE FITTING AL T6 M10x1,0	6	M10x1	M10x1	6,6	22	20	9	30	9	40	20	A	Aluminum	55	0.12
DAT508	TUBE FITTING AL T8 M14x1,5	8	M14x1,5	M14x1,5	6,6	32	20	9	40	9	50	29	A	Aluminum	90	0.2
DAT512	TUBE FITTING AL T12 M18x1,5	12	M18x1,5	M18x1,5	6,6	42	25	9	40	9	60	29	A	Aluminum	123	0.27
DAT510-S5	TUBE FITTING AL T6 M16x1,5	6	M16x1,5	M10x1	7	25	25	13,5	40	15	52	29	B	Aluminum	120	0.26
Steel, galvanized																
DAT510	TUBE FITTING ST T10 M16x1,5	10	M16x1,5	M16x1,5	7	25	20	13,5	40	15	52	29	A	Steel, galvanized	230	0.51
DAT510-S1	TUBE FITTING ST TR10/8/10 ZN	8 (1x), 10 (2x)	M16x1,5	M14x1,5	6,6	25	20	12,5	50	9	50	25	B	Steel, galvanized	306	0.67

Solderless pipe union with tapered sleeve

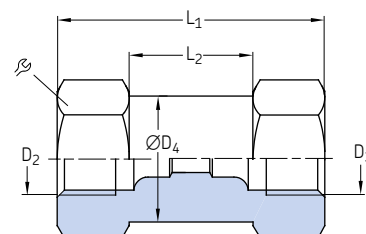
Bulkhead connectors with tapered thread



Order number	Designation	Tube Ø	Tube					Material	Weight	
			D ₁ ¹⁾	D ₂	L ₁	L ₂	Ø		g	lb
		mm	mm	mm	mm	mm	mm			
404-003DK	ADAPTER ST 4 M 8x1,0 ZN	4	M8x1 tap.	M8x1	17	7,4	11	Steel, galvanized	6	0.013
404-006DK	ADAPTER ST 4 M10x1,0 ZN	4	M10x1 tap.	M8x1	16	7,4	11	Steel, galvanized	7	0.015
406-004DK	ADAPTER ST 6 M10x1,0 ZN	6	M10x1 tap.	M10x1	18	7,4	14	Steel, galvanized	10	0.022
301-001DK	ADAPTER ST 8 M14x1,5 ZN	8	M14x1,5 tap.	M14x1,5	24	11	17	Steel, galvanized	19	0.042
410-004DK	ADAPTER ST10 M16x1,5 ZN	10	M16x1,5 tap.	M16x1,5	24	11	19	Steel, galvanized	22	0.049

¹⁾ Tapered thread according to DIN 158 tap, short.

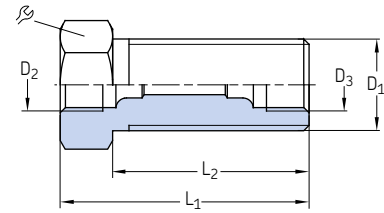
Tube-to-tube connectors



Order number	Designation	Tube Ø	Tube					Material	Weight		
			D ₂	D ₃	ØD ₄	L ₁	L ₂		Ø	g	lb
		mm	mm	mm	mm	mm	mm	mm			
404-010	TUBE FITTING ST G 4 ZN	4	M8x1	M8x1	10,8	27	13	11	Steel, galvanized	14	0.03
406-010	TUBE FITTING ST G 6 ZN	6	M10x1	M10x1	13,8	30	10	14	Steel, galvanized	25	0.06
406-805	TUBE FITTING ST GR 6/8 ZN	6/8	M14x1,5	M10x1	16,8	35	11	17	Steel, galvanized	43	0.09
408-010	TUBE FITTING ST G 8 ZN	8	M14x1,5	M14x1,5	16,8	40	14	17	Steel, galvanized	40	0.09
410-010	TUBE FITTING ST G 10 ZN	10	M16x1,5	M16x1,5	18,8	42	13	19	Steel, galvanized	54	0.12
412-010	TUBE FITTING ST G 12 ZN	12	M18x1,5	M18x1,5	21,8	48	18	22	Steel, galvanized	85	0.19

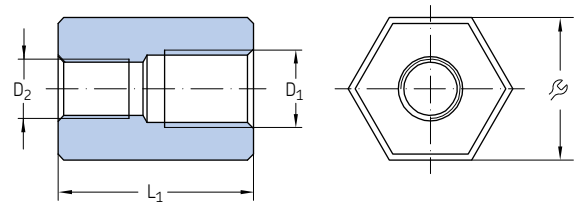
Solderless pipe union with tapered sleeve

Straight bulkhead fittings acc. to DIN 71429



Order number	Designation	Tube Ø	D ₁ ¹⁾	D ₂	D ₃	L ₁	L ₂	⌀	Material	Weight	
										mm	mm
404-008	TUBE FITTING ST SV 4 M14x1,5 ZN	4	M14x1,5	M8x1	M8x1	27	19	17	Steel, galvanized	30	0.07
404-009	TUBE FITTING ST SV 4 M14x1,5 ZN	4	M14x1,5	M8x1	M8x1	38	30	17	Steel, galvanized	39	0.09
406-008	TUBE FITTING ST SV 6 M14x1,5 ZN	6	M14x1,5	M10x1	M10x1	30	20	17	Steel, galvanized	30	0.07
406-005	TUBE FITTING ST SV 6/8 M16x1,5 ZN	6/8	M16x1,5	M14x1,5	M10x1	35	23	19	Steel, galvanized	38	0.08
408-008	TUBE FITTING ST SV 8 M20x1,5 ZN	8	M20x1,5	M14x1,5	M14x1,5	40	28	24	Steel, galvanized	75	0.17
410-008	TUBE FITTING ST SV10 M20x1,5 ZN	10	M20x1,5	M16x1,5	M16x1,5	42	27	24	Steel, galvanized	73	0.16
412-008	TUBE FITTING ST SV12 M24x1,5 ZN	12	M24x1,5	M18x1,5	M18x1,5	48	33	27	Steel, galvanized	114	0.25

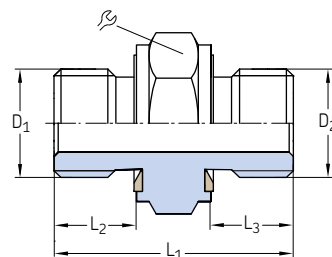
Reducing piece



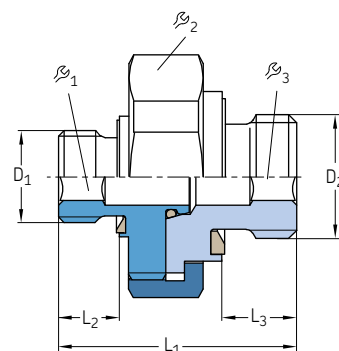
Order number	Designation	Tube Ø	D ₁	D ₂	L ₁	⌀	Material	Weight	
								mm	mm
44-1755-2019	TB.STUD RED ST 4 G1/4 xM10x1 SW24 ZN	4	G 1/4	M10x1	33	24	Steel, galvanized	100	0.22

Solderless pipe union with tapered sleeve

Threaded sockets



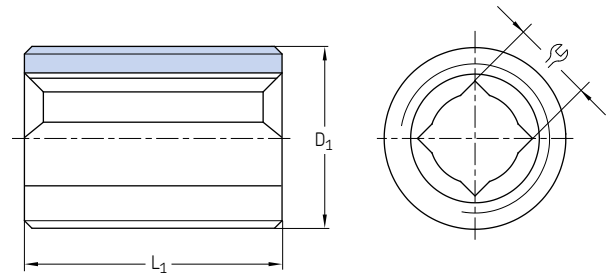
Order number	Designation	D ₁	D ₂	L ₁	L ₂	L ₃	ϕ	Seals	Material	Weight	
										mm	mm
402-116-161	THREADED PIECE ST L29 G1/4A ZN	G 1/4 A	G 1/4 A	29	10	10	19	NBR	Steel, galvanized	30	0.07
402-116-165	THREADED PIECE ST L37 G1/2 ZN	G 1/2	G 1/2	37	10	12	32	NBR	Steel, galvanized	100	0.22



Order number	Designation	D ₁	D ₂	L ₁	L ₂	L ₃	ϕ ₁	ϕ ₂	ϕ ₃	Seals	Material	Weight	
												mm	mm
Steel, galvanized													
995-014-014	CONNECTOR ST G1/4A-G1/4A ZN	G 1/4 A	G 1/4 A	26	8	8	4	24	5	NBR	Steel, galvanized	40	0.09
Brass													
995-340-000	CONNECTOR MS M10x1,M10x1	M10×1	M10×1	19,5	6,5	6,5	4	16	4	FKM	Brass	13	0.03
995-340-350	CONNECTOR MS M10x1,M12x1	M10×1	M12×1	21	6,5	7,2	4	19	5	FKM	Brass	20	0.04
995-350-000	CONNECTOR MS M12x1,M12x1	M12×1	M12×1	21,5	7	7,2	5	19	5	FKM	Brass	20	0.04
995-340-000-S8	CONNECTOR MS M10x1,M10x1	M10×1	M10×1	19,5	6,5	6,5	4	16	4	FKM	Brass	13	0.03
995-340-350-S8	CONNECTOR MS M10x1,M12x1	M10×1	M12×1	21	6,5	7,2	4	19	5	FKM	Brass	18	0.04
995-350-000-S8	CONNECTOR MS M12x1,M12x1	M12×1	M12×1	21,5	7	7,2	5	19	5	FKM	Brass	22	0.05

Solderless pipe union with tapered sleeve

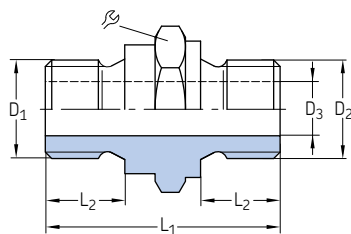
Threaded sockets



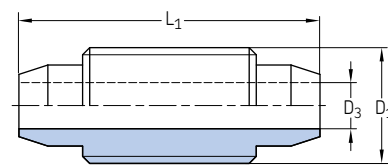
Order number	Designation	D ₁	L ₁	ϕ	Material	Weight	
						mm	mm
Steel							
404-203	THREADED PIECE ST L13 M 8x1,0	M8x1	13	3,5	Steel	3	0.007
406-203	THREADED PIECE ST L15 M10x1,0	M10x1	15	3,5	Steel	6	0.013
406-243-B ¹⁾	THREADED PIECE ST L18 M10x1,0	M10x1	18	3,5	Steel	7	0.015
408-243-B ¹⁾	THREADED PIECE ST L19 M12x1,0	M12x1	19	5,5	Steel	9	0.02
458-012	THREADED PIECE ST L17 M12x1,0	M12x1	17	5,5	Steel	8	0.018
458-012-B ¹⁾	THREADED PIECE ST L17 M12x1,0	M12x1	17	5,5	Steel	8	0.018
408-023	THREADED PIECE ST L18 M14x1,5	M14x1,5	18	5,5	Steel	13	0.029
410-003	THREADED PIECE ST L19 M16x1,5	M16x1,5	19	7	Steel	16	0.035
410-003-B ¹⁾	THREADED PIECE ST L19 M16x1,5	M16x1,5	19	7	Steel	17	0.037
Stainless steel							
408-033-S3	THREADED PIECE VA L15 G1/4A	G 1/4 A	15	5,5	Stainless steel	9	0.02

¹⁾ Coated with microencapsulated adhesive

406-103, 408-103, 853-750-024



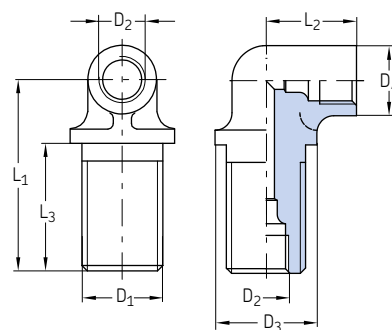
406-233



Order number	Designation	D ₁	D ₂	D ₃	L ₁	L ₂	ϕ	Material	Weight	
									mm	mm
Steel, galvanized										
406-103	THREADED PIECE ST L20 M10x1,0xM12x1,0 ZN	M10x1	M12x1	5	20	6	14	Steel, galvanized	14	0.03
408-103	THREADED PIECE ST L21 M12x1,0xM14x1,5 ZN	M12x1	M14x1,5	6	21	7	17	Steel, galvanized	21	0.05
853-750-024	THREADED PIECE ST L31 G1/4Ax G1/4A ZN	G 1/4 A	G 1/4 A	7	31	10,5	19	Steel, galvanized	29	0.06
Brass										
406-233	THREADED PIECE MS L26 M10x1,0	M10x1	-	4	26	-	-	Brass	8	0.02

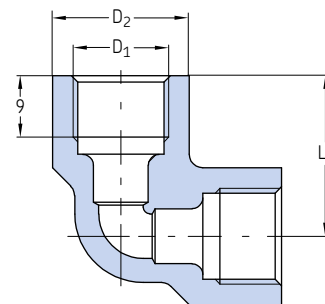
Solderless pipe union with tapered sleeve

Elbow bulkhead fittings acc. to DIN 71429



Order number	Designation	Tube Ø	Tube				L ₁	L ₂	L ₃	Material	Weight	
			D ₁	D ₂	D ₃	D ₄					g	lb
Die-cast zinc 504-003	TUBE FITTING ZN WSV 4 M14x1,5	4	M14x1,5	M8x1	18	12	33	16	22	Die-cast zinc	30	0.07
Brass 504-103	TUBE FITTING MS WSV 4 M14x1,5	4	M14x1,5	M8x1	18	12	33	18	22	Brass	46	0.1
506-004	TUBE FITTING MS WSV 6 M14x1,5	6	M14x1,5	M10x1	16,5	14	27	17,5	15	Brass	41	0.09

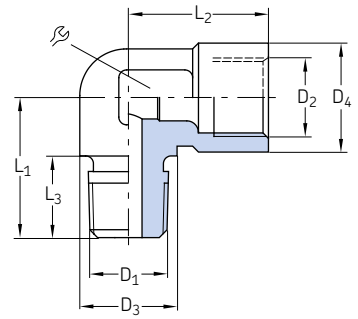
Elbows with cylindrical thread acc. to DIN 71433



Order number	Designation	Tube Ø	Tube			Material	Weight	
			D ₁	D ₂	L ₁		g	lb
408-013	TUBE FITTING ZN WSV 4 M14x1,5	8	M14x1,5	20	23,5	Die-cast zinc	40	0.09
410-013	TUBE FITTING ZN WSV 6 M14x1,5	10	M16x1,5	21	26	Die-cast zinc	58	0.13

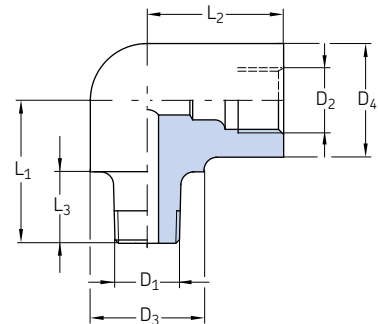
Solderless pipe union with tapered sleeve

Elbows with tapered thread acc. to DIN 71429



Order number	Designation	Tube		D ₂	D ₃	D ₄	L ₁	L ₂	L ₃	☉	Material	Weight	
		∅	D ₁ ¹⁾									g	lb
504-510K	ELBOW PIPE ZN 4 M10x1,0K 4	M10x1 tap.	M8x1	13	13	21	16	10	14	☉	Die-cast zinc	24	0.05
514-018K	ELBOW PIPE ZN 4 R1/8K 4	R 1/8	M8x1	13	13	21	16	10	14	☉	Die-cast zinc	23	0.05
506-508K	ELBOW PIPE ZN 6 M 8x1,0K 6	M8x1 tap.	M10x1	12,5	14	18	18	10,5	14	☉	Die-cast zinc	18	0.04
506-510K	ELBOW PIPE ZN 6 M10x1,0K 6	M10x1 tap.	M10x1	12,5	14	18	18	10,5	14	☉	Die-cast zinc	20	0.04
506-512K	ELBOW PIPE ZN 6 M12x1,0K 6	M12x1 tap.	M10x1	12,5	14	18	18	10,5	14	☉	Die-cast zinc	21	0.05
508-512K	ELBOW PIPE ZN 8 M12x1,0K 8	M12x1 tap.	M14x1,5	14	19,5	19,5	24	10	14	☉	Die-cast zinc	34	0.07

¹⁾ Tapered thread according to DIN 158 tap. short, resp. according to DIN 2999.

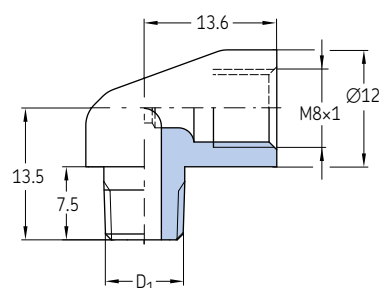


Order number	Designation	Tube		D ₂	D ₃	D ₄	L ₁	L ₂	L ₃	Material	Weight	
		∅	D ₁ ¹⁾								g	lb
Steel												
502-206K	ELBOW PIPE ST 2,5 M 6K	2,5	M6 tap.	M6x0,75	–	8	10	9,5	6	Steel	6	0.01
403-006-651	ELBOW PIPE ST 6 R1/4K	6	R 1/4	M10x1	14	14	17	17,5	8,5	Steel	32	0.07
Brass												
506-202K	ELBOW PIPE MS 6 M10x1,0K	6	M10x1 tap.	M10x1	17	17	22	21	11	Brass	60	0.13

¹⁾ Tapered thread according to DIN 158 tap. short, resp. according to DIN 2999.

Solderless pipe union with tapered sleeve

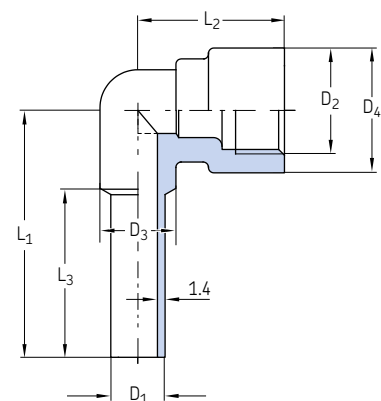
Elbows with tapered thread acc. to DIN 71429



Order number	Designation	Tube Ø	D ₁ ¹⁾	Material	Weight	
					g	lb
504-200K	ELBOW PIPE MS 4 M 6K	4	M6 tap.	Brass	14	0.03
504-201K	ELBOW PIPE MS 4 M 8x1,0K	4	M8x1 tap.	Brass	20	0.04
504-202K	ELBOW PIPE MS 4 M10x1,0K	4	M10x1 tap.	Brass	16	0.04
504-203K	ELBOW PIPE MS 4 M 6x0,75K	4	M6x0.75 tap.	Brass	14	0.03
514-018K-S1	ELBOW PIPE MS 4 R1/8K	4	R 1/8	Brass	20	0.04

1) Tapered thread according to DIN 158. short, resp. according to DIN 2999.

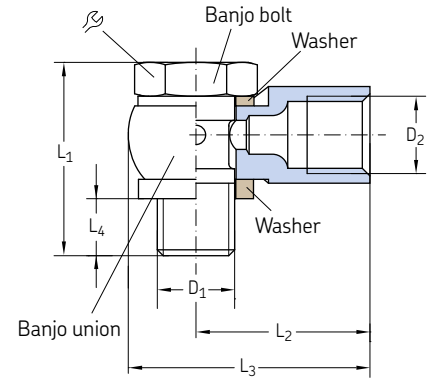
Elbows with tube end for pipe union for installation in counterbores acc. to DIN 3854/DIN 3862



Order number	Designation	Tube Ø	D ₁	D ₂	D ₃	D ₄	L ₁	L ₂	L ₃	Material	Weight	
											g	lb
DY958	ELBOW PIPE MS D6	6	6	M10x1	8	14	30,8	21	22	Brass	23	0.05
DY960	ELBOW PIPE MS D8	8	8	M14x1,5	11	18	37	24,5	27	Brass	37	0.08
DY961	ELBOW PIPE MS D10	10	10	M16x1,5	15	23	42,5	26,5	29	Brass	73	0.16
DY962	ELBOW PIPE MS D12	12	12	M18x1,5	15	23	46	26,5	32	Brass	62	0.14

Solderless pipe union with tapered sleeve

Banjo fittings acc. to DIN 71430 Form A

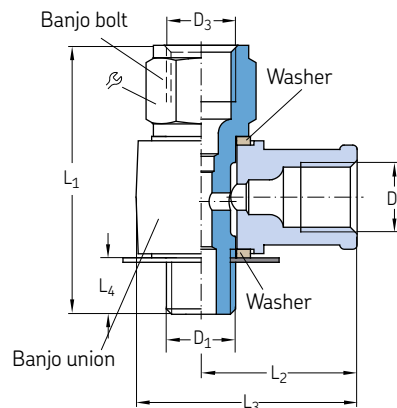


Order number	Designation	Tube		L ₁	L ₂	L ₃	L ₄	Banjo bolt	Banjo union	Banjo union	Weight (total)				
		∅	D ₁									D ₂	Material	Material	g
502-161 ¹⁾	TUBE FITTING SWVE 2,5 M 6	2,5	M6	M6×0,75	20	13	19	4,5	9	502-056	Steel, galv.	502-051	Steel, galv.	11	0.02
502-101 ¹⁾	TUBE FITTING SWVE 2,5 M 6x0,75	2,5	M6×0,75	M6×0,75	18	13	19	5	9	502-053	Steel, galv.	502-051	Steel, galv.	10	0.02
502-102 ¹⁾	TUBE FITTING SWVE 2,5 M 8x1,0	2,5	M8×1	M6×0,75	20	14	21	6,5	11	502-054	Steel, galv.	502-052	Steel, galv.	15	0.03
504-161 ¹⁾	TUBE FITTING SWVE 4 M 6	4	M6	M8×1	20	17	24	4,1	9	502-056	Steel, galv.	504-651	Steel, galv.	15	0.03
504-162 ¹⁾	TUBE FITTING SWVE 4 M 6x0,75	4	M6×0,75	M8×1	18	17	24	4,5	9	502-053	Steel, galv.	504-651	Steel, galv.	14	0.03
504-411 ¹⁾	TUBE FITTING SWVE 4 M 8	4	M8	M8×1	23	18	25	7,5	11	502-154	Steel, galv.	504-851	Steel, galv.	20	0.04
504-401 ¹⁾	TUBE FITTING SWVE 4 M 8x1,0	4	M8×1	M8×1	20	18	25	7	11	502-054	Steel, galv.	504-851	Steel, galv.	17	0.04
504-101	TUBE FITTING SWVE 4 M 8x1,0	4	M8×1	M8×1	26	18	25	6,5	11	504-073	Steel, galv.	504-072	Die-cast zinc	23	0.05
504-102	TUBE FITTING SWVE 4 M10x1,0	4	M10×1	M8×1	26	19	27,5	6,5	14	504-054	Steel, galv.	504-052	Die-cast zinc	30	0.07
504-108	TUBE FITTING SWVE 4 G1/8A	4	G 1/8A	M8×1	27	19	27,5	6,8	14	504-027	Steel, galv.	504-052	Die-cast zinc	32	0.07
506-140	TUBE FITTING SWVE 6 M10x1,0	6	M10×1	M10×1	26	21	28,5	6,5	14	504-054	Steel, galv.	506-033	Die-cast zinc	33	0.07
506-142	TUBE FITTING SWVE 6 M12x1,0	6	M12×1	M10×1	34	25	35,2	7,5	17	558-012	Steel, galv.	506-030	Die-cast zinc	60	0.13
506-012	TUBE FITTING SWVE 6 M14x1,5	6	M14×1,5	M10×1	34	25	35,2	7,5	17	508-006	Steel, galv.	506-005	Die-cast zinc	60	0.13
506-145	TUBE FITTING SWVE 6 M16x1,5	6	M16×1,5	M10×1	35	30	41	8,7	19	510-017	Steel, galv.	506-034	Die-cast zinc	90	0.20
506-108	TUBE FITTING SWVE 6 G1/8A	6	G 1/8A	M10×1	27	21	28,5	7	14	504-027	Steel, galv.	506-033	Die-cast zinc	33	0.07
506-214	TUBE FITTING SWVE 6 G1/4A	6	G 1/4A	M10×1	35	25	35,2	8,5	17	508-023	Steel, galv.	506-005	Die-cast zinc	60	0.13
508-142	TUBE FITTING SWVE 8 M12x1,0	8	M12×1	M14×1,5	34	27	37	7,5	17	558-012	Steel, galv.	508-030	Die-cast zinc	63	0.14
508-144	TUBE FITTING SWVE 8 M14x1,5	8	M14×1,5	M14×1,5	34	27	37	7,5	17	508-006	Steel, galv.	508-007	Die-cast zinc	61	0.13
508-145	TUBE FITTING SWVE 8 M16x1,5	8	M16×1,5	M14×1,5	35	30	41	8,7	19	510-017	Steel, galv.	508-054	Die-cast zinc	80	0.18
508-024	TUBE FITTING SWVE 8 G1/4A	8	G 1/4A	M14×1,5	35	27	37	8,5	17	508-023	Steel, galv.	508-007	Die-cast zinc	59	0.13
510-142	TUBE FITTING SWVE 10 M12x1,0	10	M12×1	M16×1,5	34	30	40	7,5	17	558-012	Steel, galv.	510-041	Die-cast zinc	70	0.15
510-145	TUBE FITTING SWVE 10 M16x1,5	10	M16×1,5	M16×1,5	35	30	41	10,7	19	510-017	Steel, galv.	510-044	Die-cast zinc	80	0.18
510-024	TUBE FITTING SWVE 10 G1/4A	10	G 1/4A	M16×1,5	35	30	40	7,5	17	508-023	Steel, galv.	510-023	Die-cast zinc	65	0.14

¹⁾ Miniature design, banjo union steel

Solderless pipe union with tapered sleeve

Banjo fittings acc. to DIN 71430 Form B

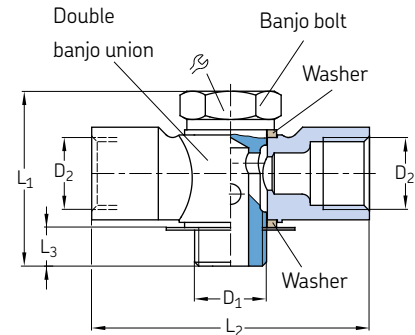


Order number	Designation	Tube									Banjo bolt	Ma- terial	Banjo union	Ma- terial	Weight (total)	
		∅	D ₁	D ₂	D ₃	L ₁	L ₂	L ₃	L ₄	g					lb	
		mm	mm	mm	mm	mm	mm	mm	mm							
504-114	TUBE FITTING LE 4 M 8x1,0	4	M8x1	M8x1	M8x1	31	18	25,5	6,5	11	504-075	1)	504-072	2)	24	0.05
504-115	TUBE FITTING LE 4 M10x1,0	4	M10x1	M8x1	M8x1	31	19	27,5	6,5	14	504-056	1)	504-052	2)	34	0.07
504-105	TUBE FITTING LE 4/6 M10x1,0	4/6	M10x1	M8x1	M10x1	33	19	27,5	6,5	14	506-056	1)	504-052	2)	34	0.07
405-619-061	TUBE FITTING LE 4/6 G1/8A	4/6	G 3/8 A	M8x1	M10x1	33	19	27,5	6,3	14	402-606-191	1)	504-052	2)	33	0.07
506-114	TUBE FITTING LE 6 M10x1,0	6	M10x1	M10x1	M10x1	33	21	28,5	6,3	14	506-006	1)	506-033	2)	35	0.08
506-342	TUBE FITTING LE 6 M12x1,0	6	M12x1	M10x1	M10x1	38	25	35,2	7,5	17	558-612	1)	506-030	2)	62	0.14
506-101	TUBE FITTING LE 6 M14x1,5	6	M14x1,5	M10x1	M10x1	40	25	35,2	7,5	17	508-303	1)	506-005	2)	70	0.15
586-342	TUBE FITTING LE 6/8 M12x1,0	6/8	M12x1	M10x1	M14x1,5	44	25	35,2	7,5	17	558-812	1)	506-030	2)	64	0.14
506-013	TUBE FITTING LE 6/8 M14x1,5	6/8	M14x1,5	M10x1	M14x1,5	43	25	35,2	7,5	17	508-008	1)	506-005	2)	61	0.13
506-345	TUBE FITTING LE 6/10 M12x1,0	6/10	M12x1	M10x1	M16x1,5	48,5	25	35	7,7	19	558-912	1)	506-030	2)	77	0.17
506-346	TUBE FITTING LE 6/10 M16x1,5	6/10	M16x1,5	M10x1	M16x1,5	50	30	41	8,7	19	510-010	1)	506-034	2)	100	0.22
508-342	TUBE FITTING LE 8 M12x1,0	8	M12x1	M14x1,5	M14x1,5	44	27	37	7,5	17	558-812	1)	508-030	2)	67	0.15
508-012	TUBE FITTING LE 8 M14x1,5	8	M14x1,5	M14x1,5	M14x1,5	43	27	37	7,5	17	508-008	1)	508-007	2)	63	0.14
508-034	TUBE FITTING LE 8 G1/4A	8	G 3/4 A	M14x1,5	M14x1,5	44	27	37	7,5	17	508-033	1)	508-007	2)	65	0.14
568-342	TUBE FITTING LE 8/6 M12x1,0	8/6	M12x1	M14x1,5	M10x1	38	27	37	7,5	17	558-612	1)	508-030	2)	65	0.14
508-304	TUBE FITTING LE 8/6 M14x1,5	8/6	M14x1,5	M14x1,5	M10x1	40	27	37	7,5	17	508-303	1)	508-007	2)	66	0.15
508-345	TUBE FITTING LE 8/10 M12x1,0	8/10	M12x1	M14x1,5	M16x1,5	48,5	27	37	7,7	19	558-912	1)	508-030	2)	80	0.18
508-346	TUBE FITTING LE 8/10 M16x1,5	8/10	M16x1,5	M14x1,5	M16x1,5	50	30	41	8,7	19	510-010	1)	508-054	2)	93	0.21
510-342	TUBE FITTING LE 10 M12x1,0	10	M12x1	M16x1,5	M16x1,5	48,5	30	40	7,5	19	558-912	1)	510-041	2)	81	0.18
510-344	TUBE FITTING LE 10 M16x1,5	10	M16x1,5	M16x1,5	M16x1,5	50	30	41	8,7	19	510-010	1)	510-044	2)	89	0.20
510-343	TUBE FITTING LE 10 G1/4A	10	G 3/4 A	M16x1,5	M16x1,5	48,5	30	40	7,5	19	558-913	1)	510-023	2)	78	0.17
510-346	TUBE FITTING LE 10/6 M16x1,5	10/6	M16x1,5	M16x1,5	M10x1	50	30	41	8,7	19	506-018	1)	510-044	2)	96	0.21
510-341	TUBE FITTING LE 10/8 M12x1,0	10/8	M12x1	M16x1,5	M14x1,5	44	30	40	7,5	17	558-812	1)	510-041	2)	69	0.15

1) Steel, galvanized
2) Die-cast zinc

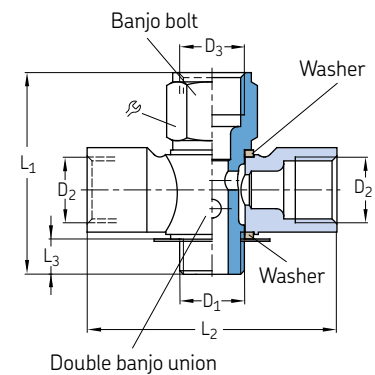
Solderless pipe union with tapered sleeve

Banjo fittings acc. to DIN 71430 Form C



Order number	Designation	Tube Ø	D ₁	D ₂	L ₁	L ₂	L ₃	Banjo bolt	Material	Double banjo union	Material	Weight (total)		
												mm	mm	mm
504-109	TUBE FITTING TH4 M 8x1,0	4	M8x1	M8x1	26	38	6,5	11	504-073	Steel, galv.	504-071	Die-cast zinc	31	0.07
504-112	TUBE FITTING TH4 M10x1,0	4	M10x1	M8x1	26	38	6,5	14	504-054	Steel, galv.	504-051	Die-cast zinc	35	0.08
506-242	TUBE FITTING TH6 M12x1,0	6	M12x1	M10x1	34	48	7,5	17	558-012	Steel, galv.	506-032	Die-cast zinc	71	0.16
506-025	TUBE FITTING TH6 M14x1,5	6	M14x1,5	M10x1	34	48	7,5	17	508-006	Steel, galv.	506-007	Die-cast zinc	70	0.15
508-242	TUBE FITTING TH8 M12x1,0	8	M12x1	M14x1,5	34	54	7,5	17	558-012	Steel, galv.	508-032	Die-cast zinc	77	0.17
508-013	TUBE FITTING TH8 M14x1,5	8	M14x1,5	M14x1,5	34	54	7,5	17	508-006	Steel, galv.	508-005	Die-cast zinc	77	0.17
508-025	TUBE FITTING TH8 G1/4A	8	G 1/4A	M14x1,5	35	54	7,5	17	508-023	Steel, galv.	508-005	Die-cast zinc	77	0.17
510-242	TUBE FITTING TH10 M12x1,0	10	M12x1	M16x1,5	34	60	7,5	17	558-012	Steel, galv.	510-042	Die-cast zinc	83	0.18

Banjo fittings acc. to DIN 71430 Form D

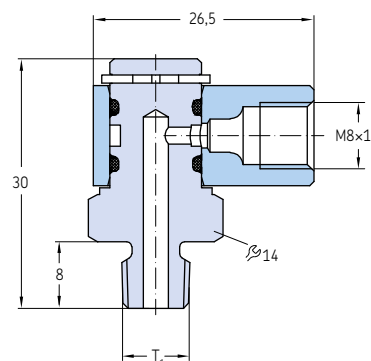


Order number	Designation	Tube Ø	D ₁	D ₂	D ₃	L ₁	L ₂	L ₃	Banjo bolt	Material	Double banjo union	Material	Weight (total)		
													mm	mm	mm
504-110	TUBE FITTING TH4 M 8x1,0	4	M8x1	M8x1	M8x1	31	38	6,5	11	504-071	1)	504-071	2)	32	0.07
504-111	TUBE FITTING TH4 M10x1,0	4	M10x1	M8x1	M8x1	31	38	6,5	14	504-056	1)	504-051	2)	37	0.08
504-106	TUBE FITTING TH4/6 M10x1,0	4/6	M10x1	M8x1	M10x1	33	38	6,5	14	506-006	1)	504-051	2)	37	0.08
506-442	TUBE FITTING TH6 M12x1,0	6	M12x1	M10x1	M10x1	38	48	7,5	17	558-612	1)	506-032	2)	70	0.15
506-014	TUBE FITTING TH6 M14x1,5	6	M14x1,5	M10x1	M10x1	40	48	7,5	17	508-303	1)	506-007	2)	73	0.16
586-442	TUBE FITTING TH6/8 M12x1,0	6/8	M12x1	M10x1	M14x1,5	44	48	7,5	17	558-812	1)	506-032	2)	72	0.16
506-026	TUBE FITTING TH6/8 M14x1,5	6/8	M14x1,5	M10x1	M14x1,5	43	48	7,5	17	508-008	1)	506-007	2)	70	0.15
508-442	TUBE FITTING TH8 M12x1,0	8	M12x1	M14x1,5	M14x1,5	44	54	7,5	17	558-812	1)	508-032	2)	68	0.15
508-014	TUBE FITTING TH8 M14x1,5	8	M14x1,5	M14x1,5	M14x1,5	43	54	7,5	17	508-008	1)	508-005	2)	79	0.17
568-442	TUBE FITTING TH8/6 M12x1,0	8/6	M12x1	M14x1,5	M10x1	38	54	7,5	17	558-612	1)	508-032	2)	80	0.18
508-305	TUBE FITTING TH8/6 M14x1,5	8/6	M14x1,5	M14x1,5	M10x1	40	54	7,5	17	508-303	1)	508-005	2)	90	0.20
510-442	TUBE FITTING TH10 M12x1,0	10	M12x1	M16x1,5	M16x1,5	48,5	60	7,5	19	558-912	1)	210-042	2)	99	0.22

1) Steel, galvanized
2) Die-cast zinc

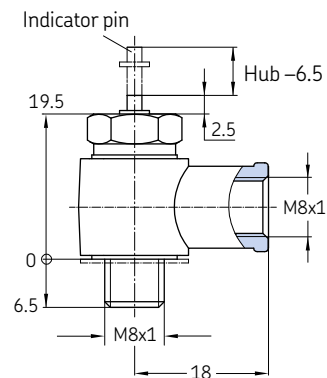
Solderless pipe union with tapered sleeve

Banjo fittings, rotatable



Order number	Designation	Tube ØD	Thread T ₁	Thread ₂	Speed max.	Oil pressure max.		Air pressure max.		Material	Weight	
						bar	psi	bar	psi		g	lb
405-549-049	BANJO FITTING MOVABLE M 8x1A x M8I 4	4	M8x1 tap.	M8x1	1	45	650	-	-	Brass	41	0.09
405-551-049	BANJO FITTING MOVABLE M10x1A x M8I 4	4	M10x1tap.	M8x1	1	45	650	-	-	Brass	40	0.09

Banjo fitting with indicator pin for lubricant distributor

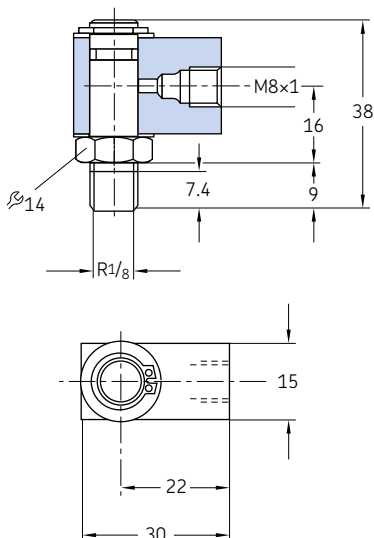


Order number	Designation	Tube Ø	Material	Weight	
				g	lb
169-200-008	TUBE FITTING SWVE 4 M 8x1,0+K	4	Steel, galvanized	24	0.05

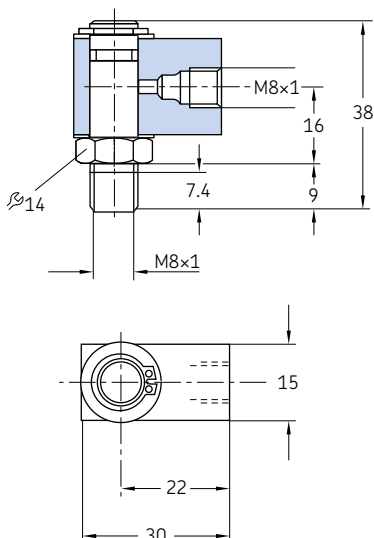
Solderless pipe union with tapered sleeve

Rotating joints

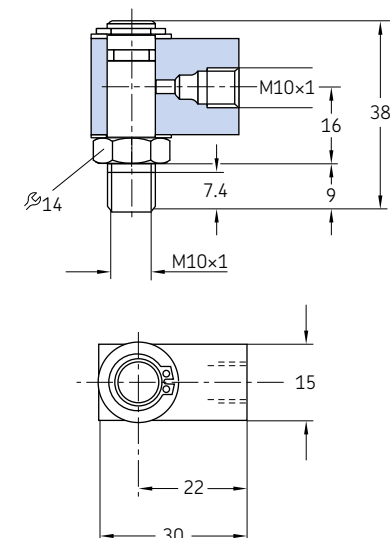
401-504-192



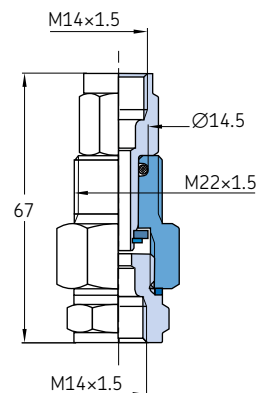
401-504-292



401-506-313



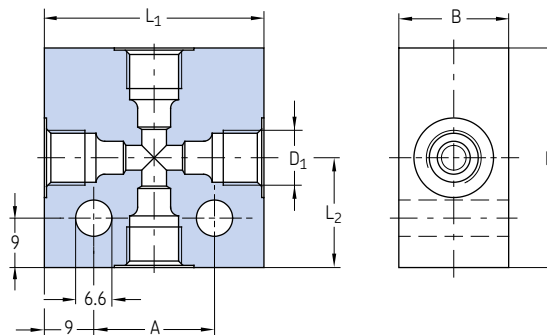
Order number	Designation	Tube ØD mm	Thread ₁ mm	Thread ₂ mm	Speed max. min ⁻¹	Oil pressure max.		Air pressure max.		Material	Weight	
						bar	psi	bar	psi		g	lb
401-504-192	ROTATING JOINT MS 4 G1/8	4	G 1/8	M8x1	100	30	435	8	116	Brass	81	0.18
401-504-292	ROTATING JOINT MS 4 M 8x1	4	M8x1	M8x1	100	30	435	8	116	Brass	80	0.18
401-506-313	ROTATING JOINT MS 6 M10x1	6	M10x1	M10x1	100	30	435	8	116	Brass	77	0.17



Order number	Designation	Tube ØD mm	Thread ₁ mm	Thread ₂ mm	Speed max. min ⁻¹	Oil pressure max.		Air pressure max.		Material	Weight	
						bar	psi	bar	psi		g	lb
408-120	ROTATING JOINT ST 8 M14x1,5	8	M14x1,5	M14x1,5	20	10	145	-	-	Steel	200	0.44

Solderless pipe union with tapered sleeve

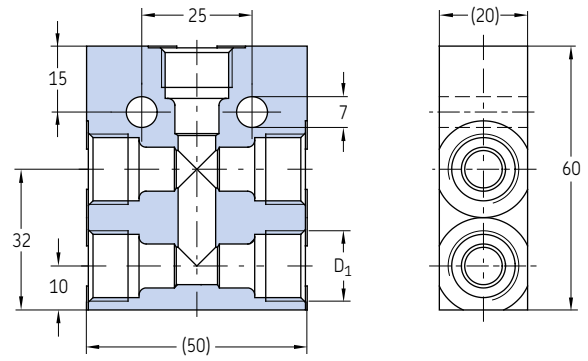
Cross joints



Order number	Designation	Tube		A	B	H	L ₁	L ₂	Material	Weight	
		Ø	D ₁							g	lb
		mm	mm	mm	mm	mm	mm	mm			
DAK504-S1	TUBE FITTING AL K4/6 M10x1,M8x1,0	4/6	M10x1/ M8x1	22	20	40	40	20	Aluminum	78	0.17
DAK506	TUBE FITTING AL K6 M10x1,0	6	M10x1	22	20	40	40	20	Aluminum	75	0.17
DAK508	TUBE FITTING AL K8 M14x1,5	8	M14x1,5	32	20	50	50	25	Aluminum	110	0.24
DAK510	TUBE FITTING AL K10 M16x1,5	10	M16x1,5	25	20	56	50	28	Aluminum	115	0.25
DAK512	TUBE FITTING AL K12 M18x1,5	12	M18x1,5	42	25	60	60	30	Aluminum	194	0.43

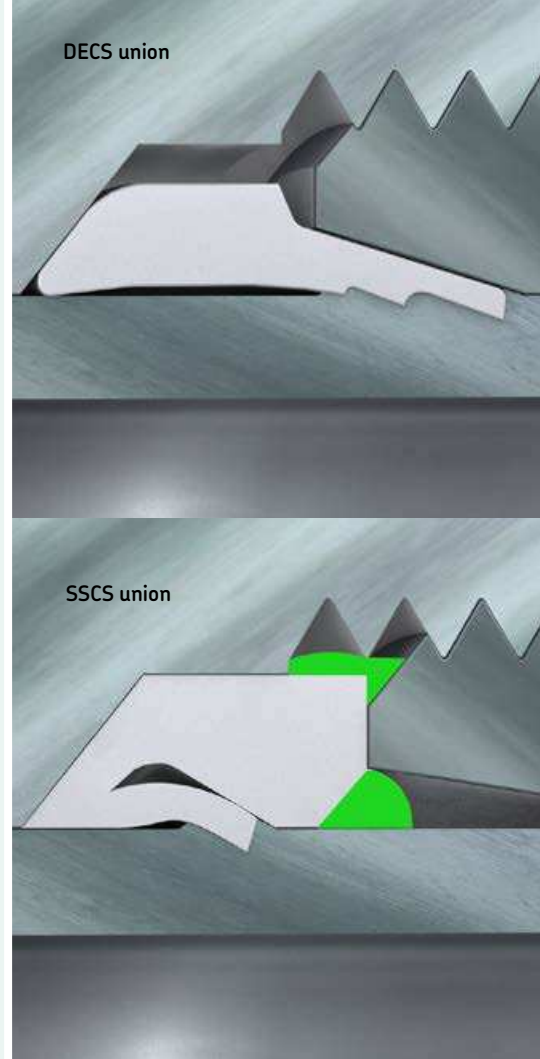
Solderless pipe union with tapered sleeve

Cross joints



Order number	Designation	Tube Ø	D ₁	Material	Weight	
		mm	mm		g	lb
DAK510-S1	TUBE FITTING ST K 10x5 M16x1,5 ZN	10	M16x1,5	Steel, galvanized	322	0.71

High-pressure cutting sleeve unions acc. to ISO 8334-1



Description

Solderless pipe fittings with cutting sleeves are designed for high-pressure oil, fluid grease and grease lubrication systems with pressures up to 400 bar and more with an operating temperature range from -25 to 80 °C. Depending on the operating pressure, the fittings are available in 3 pressure series: LL (very light), L (light) and S (heavy). The pipe connections, threads and pressure series are defined in DIN EN ISO 8434-1 (formerly DIN 2353).

In consideration of the application, the fittings are available in various materials (galvanized steel, stainless steel and brass).

Cutting sleeve fittings, also called bite-type fittings, are very popular due to simple assembly that requires only two wrenches. It is recognised for its high-pressure performance from a compact body. During assembly, the cutting ring forms, cutting edges into the tube that will remain after reassembly. The cutting ring can also be preassembled by a manual device or with the help of a tool.

Series

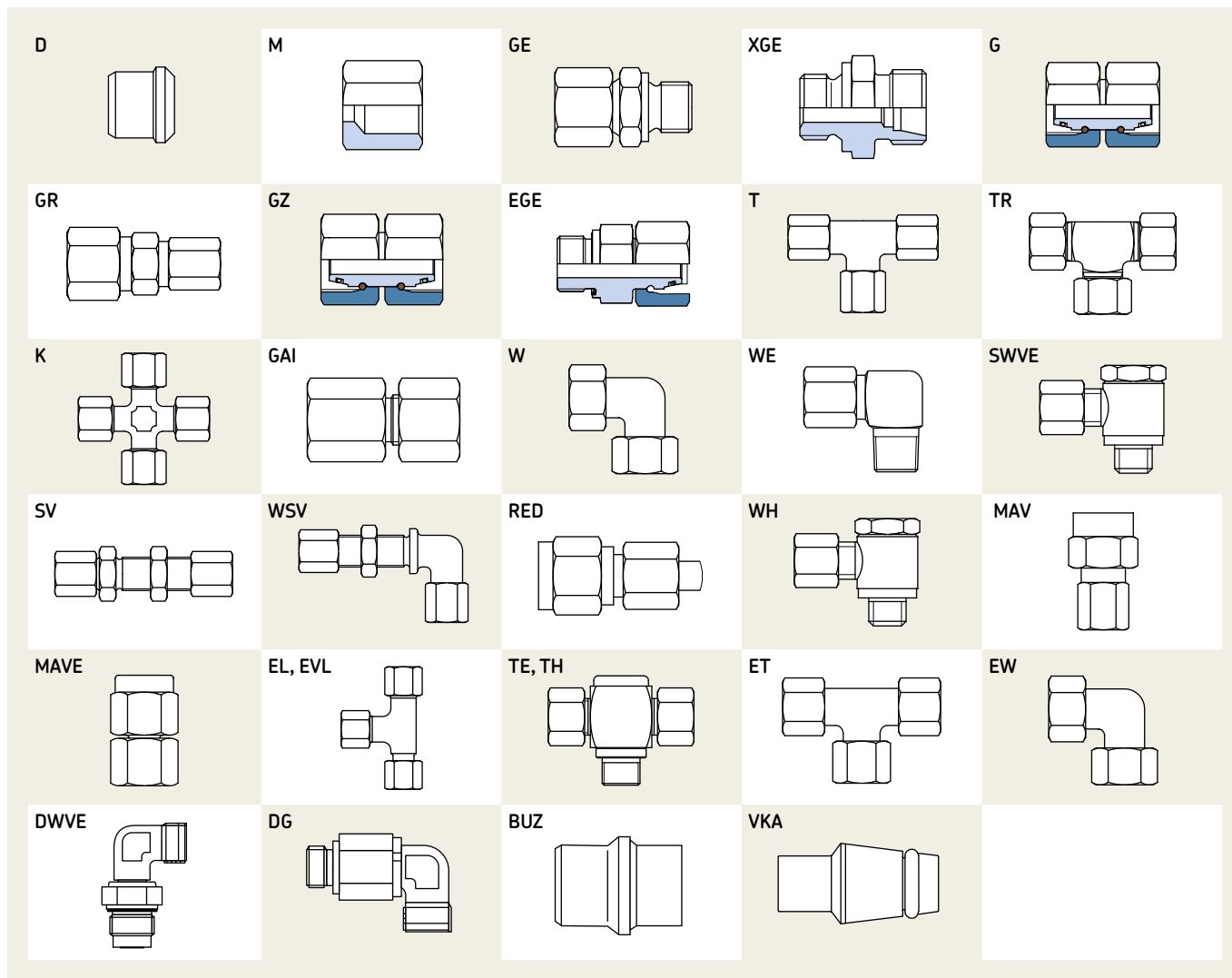
	LL	L	S		
Design	very light	light	rigid		
Tube diameter (mm)	4, 6, 8, 10, 12	6, 8, 10, 12, 15	22, 26	6, 8, 10, 12	16, 20, 30
Nominal pressure	100 bar <i>1 450 psi</i>	315 bar <i>4 568 psi</i>	160 bar <i>2 320 psi</i>	630 bar <i>9 137 psi</i>	400 bar <i>5 800 psi</i>
Operation pressure max.	200 bar <i>2 900 psi</i>	500 bar <i>7 250 psi</i>	250 bar <i>3 625 psi</i>	900 bar <i>13 053 psi</i>	420 bar <i>6 090 psi</i>
Space requirement	very small	small	large		
Lubrication systems	medium-pressure lubrication systems		high-pressure grease systems		
Typical applications	vehicles, machine tools, wind mills		presses, injection molding machines, heavy industry		

Types of cutting sleeve unions

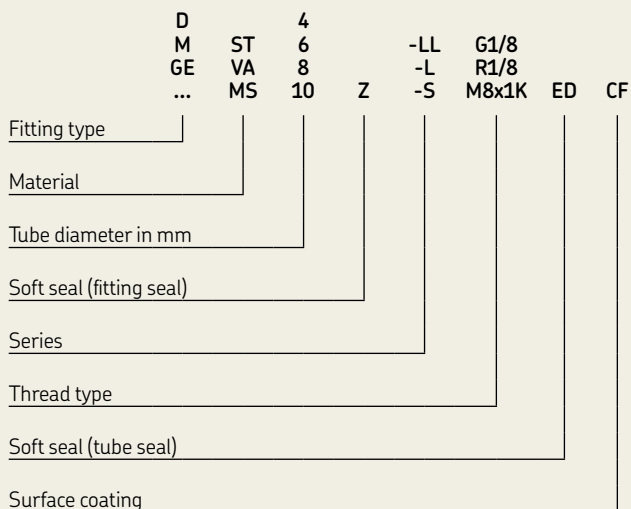
- Double-edged cutting sleeve union (DECS)
- Soft-seal cutting sleeve union (SSCS)

High-pressure cutting sleeve unions

Fitting types



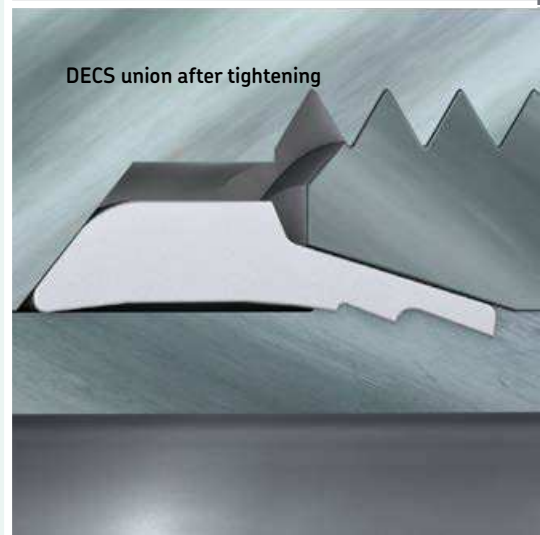
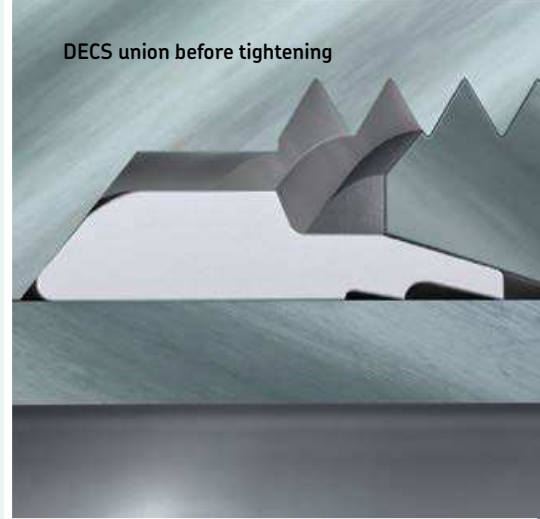
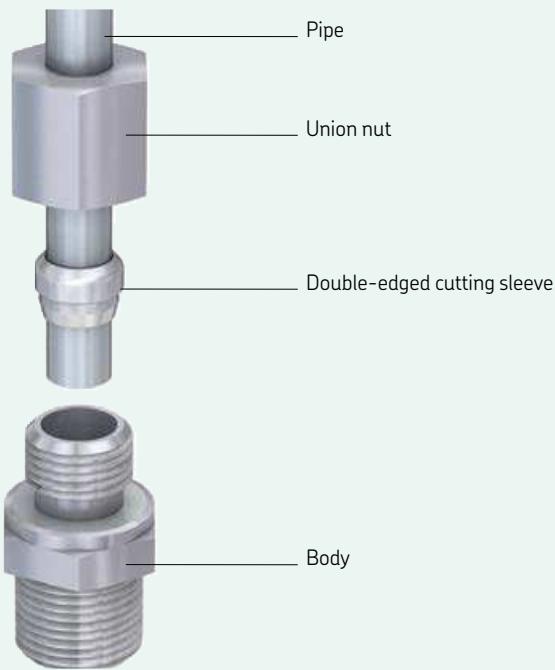
Nomenclature of fitting designations



Legend of fitting type abbreviations

- | | |
|--|--|
| D Cutting sleeve | MAVE Connectors for pressure gauge (adjustable) |
| M Union nuts | EL L-connectors adjustable |
| GE Straight screw-in connector | EVL Standpipe branch tee |
| XGE Straight screw-in gland | TE Screw-in T-connector |
| G Straight tube-to-tube connector | TH Screw-in T-connector (high-pressure) |
| GR Straight tube-to-tube reducing connector | ET Swivel nut branch tee |
| GZ Union stud | EW Swivel nut elbow |
| EGE Straight tube stud | DWVE Elbow male stud plain bearing rotary union |
| T T-connector | DG Elbow bulkhead ball bearing rotary union |
| TR T reducing connector | BUZ Blanking plug for cones |
| K K-connector | VKA Blanking plug for cones |
| GAI Female connector straight | |
| W Elbow connector | |
| WE Elbow screw-in connector | |
| SWVE Banjo fitting | |
| SV Straight bulkhead connector | |
| WSV Elbow bulkhead connector | |
| RED Reducing connectors | |
| WH Banjo fitting (high-pressure) | |
| MAV Connectors for pressure gauge | |

Double-edged cutting sleeve union (DECS)



Description

Double-edged cutting sleeve unions (DECS) consist of a union nut, a double-edged cutting sleeve and a body. To mount the union, the union nut and double-edged cutting sleeve must be placed on the pipe end. Both parts must be aligned as shown on the illustration above. Then the pipe can be pushed into the body before tightening the union nut. During this process, the double-edged cutting sleeve cuts into the pipe to seal the connection as shown in the illustration above.

The following must be considered when tightening the union:

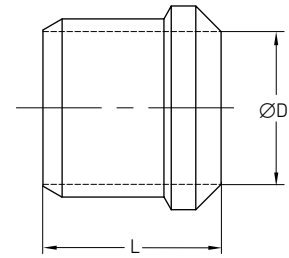
- Manual presetting – tighten the nut by 1 1/4 turns
- Final assembly – 1/4 turn after perceptible rise in force

Features and benefits

- Compact installation dimensions
- Virtually leakage-free, high-pressure union
- Recommended for high-pressure grease applications
- Suitable for thin and heavy pipes made from steel, stainless steel, copper and aluminum
- Common fitting system for high-pressure systems, especially for oil and grease lubrication
- Over-assembly protection through noticeable increase in force when tightening union nut
- Pipe vibration dampening resulting from pipe fixation during assembly (caused by DECS union)
- Wide operating temperature range from -25 to 80 °C

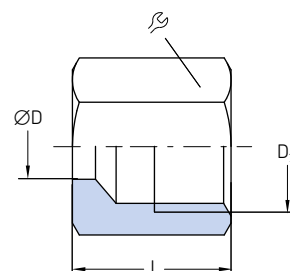
Double-edged cutting sleeve unions

Double-edged cutting sleeves D acc. to DIN 3861/ISO 8434-1



Order number	Designation	Series	Tube		Material	Operating pressure max.		Weight	
			ØD	L		bar	psi	g	lb
Steel, galvanized									
223-14083-3	CUTTING SLEEVE ST D 4-LL	LL	4	6	Steel, galvanized	100	1450	0,3	0.00
223-12295-2	CUTTING SLEEVE ST D 6-LL	LL	6	7	Steel, galvanized	100	1450	0,8	0.00
223-12295-5	CUTTING SLEEVE ST D 8-LL	LL	8	7	Steel, galvanized	100	1450	1	0.00
223-12295-9	CUTTING SLEEVE ST D 10-LL	LL	10	7	Steel, galvanized	100	1450	1,3	0.00
223-12295-3	CUTTING SLEEVE ST D 6-L/S	L/S	6	9,5	Steel, galvanized	250	3625	1	0.00
223-12295-6	CUTTING SLEEVE ST D 8-L/S	L/S	8	10	Steel, galvanized	250	3625	1,7	0.00
223-12295-8	CUTTING SLEEVE ST D 10-L/S	L/S	10	10	Steel, galvanized	250	3625	3,1	0.01
223-12296-1	CUTTING SLEEVE ST D 12-L/S	L/S	12	10,5	Steel, galvanized	250	3625	3,5	0.01
223-12296-9	CUTTING SLEEVE ST D 15-L	L	15	10	Steel, galvanized	160	2320	4,5	0.01
223-12583-1	CUTTING SLEEVE ST D 18-L	L	18	10,5	Steel, galvanized	160	2320	5,5	0.01
223-12296-8	CUTTING SLEEVE ST D 16-S	S	16	10	Steel, galvanized	400	5800	5,6	0.01
223-12296-3	CUTTING SLEEVE ST D 20-S	S	20	13	Steel, galvanized	400	5800	11,4	0.03
223-12296-5	CUTTING SLEEVE ST D 30-S	S	30	13	Steel, galvanized	400	5800	19,3	0.04
Stainless steel									
223-13639-5	CUTTING SLEEVE VA D 4-LL	LL	4	6	Stainless steel	100	1450	0,3	0.00
223-13639-3	CUTTING SLEEVE VA D 6-L/S	L/S	6	9,5	Stainless steel	250	3625	1	0.00
223-13639-2	CUTTING SLEEVE VA D 6-LL	LL	6	7	Stainless steel	100	1450	0,8	0.00
223-13639-1	CUTTING SLEEVE VA D 8-L/S	L/S	8	9,5	Stainless steel	250	3625	1,7	0.00
223-13639-4	CUTTING SLEEVE VA D 10-L/S	L/S	10	9,5	Stainless steel	250	3625	3,1	0.01
223-13639-9	CUTTING SLEEVE VA D 12-L/S	L/S	12	10	Stainless steel	250	3625	3,5	0.01
223-13639-7	CUTTING SLEEVE VA D 16-S	S	16	9,5	Stainless steel	400	5800	5,6	0.01
223-13639-8	CUTTING SLEEVE VA D 20-S	S	20	12,5	Stainless steel	400	5800	11,4	0.03
223-14092-5	CUTTING SLEEVE VA D 30-S	S	30	12,5	Stainless steel	400	5800	19,3	0.04
Zinc-nickel									
406-351	FERRULE ST D 6-LL Z3W	LL	6	7	Zinc-nickel	100	1450	1	0.00
408-351	FERRULE ST D 8-LL Z3W	LL	8	7	Zinc-nickel	100	1450	1	0.00
406-361	FERRULE ST D 6-L Z3W	L	6	11,5	Zinc-nickel	250	3625	2	0.00
408-361	FERRULE ST D 8-L Z3W	L	8	11,5	zinc-nickel	250	3625	2	0.00

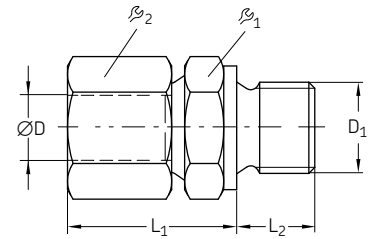
Double-edged cutting sleeve unions

Union nuts M
acc. to DIN 3861/ISO 8434-1

Order number	Designation	Series	Tube		L	Ø	Material	Operating pressure max.		Weight	
			ØD	D ₁				bar	psi	g	lb
			mm	mm	mm	mm					
Steel, galvanized											
223-13032-1	COUPLING NUT ST M 4-LL CF	LL	4	M8×1	11	10	Steel, galvanized	100	1 450	4	0.01
223-12374-9	COUPLING NUT ST M 6-LL CF	LL	6	M10×1	12	12	Steel, galvanized	100	1 450	6	0.01
223-13032-3	COUPLING NUT ST M 8-LL CF	LL	8	M12×1	12	14	Steel, galvanized	100	1 450	7	0.02
223-12374-6	COUPLING NUT ST M 10-LL CF	LL	10	M14×1	12,5	17	Steel, galvanized	100	1 450	11	0.02
223-12373-9	COUPLING NUT ST M 6-L CF	L	6	M12×1,5	14,5	14	Steel, galvanized	250	3 625	10	0.02
223-13032-4	COUPLING NUT ST M 8-L CF	L	8	M14×1,5	14,5	17	Steel, galvanized	250	3 625	15	0.03
223-13032-6	COUPLING NUT ST M 10-L CF	L	10	M16×1,5	16	19	Steel, galvanized	250	3 625	18	0.04
223-12373-2	COUPLING NUT ST M 12-L CF	L	12	M18×1,5	16	22	Steel, galvanized	250	3 625	25	0.06
223-12374-8	COUPLING NUT ST M 15-L CF	L	15	M22×1,5	18	27	Steel, galvanized	250	3 625	42	0.09
223-12374-7	COUPLING NUT ST M 18-L CF	L	18	M26×1,5	18	32	Steel, galvanized	250	3 625	62	0.14
223-13032-9	COUPLING NUT ST M 16-S CF	S	16	M24×1,5	20,5	30	Steel, galvanized	400	5 800	66	0.15
223-12373-6	COUPLING NUT ST M 20-S CF	S	20	M30×2	24	36	Steel, galvanized	400	5 800	102	0.22
223-12374-2	COUPLING NUT ST M 30-S CF	S	30	M42×2	29	50	Steel, galvanized	400	5 800	219	0.48
Zinc-nickel											
406-352	COUPLING NUT ST M 6-LLZ3W	LL	6	M10×1	11,5	12	Zinc-nickel	100	1 450	5	0.01
408-352	COUPLING NUT ST M 8-LLZ3W	LL	8	M12×1	12	14	Zinc-nickel	100	1 450	5	0.01
406-362	COUPLING NUT ST M 6-LZ3W	L	6	M12×1,5	14,5	14	Zinc-nickel	250	3 625	30	0.07
408-362	COUPLING NUT ST M 8-LZ3W	L	8	M14×1,5	14,5	17	Zinc-nickel	250	3 625	35	0.08
406-362	COUPLING NUT ST M 6-LZ3W	L	6	M12×1,5	14,5	14	Zinc-nickel	250	3 625	30	0.07
408-362	COUPLING NUT ST M 8-LZ3W	L	8	M14×1,5	14,5	17	Zinc-nickel	250	3 625	35	0.08
Stainless steel											
223-13638-6	COUPLING NUT VA M 4-LL	LL	4	M8×1	11	10	Stainless steel	100	1 450	4	0.01
223-13638-2	COUPLING NUT VA M 6-LL	LL	6	M10×1	12	12	Stainless steel	100	1 450	6	0.01
223-14082-5	COUPLING NUT VA M 6-L	L	6	M12×1,5	14,5	14	Stainless steel	250	3 625	10	0.02
223-13638-1	COUPLING NUT VA M 8-L	L	8	M14×1,5	14,5	17	Stainless steel	250	3 625	15	0.03
223-13638-3	COUPLING NUT VA M 10-L	L	10	M16×1,5	16	19	Stainless steel	250	3 625	18	0.04
223-14082-3	COUPLING NUT VA M 12-L	L	12	M18×1,5	16	22	Stainless steel	250	3 625	25	0.06
223-13638-7	COUPLING NUT VA M 16-S	S	16	M24×1,5	20,5	30	Stainless steel	400	5 800	66	0.15
223-13638-9	COUPLING NUT VA M 20-S	S	20	M30×2	24	36	Stainless steel	400	5 800	102	0.22
223-14082-6	COUPLING NUT VA M 30-S	S	30	M42×2	29	50	Stainless steel	400	5 800	219	0.48

Double-edged cutting sleeve unions

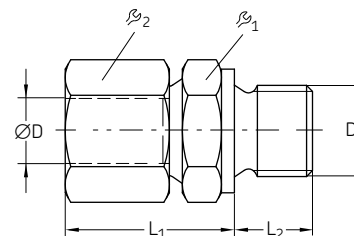
Straight screw-in connectors GE with metrical thread



Order number	Designation	Tube Series	Tube		L ₁	L ₂	ϕ ₁	ϕ ₂	Material	Operating pressure max.		Weight	
			ØD	D ₁						bar	psi	g	lb
Cylindrical thread													
223-10263-8	TB.FITT.ST GE 6-L M10x1 CF	L	6	M10x1	23	8	14	14	Steel, galvanized	315	4 570	40	0.09
223-12361-6	TB.FITT.ST GE 8-L M12x1,5 CF	L	8	M12x1,5	25	12	17	17	Steel, galvanized	315	4 570	40	0.09
223-14129-4	TB.FITT.ST GE10-L M14x1,5 CF	L	10	M14x1,5	26	12	19	19	Steel, galvanized	315	4 570	50	0.11
223-10313-2	TB.FITT.ST GE10-L M18x1,5 CF	L	10	M18x1,5	27	12	24	19	Steel, galvanized	315	4 570	71	0.16
412-423	TB.FITT.ST GE12-L M14x1,5 CF	L	12	M14x1,5	26	12	19	22	Steel, galvanized	315	4 570	60	0.13
412-403	TB.FITT.ST GE12-L M16x1,5 CF	L	12	M16x1,5	27	12	22	22	Steel, galvanized	315	4 570	70	0.15
412-433	TB.FITT.ST GE12-L M18x1,5 CF	L	12	M18x1,5	27	12	24	22	Steel, galvanized	315	4 570	77	0.17
415-403	TB.FITT.ST GE15-L M18x1,5 CF	L	15	M18x1,5	29	12	24	27	Steel, galvanized	250	3 626	97	0.21
415-413	TB.FITT.ST GE15-L M22x1,5 CF	L	15	M22x1,5	30	14	27	27	Steel, galvanized	250	3 626	100	0.22
418-403	TB.FITT.ST GE18-L M22x1,5 CF	L	18	M22x1,5	31	14	27	32	Steel, galvanized	250	3 626	143	0.32
223-11242-5	TB.FITT.ST GE18-L M18x1,5 CF	L	18	M18x1,5	30	12	27	32	Steel, galvanized	250	3 626	150	0.33
223-11242-4	TB.FITT.ST GE22-L M27x2 CF	L	22	M27x2	33	16	32	36	Steel, galvanized	160	2 320	160	0.35
223-14214-8	TB.FITT.ST GE28-L M33x2 CF	L	28	M33x2	34	18	41	41	Steel, galvanized	160	2 320	280	0.62
96-0335-0058	TB.FITT.ST GE35-L M42x2,0 CF	L	35	M42x2	39	20	50	50	Steel, galvanized	160	2 320	450	0.99
96-0342-0058	TB.FITT.ST GE42-L M48x2,0 CF	L	42	M48x2	42	22	55	60	Steel, galvanized	160	2 320	600	1.32
96-1206-0058	TB.FITT.ST GE 6-S M12x1,5K CF	S	6	M12x1,5	28	12	17	17	Steel, galvanized	800	11 600	30	0.07
408-413	TB.FITT.ST GE 8-S M14x1,5 CF	S	8	M14x1,5	30	12	19	17	Steel, galvanized	800	11 600	66	0.15
410-413	TB.FITT.ST GE10-S M16x1,5 CF	S	10	M16x1,5	31	12	22	22	Steel, galvanized	800	11 600	87	0.19
412-453	TB.FITT.ST GE12-S M18x1,5 CF	S	12	M18x1,5	33	12	24	24	Steel, galvanized	630	9 140	111	0.24
96-1214-0058	TB.FITT.ST GE14-S M20x1,5K CF	S	14	M20x1,5	37	14	27	17	Steel, galvanized	630	9 140	140	0.31
Tapered thread													
223-12533-5	TB.FITT.ST GE 4-LL M6x1 K CF	LL	4	M6x1 tap.	26	8	9	10	Steel, galvanized	100	1 450	12	0.03
223-12271-8	TB.FITT.ST GE 4-LL M8x1 K CF	LL	4	M8x1 tap.	26	8	10	10	Steel, galvanized	100	1 450	15	0.03
223-13069-1	TB.FITT.ST GE 4-LL M10x1 K CF	LL	4	M10x1 tap.	26	8	10	10	Steel, galvanized	100	1 450	16	0.04
223-12533-9	TB.FITT.ST GE 6-LL M6x1 K CF	LL	6	M6x1 tap.	26	8	11	12	Steel, galvanized	100	1 450	19	0.04
223-13023-1	TB.FITT.ST GE 6-LL M8x1 K CF	LL	6	M8x1 tap.	26	8	11	12	Steel, galvanized	100	1 450	20	0.04
223-12271-7	TB.FITT.ST GE 6-LL M10x1 K CF	LL	6	M10x1 tap.	26	8	11	12	Steel, galvanized	100	1 450	21	0.05
223-13021-1	TB.FITT.ST GE 8-LL M10x1,0K CF	LL	8	M10x1 tap.	28	8	12	14	Steel, galvanized	100	1 450	24	0.05
410-443	TB.FITT.ST GE10-L M10x1,0K CF	L	10	M10x1 tap.	25	9	19	17	Steel, galvanized	500	7 250	56	0.12
223-13658-7	TB.FITT.ST VA GE 6-LLM 6x1 K	LL	6	M6x1 tap.	26	8	11	12	Stainless steel	100	1 450	26	0.06
223-13658-6	TB.FITT.ST VA GE 6-LLM 8x1 K	LL	6	M8x1 tap.	26	8	11	12	Stainless steel	100	1 450	27	0.06
223-13658-5	TB.FITT.ST VA GE 6-LLM 10x1	LL	6	M10x1 tap.	26	8	11	12	Stainless steel	100	1 450	31	0.07
223-13715-1	TB.FITT.ST VA GE 6-LLM 10x1 K	LL	8	M10x1 tap.	28	8	12	14	Stainless steel	100	1 450	33	0.07
223-14184-5	TB.FITT.ST VA GE 8-LLM 10x1 K	L	6	M10x1	23	8	14	14	Stainless steel	100	1 450	31	0.07
410-403-53	TB.FITT.ST VA GE10-L M14x1,5K CF	L	10	M14x1,5	26	12	19	19	Stainless steel	315	4 570	24	0.05

Double-edged cutting sleeve unions

Straight screw-in connectors GE with Whitworth pipe thread

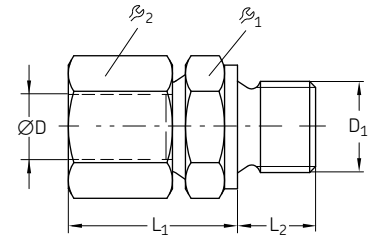


Order number	Designation	Series	Tube		L ₁	L ₂	r ₁	r ₂	Material	Operating pressure max.		Weight	
			ØD	D ₁						bar	psi	g	lb
Cylindrical thread													
223-13016-3	FITTING ST GE 6-L G 1/8 CF	L	6	G 1/8	23	8	14	14	Steel, galvanized	315	4 570	18	0.04
223-12477-8	FITTING ST GE 6-L G 1/4 CF	L	6	G 1/4	25	12	19	14	Steel, galvanized	315	4 570	35	0.08
223-13766-6	FITTING ST GE 6-L G 3/8 CF	L	6	G 3/8	26	12	22	14	Steel, galvanized	315	4 570	51	0.11
223-10814-2	FITTING ST GE 8-L G 1/8 CF	L	8	G 1/8	23	8	14	17	Steel, galvanized	315	4 570	24	0.05
223-12477-6	FITTING ST GE 8-L G 1/4 CF	L	8	G 1/4	25	12	19	17	Steel, galvanized	315	4 570	35	0.08
223-10080-3	FITTING ST GE 8-L G 3/8 CF	L	8	G 3/8	26	12	22	17	Steel, galvanized	315	4 570	53	0.12
408-453W	FITTING ST GE 8-L G 1/2 CF	L	8	G 1/2	27	14	27	17	Steel, galvanized	315	4 570	82	0.18
223-12272-9	FITTING ST GE 10-L G 1/4 CF	L	10	G 1/4	26	12	19	19	Steel, galvanized	315	4 570	41	0.09
223-14214-4	FITTING ST GE 10-L G 3/8 CF	L	10	G 3/8	27	12	22	19	Steel, galvanized	315	4 570	55	0.12
223-10313-7	FITTING ST GE 10-L G 1/2 CF	L	10	G 1/2	28	14	27	19	Steel, galvanized	315	4 570	83	0.18
223-12477-9	FITTING ST GE 12-L G 1/4 CF	L	12	G 1/4	27	12	19	22	Steel, galvanized	315	4 570	46	0.10
223-12360-8	FITTING ST GE 12-L G 3/8 CF	L	12	G 3/8	27	12	22	22	Steel, galvanized	315	4 570	56	0.12
412-453W	FITTING ST GE 12-L G 1/2 CF	L	12	G 1/2	28	14	27	22	Steel, galvanized	250	3 625	79	0.17
415-443W	FITTING ST GE 15-L G 3/4 CF	L	15	G 3/4	30	16	32	27	Steel, galvanized	250	3 625	163	0.36
223-12361-9	FITTING ST GE 15-L G 1/2 CF	L	15	G 1/2	29	14	27	27	Steel, galvanized	250	3 625	119	0.26
223-13621-8	FITTING ST GE 15-L G 3/8 CF	L	15	G 3/8	29	12	24	27	Steel, galvanized	250	3 625	101	0.22
223-13766-1	FITTING ST GE 18-L G 1/2 CF	L	18	G 1/2	31	14	27	32	Steel, galvanized	250	3 625	139	0.31
418-413W	FITTING ST GE 18-L G 3/4 CF	L	18	G 3/4	30	16	32	32	Steel, galvanized	250	3 625	178	0.39
223-13749-3	FITTING ST GE 22-L G 1/2 CF	L	22	G 1/2	33	14	32	36	Steel, galvanized	160	2 320	180	0.40
223-13016-2	FITTING ST GE 22-L G 3/4 CF	L	22	G 3/4	33	16	32	36	Steel, galvanized	160	2 320	191	0.42
223-14214-9	FITTING ST GE 28-L G 3/4 CF	L	28	G 3/4	34	16	41	41	Steel, galvanized	160	2 320	257	0.57
223-13610-9	FITTING ST GE 28-L G 1 CF	L	28	G 1	34	18	41	41	Steel, galvanized	160	2 320	287	0.63
223-12477-1	FITTING ST GE 6-S G 1/4 CF	S	6	G 1/4	28	12	19	17	Steel, galvanized	400	5 800	54	0.12
223-12477-2	FITTING ST GE 8-S G 1/4 CF	S	8	G 1/4	30	12	19	19	Steel, galvanized	400	5 800	60	0.13
223-13016-6	FITTING ST GE 8-S G 3/8 CF	S	8	G 3/8	30	12	22	19	Steel, galvanized	400	5 800	78	0.17
223-13016-9	FITTING ST GE 10-S G 1/4 CF	S	10	G 1/4	31	12	19	22	Steel, galvanized	400	5 800	77	0.17
223-13016-4	FITTING ST GE 10-S G 3/8 CF	S	10	G 3/8	31	12	22	22	Steel, galvanized	400	5 800	90	0.20
223-13016-7	FITTING ST GE 12-S G 3/8 CF	S	12	G 3/8	33	12	22	24	Steel, galvanized	400	5 800	96	0.21
223-14129-3	FITTING ST GE 12-S G 1/2 CF	S	12	G 1/2	24	14	27	24	Steel, galvanized	400	5 800	91	0.20
96-1114-0058	FITTING ST GE 14-S G 1/2 CF	S	14	G 1/2	27	14	27	27	Steel, galvanized	400	5 800	153	0.34
223-13749-5	FITTING ST GE 16-S G 3/8 CF	S	16	G 3/8	36	12	27	30	Steel, galvanized	400	5 800	165	0.36
223-13621-1	FITTING ST GE 16-S G 1/2 CF	S	16	G 1/2	37	14	27	30	Steel, galvanized	400	5 800	164	0.36
223-12360-6	FITTING ST GE 20-S G 1/2 CF	S	20	G 1/2	42	14	32	36	Steel, galvanized	400	5 800	214	0.47
223-12359-6	FITTING ST GE 20-S G 3/4 CF	S	20	G 3/4	42	16	32	32	Steel, galvanized	400	5 800	224	0.49
223-14214-2	FITTING ST GE 6-L 1/8NPT CF	L	6	1/8 NPT	32	10	11	12	Steel, galvanized	100	1 450	24	0.05
223-12273-5	FITTING ST GE 8-L 1/4NPT CF	L	8	1/4 NPT	38	14.5	17	17	Steel, galvanized	315	4 570	42	0.09
223-13096-2	FITTING ST GE 10-S 1/4NPT CF	S	10	1/4 NPT	44	14.5	19	22	Steel, galvanized	630	9 140	77	0.17
223-14214-5	FITTING ST GE 20-S 1/2NPT CF	S	20	1/2 NPT	59	19.5	32	36	Steel, galvanized	400	5 800	235	0.52
Tapered thread													
223-12270-8	FITTING ST GE 4-LL R 1/8K CF	LL	4	R 1/8	26	8	11	10	Steel, galvanized	100 ¹⁾	1 450 ¹⁾	12	0.03
223-12270-7	FITTING ST GE 6-LL R 1/8K CF	LL	6	R 1/8	26	8	11	12	Steel, galvanized	100 ¹⁾	1 450 ¹⁾	15	0.03
223-12270-9	FITTING ST GE 8-LL R 1/8K CF	LL	8	R 1/8	28	8	12	14	Steel, galvanized	100 ¹⁾	1 450 ¹⁾	18	0.04
223-13621-6	FITTING ST GE 8-LL R 1/4K CF	LL	8	R 1/4	32	12	14	14	Steel, galvanized	100 ¹⁾	1 450 ¹⁾	26	0.06
96-5911-0058	FITTING ST GE 10-LL R 1/4K CF	LL	10	R 1/4	32	12	14	17	Steel, galvanized	100 ¹⁾	1 450 ¹⁾	36	0.08
96-5912-0058	FITTING ST GE 12-LL R 1/4K CF	LL	12	R 1/4	32	12	17	19	Steel, galvanized	100 ¹⁾	1 450 ¹⁾	65	0.14
96-5913-0058	FITTING ST GE 12-LL R 3/8K CF	LL	12	R 3/8	32	12	17	19	Steel, galvanized	100 ¹⁾	1 450 ¹⁾	55	0.12
410-443W	FITTING ST GE 10-L R 1/8K CF	L	10	R 1/8	34	8	14	17	Steel, galvanized	315	4 570	42	0.09

¹⁾ In grease lubrication systems fittings are permitted for operating pressures up to 350 bar, 5080 psi

Double-edged cutting sleeve unions

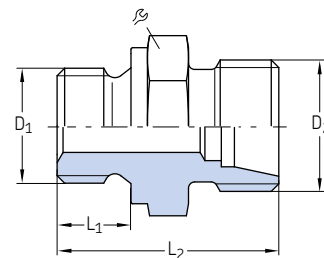
Straight screw-in connectors GE with Whitworth pipe thread, made from stainless steel or brass



Order number	Designation	Tube Series	ØD	D ₁	L ₁	L ₂	r ₁	r ₂	Material	Operating pressure max. Weight			
										mm	mm	mm	mm
Stainless steel													
223-13614-9	TB.FITT.VA GE 6-LL R 1/8	LL	6	R 1/8	26	8	11	10	Stainless steel	100	1 450	65	0.14
223-13658-2	TB.FITT.VA GE 6-L G 1/8	L	6	G 1/8	23	8	14	14	Stainless steel	315	4 570	23	0.05
223-13658-9	TB.FITT.VA GE 6-L G 1/4	L	6	G 1/4	25	12	19	14	Stainless steel	315	4 570	40	0.09
223-13658-1	TB.FITT.VA GE 8-LL G 1/8	LL	8	G 1/8	24	8	14	17	Stainless steel	315	4 570	33	0.07
223-14420-7	TB.FITT.VA GE10-L G 1/4	L	10	G 1/4	26	12	19	19	Stainless steel	315	4 570	50	0.11
223-13715-9	TB.FITT.VA GE15-L G 1/2	L	15	G 1/2	29	14	27	27	Stainless steel	250	3 625	119	0.26
223-13715-6	TB.FITT.VA GE15-L G 3/8	L	15	G 3/8	29	12	24	27	Stainless steel	250	3 625	88	0.19
223-14420-8	TB.FITT.VA GE18-L G 1/2	L	18	G 1/2	31	14	27	32	Stainless steel	250	3 625	139	0.31
99-0222-0058	TB.FITT.VA GE22-L G 3/4	L	22	G 3/4	33	16	32	36	Stainless steel	160	2 320	191	0.42
223-14184-2	TB.FITT.VA GE28-L G 1	L	28	G 1	34	18	41	41	Stainless steel	160	2 320	278	0.61
223-13614-7	TB.FITT.VA GE 6-S G 1/4	S	6	G 1/4	28	12	19	17	Stainless steel	400	5 800	54	0.12
223-13614-6	TB.FITT.VA GE 8-S G 1/4	S	8	G 1/4	30	12	19	19	Stainless steel	400	5 800	64	0.14
223-12452-9	TB.FITT.VA GE10-S G 1/4	S	10	G 1/4	31	12	19	22	Stainless steel	400	5 800	77	0.17
223-12452-7	TB.FITT.VA GE16-S G 1/2	S	16	G 1/2	37	14	27	30	Stainless steel	400	5 800	164	0.36
223-13658-4	TB.FITT.VA GE20-S G 1/2	S	20	G 1/2	42	14	32	36	Stainless steel	400	5 800	214	0.47
223-12452-5	TB.FITT.VA GE20-S G 3/4	S	20	G 3/4	42	16	32	32	Stainless steel	400	5 800	224	0.49
Brass													
223-12377-7	TB.FITT.MS GE 8-L G 1/4	L	8	G 1/4	25	12	19	17	Brass	200	2 900	26	0.06
223-12377-8	TB.FITT.MS GE15-L G 1/2	L	15	G 1/2	29	14	27	27	Brass	160	2 320	72	0.16

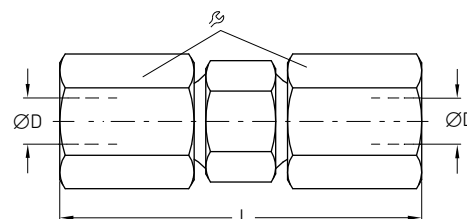
Double-edged cutting sleeve unions

Straight screw-in glands XGE



Order number	Designation	Series	Tube		D ₂	L ₁	L ₂	⌀	Material	Operating pressure max.		Weight	
			Ø	D ₁						bar	psi	g	lb
			mm	mm	mm	mm	mm	mm					
223-13766-9	TB.FITT.ST XGE 6-LL M 10x1,0K CF	LL	6	M10x1 tap.	M10x1	8	20	11	Steel, galvanized	100	1450	17	0.04
223-14129-1	TB.FITT.ST XGE 6-LL M 8x1,0K CF	LL	6	M8x1 tap.	M10x1	8	20	11	Steel, galvanized	100	1450	17	0.04
223-14129-2	TB.FITT.ST XGE 6-LL R 1/8K CF	LL	6	R 1/8	M12x1,5	8	20	11	Steel, galvanized	100	1450	18	0.04
223-14234-7	TB.FITT.ST XGE 6-L M 10x1,0 CF	L	6	M10x1	M12x1,5	8	23,5	14	Steel, galvanized	500	7250	20	0.04
408-313	TB.FITT.ST XGE 8-L M 14x1,5 CF	L	8	M14x1,5	M14x1,5	9	36	17	Steel, galvanized	500	7250	31	0.07
410-313	TB.FITT.ST XGE10-L M 16x1,5 CF	L	10	M16x1,5	M16x1,5	9	31,5	22	Steel, galvanized	500	7250	40	0.09
223-14304-2	TB.FITT.ST XGE 10-L M 14x1,5 CF	L	10	M14x1,5	M16x1,5	9	30,0	19	Steel, galvanized	500	7250	40	0.09
223-14304-7	TB.FITT.ST XGE 12-L M 14x1,5 CF	L	12	M14x1,5	M18x1,5	12	30,0	19	Steel, galvanized	400	5800	55	0.12
223-13610-8	TB.FITT.ST XGE 18-L M 22x1,5 CF	L	18	M22x1,5	M26x1,5	14	36,0	27	Steel, galvanized	315	4570	148	0.33
223-11229-9	TB.FITT.ST XGE 8-L G 1/4A CF	L	8	G 1/4	M14x1,5	12	30	19	Steel, galvanized	500	7250	35	0.08
223-14234-4	TB.FITT.ST XGE10-L G 1/8A CF	L	10	G 1/8	M18x1,5	12	34	17	Steel, galvanized	500	7250	33	0.07
223-10055-9	TB.FITT.ST XGE10-L G 3/8A CF	L	10	G 3/8	M18x1,5	12	31,5	22	Steel, galvanized	500	7250	55	0.12
223-14418-7	TB.FITT.ST XGE18-L G 1/2A CF	L	18	G 1/2	M26x1,5	14	36	27	Steel, galvanized	400	5800	139	0.31
223-11089-3	TB.FITT.ST XGE10-S G 1/4A CF	S	10	G 1/4	M18x1,5	12	30	19	Steel, galvanized	800	11600	41	0.09
223-14304-5	TB.FITT.ST XGE20-S G 1/2A CF	S	20	G 1/2	M30x2	14	45	32	Steel, galvanized	420	6090	262	0.58

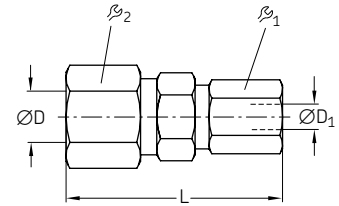
Straight tube-to-tube connectors G



Order number	Designation	Series	Tube ØD		L	⌀	Material	Operating pressure max.		Weight	
			mm	mm				mm	bar	psi	g
Steel, galvanized											
223-12531-8	TB.FITT.ST G 4-LL CF	LL	4	31	10		Steel, galvanized	100	1450	13	0.03
223-12482-9	TB.FITT.ST G 6-LL CF	LL	6	32	12		Steel, galvanized	100	1450	21	0.05
223-12531-9	TB.FITT.ST G 8-LL CF	LL	8	35	14		Steel, galvanized	100	1450	26	0.06
223-12531-2	TB.FITT.ST G 10-L CF	L	10	42	19		Steel, galvanized	500	7250	65	0.14
223-13732-8	TB.FITT.ST G 12-L CF	L	12	43	22		Steel, galvanized	500	7250	84	0.19
223-12531-6	TB.FITT.ST G 15-L CF	L	15	46	27		Steel, galvanized	400	5800	145	0.32
223-13732-4	TB.FITT.ST G 18-L CF	L	18	48	32		Steel, galvanized	400	5800	205	0.45
223-13049-3	TB.FITT.ST G 10-S CF	S	10	49	22		Steel, galvanized	800	11600	112	0.25
223-12531-4	TB.FITT.ST G 16-S CF	S	16	57	30		Steel, galvanized	630	9140	234	0.52
223-12363-2	TB.FITT.ST G 20-S CF	S	20	66	36		Steel, galvanized	420	6090	369	0.81
223-12363-6	TB.FITT.ST G 30-S CF	S	30	80	50		Steel, galvanized	420	6090	806	1.78
Stainless steel											
223-13615-5	TB.FITT.VA G 6-L	L	6	39	14		Stainless steel	315	4570	36	0.08
223-13615-3	TB.FITT.VA G 8-L	L	8	40	17		Stainless steel	315	4570	50	0.11
223-13615-6	TB.FITT.VA G 10-L	L	10	42	19		Stainless steel	315	4570	37	0.08
223-12454-8	TB.FITT.VA G 15-L	L	15	46	27		Stainless steel	315	4570	145	0.32
223-12454-1	TB.FITT.VA G 10-S	S	10	49	22		Stainless steel	630	9140	112	0.25
223-12454-6	TB.FITT.VA G 16-S	S	16	57	30		Stainless steel	400	5800	234	0.52
223-12454-3	TB.FITT.VA G 20-S	S	20	66	36		Stainless steel	400	5800	369	0.81
223-12454-5	TB.FITT.VA G 30-S	S	30	80	50		Stainless steel	400	5800	806	1.78

Double-edged cutting sleeve unions

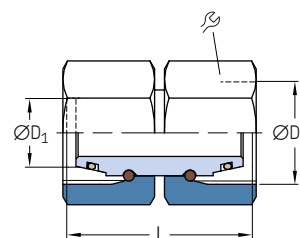
Straight tube-to-tube reducing connectors GR



Order number	Designation	Series	Tube	Tube	L	R_1	R_2	Material	Operating pressure max.		Weight	
			ØD	ØD ₁		mm	mm		bar	psi	g	lb
Steel, galvanized												
223-12542-2	FITTING ST GR 6/ 4-LL CF	LL	6	4	32	10	12	Steel, galvanized	100	1 450	7	0.02
504-412	TB.FITT.ST GR 8/ 4-L CF	L	8	4	34	10	14	Steel, galvanized	100	1 450	9	0.02
223-13705-5	TB.FITT.ST GR 8/6-L CF	L	8	6	40	14	17	Steel, galvanized	500	7 250	16	0.04
223-13622-3	TB.FITT.ST GR 10/6-L CF	L	10	6	41	14	19	Steel, galvanized	500	7 250	21	0.05
223-13024-4	TB.FITT.ST GR 10/8-L CF	L	10	8	41	17	19	Steel, galvanized	500	7 250	21	0.05
223-10986-1	TB.FITT.ST GR 12/6-L CF	L	12	6	42	14	22	Steel, galvanized	400	5 800	26	0.06
223-13622-7	TB.FITT.ST GR 12/8-L CF	L	12	8	42	17	22	Steel, galvanized	400	5 800	26	0.06
510-410	TB.FITT.ST GR12/10-L CF	L	12	10	43	19	22	Steel, galvanized	400	5 800	29	0.06
223-13024-8	TB.FITT.ST GR 15/8-L CF	L	15	8	45	17	27	Steel, galvanized	400	5 800	42	0.09
223-12542-7	TB.FITT.ST GR 15/10-L CF	L	15	10	45	19	27	Steel, galvanized	400	5 800	46	0.10
223-12452-8	TB.FITT.ST GR 15/12-L CF	L	15	12	45	22	27	Steel, galvanized	400	5 800	45	0.10
510-413	TB.FITT.ST GR 18/10-L CF	L	18	10	46	19	32	Steel, galvanized	400	5 800	65	0.14
512-412	TB.FITT.ST GR 18/12-L CF	L	18	12	46	22	32	Steel, galvanized	400	5 800	64	0.14
515-410	TB.FITT.ST GR 18/15-L CF	L	18	15	48	27	32	Steel, galvanized	400	5 800	65	0.14
223-13622-1	TB.FITT.ST GR 16/10-S CF	S	16	10	54	22	30	Steel, galvanized	630	9 140	80	0.18
223-12364-4	TB.FITT.ST GR 20/10-S CF	S	20	10	60	22	36	Steel, galvanized	420	6 090	129	0.28
223-13024-1	TB.FITT.ST GR 30/20-S CF	S	30	20	74	36	50	Steel, galvanized	420	6 090	299	0.66
Stainless steel												
223-13619-9	TB.FITT.VA GR 16/10 S	S	16	10	54	22	30	Stainless steel	400	5 800	80	0.18
223-13619-2	TB.FITT.VA GR 20/10 S	S	20	10	60	22	36	Stainless steel	400	5 800	129	0.28
223-13791-5	TB.FITT.VA GR 30/20 S	S	30	20	74	36	50	Stainless steel	400	5 800	299	0.66

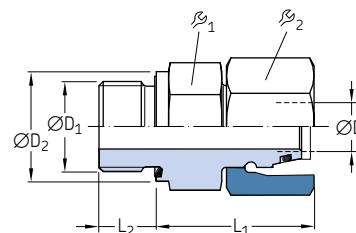
Double-edged cutting sleeve unions

Union studs GZ



Order number	Designation	Series	Tube ØD D ₁		L		Material	Operating pressure max.		Weight	
			mm	mm	mm	mm		bar	psi	g	lb
Steel, galvanized											
223-10550-2	STUD ST GZ 6-L CF	L	6	M14×1,5	33	14	Steel, galvanized	500	7 250	28	0.06
223-10550-8	STUD ST GZ 8-L CF	L	8	M14×1,5	33	17	Steel, galvanized	500	7 250	41	0.09
223-14253-2	STUD ST GZ10-L CF	L	10	M16×1,5	34	19	Steel, galvanized	500	7 250	53	0.12
223-10550-6	STUD ST GZ12-L CF	L	12	M18×1,5	34	22	Steel, galvanized	400	5 800	71	0.16
223-14253-5	STUD ST GZ15-L CF	L	15	M22×1,5	39	27	Steel, galvanized	400	5 800	129	0.28
223-10550-1	STUD ST GZ 6-S CF	S	6	M14×1,5	33	17	Steel, galvanized	800	11 600	41	0.09
223-14253-4	STUD ST GZ10-S CF	S	10	M18×1,5	35	22	Steel, galvanized	800	11 600	74	0.16
223-14253-1	STUD ST GZ16-S CF	S	16	M24×1,5	42	30	Steel, galvanized	630	9 140	172	0.38
223-14497-8	STUD ST GZ20-S CF	S	20	M30×2	48	36	Steel, galvanized	420	6 090	261	0.58
223-14253-3	STUD ST GZ30-S CF	S	30	M42×2	62	50	Steel, galvanized	420	6 090	605	1.33
Stainless steel											
223-14497-1	STUD VA GZ10-L	L	10	M16×1,5	34	19	Stainless steel	315	4 570	53	0.12
223-14497-3	STUD VA GZ16-S	S	16	M24×1,5	42	30	Stainless steel	400	5 800	172	0.38
223-14497-4	STUD VA GZ20-S	S	20	M30×2	48	36	Stainless steel	400	5 800	261	0.58

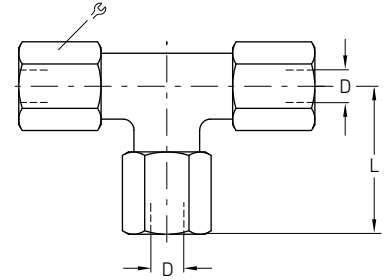
Straight tube studs EGE



Order number	Designation	Series	Tube		ØD ₂	L ₁	L ₂	R ₁	R ₂	Material	Operating pressure max.		Weight	
			ØD	ØD ₁							mm	mm	mm	mm
223-14130-7	TB.FITT.ST EGE 6-L G 1/8-ED CF	L	6	G 1/8	14	24,5	8	14	14	Steel, galvanized	500	7 250	27	0.06
223-13686-1	TB.FITT.ST EGE10-L G 1/4-ED CF	L	10	G 1/4	19	27,5	12	19	19	Steel, galvanized	500	7 250	54	0.12
223-14130-9	TB.FITT.ST EGE10-L G 3/8-ED CF	L	10	G 3/8	22	29	12	22	19	Steel, galvanized	400	5 800	70	0.15
223-14187-4	TB.FITT.ST EGE10-L M14×1.5-ED CF	L	10	M14×1,5	19	27,5	12	19	19	Steel, galvanized	500	7 250	49	0.11
223-10563-8	TB.FITT.ST EGE12-L M16×1.5-ED CF	L	12	M16×1,5	22	30,5	12	22	22	Steel, galvanized	400	5 800	67	0.15
223-14187-4	TB.FITT.ST EGE10-L 1/4 NPT-ED CF	L	10	1/4 NPT	19	27,5	12	19	19	Steel, galvanized	315	4 570	44	0.10
223-10563-5	TB.FITT.ST EGE12-L G 1/4-ED CF	L	12	G 1/4	19	27,5	12	19	22	Steel, galvanized	400	5 800	61	0.13
223-14130-2	TB.FITT.ST EGE15-L G 1/2-ED CF	L	15	G 1/2	27	32	14	27	27	Steel, galvanized	400	5 800	114	0.25
223-10563-7	TB.FITT.ST EGE 6-S G 1/4-ED CF	S	6	G 1/4	19	27	12	19	17	Steel, galvanized	800	11 600	53	0.12
223-10563-6	TB.FITT.ST EGE12-S G 3/8-ED CF	S	12	G 3/8	22	34	12	22	24	Steel, galvanized	630	9 140	95	0.21
223-14130-2	TB.FITT.ST EGE30-S 3/4 NPT-ED CF	S	20	3/4 NPT	32	43	16	32	36	Steel, galvanized	400	5 800	254	0.56

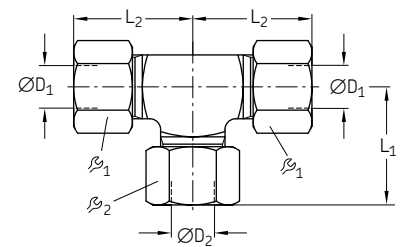
Double-edged cutting sleeve unions

T-connectors T



Order number	Designation	Series	Tube	ØD	L	R	Material	Operating pressure max.		Weight	
								mm	mm	mm	bar
Steel, galvanized											
223-12563-5	TB.FITT.ST T 4-LL CF	LL	4	21	10		Steel, galvanized	100	1 450	31	0.07
223-12484-2	TB.FITT.ST T 6-L CF	L	6	27	14		Steel, galvanized	500	7 250	58	0.13
223-12484-6	TB.FITT.ST T 8-L CF	L	8	29	17		Steel, galvanized	500	7 250	104	0.23
223-13057-5	TB.FITT.ST T10-L CF	L	10	30	19		Steel, galvanized	500	7 250	111	0.24
412-407	TB.FITT.ST T12-L CF	L	12	32	22		Steel, galvanized	400	5 800	149	0.33
223-12563-2	TB.FITT.ST T15-L CF	L	15	36	27		Steel, galvanized	400	5 800	247	0.54
418-407	TB.FITT.ST T18-L CF	L	18	40	32		Steel, galvanized	400	5 800	383	0.84
223-13057-4	TB.FITT.ST T22-L CF	L	22	44	36		Steel, galvanized	250	3 625	492	1.08
223-12563-9	TB.FITT.ST T10-S CF	S	10	34	22		Steel, galvanized	800	11 600	193	0.43
223-13057-2	TB.FITT.ST T16-S CF	S	16	43	30		Steel, galvanized	630	9 140	418	0.92
223-12366-2	TB.FITT.ST T20-S CF	S	20	48	36		Steel, galvanized	420	6 090	867	1.91
223-12366-6	TB.FITT.ST T30-S CF	S	30	62	50		Steel, galvanized	420	6 090	2 274	5.01
Stainless steel											
223-13616-3	TB.FITT.VA T10-L	L	10	30	19		Stainless steel	315	4 570	111	0.24
223-12455-1	TB.FITT.VA T10-S	S	10	34	22		Stainless steel	630	9 140	193	0.43
223-12455-5	TB.FITT.VA T16-S	S	16	43	30		Stainless steel	400	5 800	418	0.92
223-12455-2	TB.FITT.VA T20-S	S	20	48	36		Stainless steel	400	5 800	867	1.91

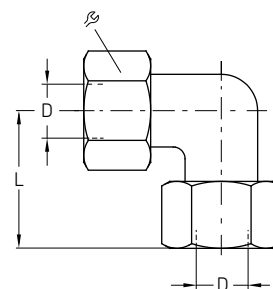
Reducing T-connectors TR



Order number	Designation	Series	Tube	Tube	L ₁	L ₂	R ₁	R ₂	Material	Operating pressure max.		Weight	
			ØD ₁	ØD ₂						mm	mm	bar	psi
Steel, galvanized													
223-12573-6	TB.FITT.ST TR10/ 6/10-L CF	L	10	6	30	30	19	14	Steel, galvanized	500	7 250	94	0.21
223-12541-5	TB.FITT.ST TR15/10/15-L CF	L	15	10	36	36	27	19	Steel, galvanized	400	5 800	213	0.47
223-13025-6	TB.FITT.ST TR12/10/12-S CF	S	12	10	38	38	24	22	Steel, galvanized	630	9 140	217	0.48
223-12367-2	TB.FITT.ST TR20/10/20-S CF	S	20	10	46	48	36	22	Steel, galvanized	420	6 090	503	1.11
223-12367-4	TB.FITT.ST TR20/12/20-S CF	S	20	12	46	48	36	24	Steel, galvanized	420	6 090	522	1.15
Stainless steel													
223-13672-8	TB.FITT.VA TR18/10/10-L	L	18	10	39	40	32	19	Stainless steel	315	4 570	305	0.67
223-13672-3	TB.FITT.VA TR20/10/20-S	S	20	10	46	48	36	22	Stainless steel	400	5 800	529	1.17

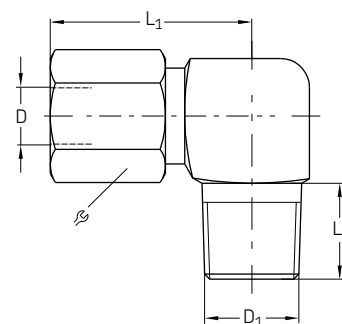
Double-edged cutting sleeve unions

Elbow connectors W



Order number	Designation	Series	Tube		L	⌀	Material	Operating pressure max.		Weight	
			ØD	L				bar	psi	g	lb
			mm	mm	mm	mm					
Steel, galvanized											
223-12483-2	TB.FITT.ST W6-L CF	L	6	27	14	Steel, galvanized	500	7 250	41	0.09	
223-12483-5	TB.FITT.ST W8-L CF	L	8	29	17	Steel, galvanized	500	7 250	60	0.13	
223-12483-8	TB.FITT.ST W10-L CF	L	10	30	19	Steel, galvanized	500	7 250	75	0.17	
223-12562-2	TB.FITT.ST W15-L CF	L	15	36	27	Steel, galvanized	400	5 800	128	0.28	
443-218-001	TB.FITT.ST W18-L CF	L	18	40	32	Steel, galvanized	400	5 800	208	0.46	
443-290-001	TB.FITT.ST W22-L CF	L	22	44	36	Steel, galvanized	250	3 625	267	0.59	
223-12562-7	TB.FITT.ST W10-S CF	S	10	34	22	Steel, galvanized	800	11 600	133	0.29	
223-12280-9	TB.FITT.ST W12-S CF	S	12	38	24	Steel, galvanized	630	9 140	175	0.39	
223-12562-8	TB.FITT.ST W16-S CF	S	16	43	30	Steel, galvanized	630	9 140	232	0.51	
223-12365-2	TB.FITT.ST W20-S CF	S	20	48	36	Steel, galvanized	420	6 090	333	0.73	
Stainless steel											
223-14424-5	TB.FITT.VA W8-L	L	8	29	17	Stainless steel	315	4 570	60	0.13	
223-13675-6	TB.FITT.VA W10-S	S	10	34	22	Stainless steel	630	9 140	133	0.29	
223-13675-2	TB.FITT.VA W20-S	S	20	48	36	Stainless steel	400	5 800	333	0.73	

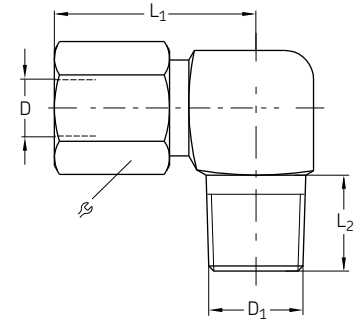
Elbow screw-in connectors WE with metrical thread



Order number	Designation	Series	Tube		L ₁	L ₂	⌀	Material	Operating pressure max.		Weight	
			ØD	ØD ₁					bar	psi	g	lb
			mm	mm	mm	mm	mm					
Steel, galvanized												
223-13023-3	TB.FITT.ST WE 6-LL M8x1K CF	LL	6	M8x1	21	8	12	Steel, galvanized	100	1 450	24	0.05
223-13021-3	TB.FITT.ST WE 6-LL M10x1K CF	LL	6	M10x1	15	8	12	Steel, galvanized	100	1 450	24	0.05
223-12362-4	TB.FITT.ST WE 8-LL M10x1K CF	LL	8	M10x1	17	8	14	Steel, galvanized	100	1 450	33	0.07
223-12485-8	TB.FITT.ST WE 6-L M10x1K CF	L	6	M10x1	19	8	14	Steel, galvanized	315	4 570	41	0.09
223-12362-8	TB.FITT.ST WE 8-L M12x1,5K CF	L	8	M12x1,5	21	12	17	Steel, galvanized	315	4 570	63	0.14
406-405	TB.FITT.ST WE10-L M14x1,5K CF	L	10	M14x1,5	22	12	19	Steel, galvanized	315	4 570	83	0.18
412-405	TB.FITT.ST WE12-L M16x1,5K CF	L	12	M16x1,5	24	12	22	Steel, galvanized	315	4 570	117	0.26
415-405	TB.FITT.ST WE15-L M18x1,5K CF	L	15	M18x1,5	28	12	27	Steel, galvanized	315	4 570	125	0.28
223-12485-2	TB.FITT.ST WE10-S M16x1,5K CF	S	10	M16x1,5	25	12	22	Steel, galvanized	400	5 800	123	0.27
Stainless steel												
404-405-S3	TB.FITT.VA WE 4-LL M8x1,0K	LL	4	M8x1	15	8	10	Stainless steel	100	1 450	18	0.04
223-13677-2	TB.FITT.VA WE 6-LL M8x1,0K	LL	6	M8x1	21	8	12	Stainless steel	100	1 450	24	0.05

Double-edged cutting sleeve unions

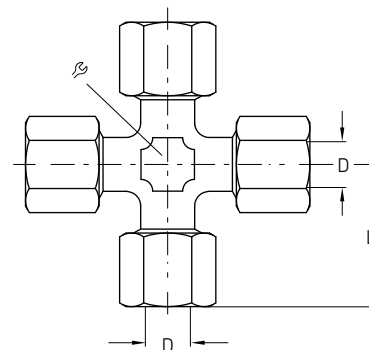
Elbow screw-in connectors WE with Whitworth pipe thread



Order number	Designation	Tube Series	ØD	ØD ₁	L ₁	L ₂	R	Material	Operating pressure max. Weight					
									bar	psi	g	lb		
Steel, galvanized														
223-13021-4	TB.FITT.ST WE 4-LL R 1/8K CF	LL	4	R 1/8	15	8	10	Steel, galvanized	100	1 450	21	0.05		
223-13021-6	TB.FITT.ST WE 8-LL R 1/8K CF	LL	8	R 1/8	17	8	14	Steel, galvanized	100	1 450	32	0.07		
96-6112-0058	TB.FITT.ST WE12-LL R 1/4K CF	LL	12	R 1/4	19	12	19	Steel, galvanized	100	1 450	61	0.13		
223-13048-1	TB.FITT.ST WE 6-L R 1/8K CF	L	6	R 1/8	19	8	14	Steel, galvanized	315	4 570	42	0.09		
223-12380-6	TB.FITT.ST WE 6-L R 1/4K CF	L	6	R 1/4	21	12	14	Steel, galvanized	315	4 570	59	0.13		
408-425W	TB.FITT.ST WE 8-L R 1/8K CF	L	8	R 1/8	21	8	17	Steel, galvanized	315	4 570	66	0.15		
223-14240-5	TB.FITT.ST WE 8-L R 1/4K CF	L	8	R 1/4	21	12	17	Steel, galvanized	315	4 570	63	0.14		
223-13048-5	TB.FITT.ST WE10-L R 1/4K CF	L	10	R 1/4	22	12	19	Steel, galvanized	315	4 570	82	0.18		
412-405W	TB.FITT.ST WE12-L R 3/8K CF	L	12	R 3/8	24	12	22	Steel, galvanized	315	4 570	116	0.26		
223-13021-7	TB.FITT.ST WE15-L R 1/2K CF	L	15	R 1/2	28	14	27	Steel, galvanized	315	4 570	141	0.31		
418-405W	TB.FITT.ST WE18-L R 1/2K CF	L	18	R 1/2	31	14	32	Steel, galvanized	315	4 570	230	0.51		
223-13048-6	TB.FITT.ST WE10-S R 3/8K CF	S	10	R 3/8	25	12	22	Steel, galvanized	400	5 800	138	0.30		
96-1412-0058	TB.FITT.ST WE12-S R 3/8K CF	S	12	R 3/8	29	12	24	Steel, galvanized	400	5 800	164	0.36		
223-13048-8	TB.FITT.ST WE16-S R 1/2K CF	S	16	R 1/2	33	14	30	Steel, galvanized	400	5 800	232	0.51		
Stainless steel														
223-13620-8	TB.FITT.VA WE 6-L R 1/8K	L	6	R 1/8	19	8	14	Stainless steel	315	4 570	42	0.09		
223-13677-5	TB.FITT.VA WE 8-L R 1/4K	L	8	R 1/4	21	12	17	Stainless steel	315	4 570	63	0.14		
223-12453-1	TB.FITT.VA WE 10-L R 1/4K	L	10	R 1/4	22	12	19	Stainless steel	315	4 570	82	0.18		

Double-edged cutting sleeve unions

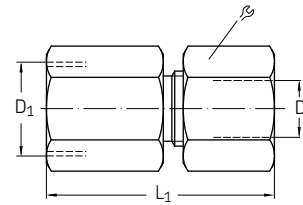
K-connectors K



Order number	Designation	Series	Tube Ø		L	Material	Operating pressure max.		Weight	
			mm	mm			bar	psi	g	lb
96-2106-0058	TB.FITT.ST K 6-LL CF	LL	6	21	12	Steel, galvanized	100	1 450	27	0.06
446-308-001	TB.FITT.ST K 8-LL CF	LL	8	23	14	Steel, galvanized	100	1 450	52	0.11
446-310-001	TB.FITT.ST K10-LL CF	LL	10	30	19	Steel, galvanized	100	1 450	110	0.24
446-312-001	TB.FITT.ST K12-LL CF	LL	12	32	22	Steel, galvanized	100	1 450	129	0.28
446-315-001	TB.FITT.ST K15-LL CF	LL	15	36	27	Steel, galvanized	100	1 450	306	0.67
96-2118-0058	TB.FITT.ST K18-L CF	L	18	40	32	Steel, galvanized	160	2 320	420	0.93
96-2122-0058	TB.FITT.ST K22-LL CF	L	22	44	36	Steel, galvanized	160	2 320	550	1.21
223-12423-7	TB.FITT.ST K10-L CF	L	10	30	19	Steel, galvanized	315	4 570	136	0.30
223-12432-2	TB.FITT.ST K10-S CF	S	10	34	22	Steel, galvanized	630	9 140	233	0.51
223-12432-8	TB.FITT.ST K20-S CF	S	20	48	36	Steel, galvanized	315	4 570	791	1.74

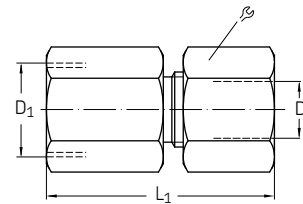
Double-edged cutting sleeve unions

Female connector straight GAI with mechanical thread



Order number	Designation	Series	Tube		L ₁	L ₂	R	Material	Operating pressure max. Weight			
			∅D	∅D ₁					bar	psi	g	lb
223-10307-2	TB.FITT.ST GAI 6-L M10x1,0 CF	L	6	M10x1	26,5	19,5	14	Steel, galvanized	315	4 570	30	0.07
96-0508-0060	TB.FITT.ST GAI 8-L M12x1,5 CF	L	8	M12x1,5	31	24	17	Steel, galvanized	315	4 570	49	0.11
223-13033-2	TB.FITT.ST GAI10-L M14x1,5 CF	L	10	M14x1,5	32	25	19	Steel, galvanized	315	4 570	60	0.13
96-0512-0060	TB.FITT.ST GAI12-L M16x1,5 CF	L	12	M16x1,5	33	26	22	Steel, galvanized	315	4 570	80	0.18
223-13693-9	TB.FITT.ST GAI18-L M22x1,5 CF	L	18	M22x1,5	37	29,5	32	Steel, galvanized	315	4 570	179	0.39
96-0606-0060	TB.FITT.ST GAI 6-S M12x1,5 CF	S	6	M12x1	33	26	17	Steel, galvanized	400	5 800	54	0.12
96-0608-0060	TB.FITT.ST GAI 8-S M14x1,5 CF	S	8	M14x1,5	33	26	19	Steel, galvanized	400	5 800	73	0.16

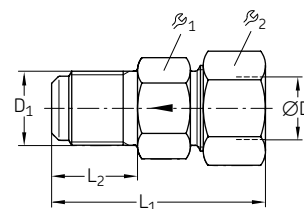
Female connector straight GAI with Whitworth pipe thread



Order number	Designation	Series	Tube		L ₁	L ₂	R	Material	Operating pressure max. Weight			
			∅D	∅D ₁					bar	psi	g	lb
Steel, galvanized												
223-13693-4	TB.FITT.ST GAI 6-L G1/8 CF	L	6	G1/8	26	19	14	Steel, galvanized	315	4 570	30	0.07
223-13693-6	TB.FITT.ST GAI 8-L G1/4 CF	L	8	G1/4	31	24	19	Steel, galvanized	315	4 570	56	0.12
223-13693-2	TB.FITT.ST GAI10-L G1/4 CF	L	10	G1/4	32	25	19	Steel, galvanized	315	4 570	61	0.13
223-13693-1	TB.FITT.ST GAI10-L G3/8 CF	L	10	G3/8	33	26	24	Steel, galvanized	315	4 570	84	0.19
96-0712-0060	TB.FITT.ST GAI12-L G3/8 CF	L	12	G3/8	33	26	24	Steel, galvanized	315	4 570	92	0.20
96-0715-0060	TB.FITT.ST GAI15-L G1/2 CF	L	15	G1/2	38	31	27	Steel, galvanized	315	4 570	134	0.30
96-0718-0060	TB.FITT.ST GAI18-L G1/2 CF	L	18	G1/2	38	30,5	27	Steel, galvanized	315	4 570	157	0.35
223-12273-2	TB.FITT.ST GAI22-L G3/4 CF	L	22	G3/4	43	35,5	36	Steel, galvanized	160	2 320	262	0.58
Stainless steel												
223-14116-2	TB.FITT.VA GAI10-S G3/8 CF	S	10	G3/8	34	26,5	24	Stainless steel	400	5 800	102	0.22
223-14116-9	TB.FITT.VA GAI20-S G3/4 CF	S	20	G3/4	45	34,5	36	Stainless steel	315	4 570	309	0.68

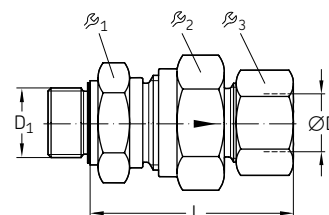
Double-edged cutting sleeve unions

Check valves GERV



Order number	Designation	Series	Tube		L ₁	L ₂	β ₁	β ₂	Material	Operating pressure max. Weight			
			∅D	∅D ₁						bar	psi	g	lb
Steel, galvanized													
223-12290-2	CHECK VALVE ST GERV 4-LL G 1/8A L CF	LL	4	G 1/8	30	11	10	11	Steel, galvanized	100	1 450	12	0.03
223-12290-7	CHECK VALVE ST GERV 6-LL G 1/8A L CF	LL	6	G 1/8	30	11	12	11	Steel, galvanized	100	1 450	16	0.04
223-13052-8	CHECK VALVE ST GERV 6-LL M10x1 L CF	LL	6	M0x1	30	11	12	11	Steel, galvanized	100	1 450	15	0.03
223-13051-1	CHECK VALVE ST GERV 8-L G 1/4A L CF	L	8	G 1/4	42	14	17	17	Steel, galvanized	400	5 800	45	0.10
223-13051-2	CHECK VALVE ST GERV10 -L G 1/4A L CF	L	10	G 1/4	41	14	19	19	Steel, galvanized	400	5 800	60	0.13
223-12372-9	CHECK VALVE ST GERV 6-S G 1/4A L CF	S	6	G 1/4	44	14	17	17	Steel, galvanized	420	6 090	60	0.13
Stainless steel													
223-12535-9	CHECK VALVE VA GERV 6-LL G 1/8A L	LL	6	G 1/8	30	11	12	11	Stainless steel	100	1 450	16	0.04
223-11185-1	CHECK VALVE VA GERV 6-S G 1/4A L	S	6	G 1/4	44	14	17	17	Stainless steel	400	5 800	60	0.13
223-12535-5	CHECK VALVE VA GERV 8-S G 1/4A L	S	8	G 1/4	42	14	19	19	Stainless steel	400	5 800	45	0.10

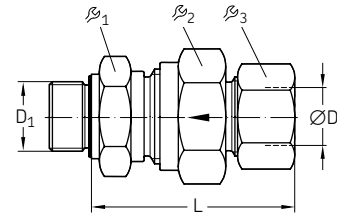
Check valves RHV



Order number	Designation	Series	Tube		L	β ₁	β ₂	β ₃	Material	Operating pressure max. Weight			
			∅D	∅D ₁						mm	mm	mm	mm
Steel, galvanized													
223-14464-9	CHECK VALVE ST RHV 6-L G 1/8AV CF	L	6	G 1/8	42,5	17	17	14	Steel, galvanized	400	5 800	59	0.13
223-13079-1	CHECK VALVE ST RHV 8-L G 1/4AV CF	L	8	G 1/4	44,5	19	19	17	Steel, galvanized	400	5 800	89	0.20
223-12291-4	CHECK VALVE ST RHV10-L G 1/4AV CF	L	10	G 1/4	53	22	24	19	Steel, galvanized	400	5 800	126	0.28
223-12429-1	CHECK VALVE ST RHV 6-S G 1/4AV CF	S	6	G 1/4	46	19	19	17	Steel, galvanized	420	6 090	82	0.18
223-12291-2	CHECK VALVE ST RHV 8-S G 1/4AV CF	S	8	G 1/4	46	19	19	19	Steel, galvanized	420	6 090	102	0.22
223-12291-6	CHECK VALVE ST RHV10-S G 3/8AV CF	S	10	G 3/8	54	22	24	22	Steel, galvanized	420	6 090	166	0.37
Stainless steel													
223-14464-9	CHECK VALVE VA RHV 6-L G 1/8AV	L	6	G 1/8	42,5	17	17	14	Stainless steel	250	3 625	59	0.13
223-13681-1	CHECK VALVE VA RHV 8-L G 1/4AV	L	8	G 1/4	44,5	19	19	17	Stainless steel	250	3 625	89	0.20

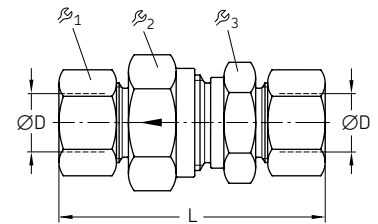
Double-edged cutting sleeve unions

Check valves RHZ



Order number	Designation	Tube Series	ØD	ØD ₁	L	R ₁	R ₂	R ₃	Material	Operating pressure max.		Weight	
										bar	psi	g	lb
			mm	mm	mm	mm	mm	mm					
Steel, galvanized													
223-12292-2	CHECK VALVE ST RHZ 6-L G 1/8A-ED L CF	L	6	G 1/8	41	17	17	14	Steel, galvanized	400	5 800	51	0.11
223-12292-5	CHECK VALVE ST RHZ10-L G 1/4A L CF	L	10	G 1/4	53	22	24	19	Steel, galvanized	400	5 800	148	0.33
223-13706-3	CHECK VALVE ST RHZ 6-L M10×1.0 L CF	L	6	M10×1	41	17	17	14	Steel, galvanized	400	5 800	51	0.11
223-12292-9	CHECK VALVE ST RHZ 6-S G 1/4A L CF	S	6	G 1/4	46	19	19	17	Steel, galvanized	420	6 090	80	0.18
Stainless steel													
223-13692-3	CHECK VALVE VA RHZ 6-L G 1/8A L	L	6	G 1/8	41	17	17	14	Stainless steel	250	3 625	51	0.11

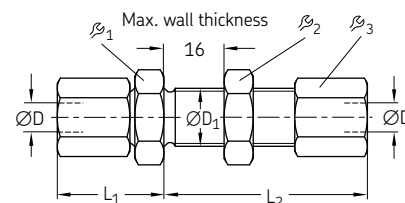
Check valves RHD



Order number	Designation	Tube Series	ØD	L	R ₁	R ₂	R ₃	Material	Operating pressure max.		Weight	
									bar	psi	g	lb
			mm	mm	mm	mm	mm					
Steel, galvanized												
223-13643-8	CHECK VALVE ST RHD 6-L CF	L	6	58	17	17	14	Steel, galvanized	400	5 800	70	0.15
223-13643-3	CHECK VALVE ST RHD 8-L CF	L	8	59	19	19	17	Steel, galvanized	400	5 800	95	0.21
223-13643-2	CHECK VALVE ST RHD10-L CF	L	10	69,5	22	24	19	Steel, galvanized	400	5 800	146	0.32
223-14464-1	CHECK VALVE ST RHD18-L CF	L	18	83,5	36	36	32	Steel, galvanized	400	5 800	428	0.94
223-13643-1	CHECK VALVE ST RHD10-S CF	S	10	72,5	22	24	22	Steel, galvanized	420	6 090	189	0.42
223-13643-4	CHECK VALVE ST RHD16-S CF	S	16	86,5	32	36	30	Steel, galvanized	420	6 090	430	0.95
223-13643-6	CHECK VALVE ST RHD20-S CF	S	20	97,5	41	46	36	Steel, galvanized	420	6 090	732	1.61
Stainless steel												
223-13770-6	CHECK VALVE VA RHD 6-L	L	6	58	17	17	14	Stainless steel	250	3 625	70	0.15
223-13770-8	CHECK VALVE VA RHD 8-L	L	8	59	19	19	17	Stainless steel	250	3 625	95	0.21
223-13770-2	CHECK VALVE VA RHD10-S	S	10	72,5	22	24	22	Stainless steel	400	5 800	189	0.42
223-13770-5	CHECK VALVE VA RHD20-S	S	20	97,5	41	46	36	Stainless steel	250	3 625	732	1.61

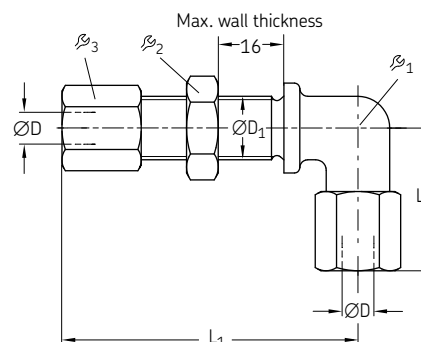
Double-edged cutting sleeve unions

Straight bulkhead connectors SV



Order number	Designation	Series	Tube		L ₁	L ₂	R ₁	R ₂	R ₃	Material	Operating pressure max.		Weight	
			ØD	ØD ₁							mm	mm	bar	psi
Steel, galvanized														
223-12368-4	TB.FITT.ST SV 6-L CF	L	6	12,5	22	42	17	17	14	Steel, galvanized	500	7 250	63	0.14
223-12368-6	TB.FITT.ST SV 8-L CF	L	8	14,5	23	42	19	19	17	Steel, galvanized	500	7 250	84	0.19
223-12368-8	TB.FITT.ST SV 10-L CF	L	10	16,5	25	43	22	22	19	Steel, galvanized	500	7 250	109	0.24
223-13698-4	TB.FITT.ST SV 12-L CF	L	12	18,5	25	44	24	24	22	Steel, galvanized	400	5 800	134	0.30
223-12564-2	TB.FITT.ST SV 15-L CF	L	15	22,5	27	46	27	30	27	Steel, galvanized	400	5 800	222	0.49
223-12564-8	TB.FITT.ST SV 18-L CF	L	18	26,5	30	49	32	36	32	Steel, galvanized	400	5 800	334	0.74
422-416	TB.FITT.ST SV 22-L CF	L	22	30,5	33	51	36	41	36	Steel, galvanized	250	3 625	432	0.95
223-12364-6	TB.FITT.ST SV 10-S CF	S	10	18,5	31	46	24	24	22	Steel, galvanized	800	11 600	180	0.40
223-12368-2	TB.FITT.ST SV 20-S CF	S	20	30,5	39	55	41	41	36	Steel, galvanized	420	6 090	688	1.52
Stainless steel														
223-13671-9	TB.FITT.VA SV 8-S	S	8	16,5	28	44	22	22	19	Stainless steel	630	9 140	133	0.29
223-12564-3	TB.FITT.VA SV 10-S	S	10	18,5	31	46	24	24	22	Stainless steel	630	9 140	180	0.40
223-13671-2	TB.FITT.VA SV 20-S	S	20	30,5	39	55	41	41	36	Stainless steel	400	5 800	688	1.52

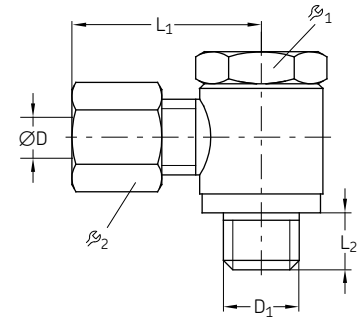
Elbow bulkhead connectors WSV



Order number	Designation	Series	Tube		L ₁	L ₂	R ₁	R ₂	R ₃	Material	Operating pressure max.		Weight	
			ØD	ØD ₁							mm	mm	bar	psi
Steel, galvanized														
223-13050-4	TB.FITT.ST WSV 6-L CF	L	6	12,5	48	27	12	17	14	Steel, galvanized	315	4 570	75	0.17
223-12409-6	TB.FITT.ST WSV 8-L CF	L	8	14,5	51	29	12	19	17	Steel, galvanized	315	4 570	95	0.21
223-12409-9	TB.FITT.ST WSV 10-L CF	L	10	16,5	53	30	14	22	19	Steel, galvanized	315	4 570	120	0.26
412-409	TB.FITT.ST WSV 12-L CF	L	12	18,5	56	32	17	24	22	Steel, galvanized	315	4 570	141	0.31
223-12409-8	TB.FITT.ST WSV 15-L CF	L	15	22,5	61	36	19	30	27	Steel, galvanized	315	4 570	184	0.41
418-409	TB.FITT.ST WSV 18-L CF	L	18	26,5	64	40	24	36	32	Steel, galvanized	315	4 570	374	0.82
223-13050-3	TB.FITT.ST WSV 22-L CF	L	22	30,5	72	44	27	41	36	Steel, galvanized	160	2 320	505	1.11
223-13050-2	TB.FITT.ST WSV 10-S CF	S	10	18,5	57	34	17	24	22	Steel, galvanized	630	9 140	196	0.43
223-12409-2	TB.FITT.ST WSV 20-S CF	S	20	30,5	74	48	27	41	36	Steel, galvanized	400	5 800	616	1.36
Stainless steel														
223-10364-6	TB.FITT.VA WSV 8-S	S	8	16,5	54	32	14	22	19	Stainless steel	630	9 140	155	0.34
223-10364-3	TB.FITT.VA WSV 10-S	S	10	18,5	57	34	17	24	22	Stainless steel	630	9 140	196	0.43
223-13758-4	TB.FITT.VA WSV 20-S	S	20	30,5	74	48	27	41	36	Stainless steel	400	5 800	616	1.36

Double-edged cutting sleeve unions

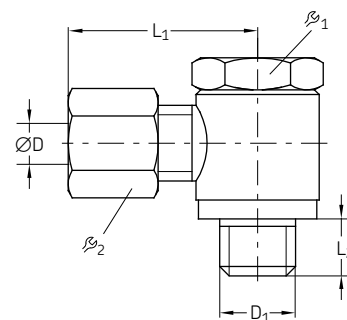
Banjo fittings SWVE with metrical thread



Order number	Designation	Series	Tube		L ₁	L ₂	r ₁	r ₂	Material	Operating pressure max.		Weight	
			∅D	D ₁						bar	psi	g	lb
Steel, galvanized													
223-12480-2	TB.FITT.ST SWVE 4-LL M 8x1 CF	LL	4	M8x1	20	6	12	10	Steel, galvanized	63	915	22	0.05
223-12480-7	TB.FITT.ST SWVE 6-LL M10x1 CF	LL	6	M10x1	22	6	14	12	Steel, galvanized	63	915	36	0.08
96-7108-0058	TB.FITT.ST SWVE 8-LL M10x1 CF	LL	8	M10x1	23	6	14	14	Steel, galvanized	63	915	39	0.09
223-12369-7	TB.FITT.ST SWVE 6-L M10x1 CF	L	6	M10x1	25	6	14	14	Steel, galvanized	160	2 320	43	0.09
96-7808-0058	TB.FITT.ST SWVE 8-L M12x1,5 CF	L	8	M12x1,5	27	9	17	17	Steel, galvanized	160	2 320	68	0.15
445-535-101	TB.FITT.ST SWVE10-L M14x1,5 CF	L	10	M14x1,5	29	9	19	19	Steel, galvanized	160	2 320	89	0.20
96-7812-0058	TB.FITT.ST SWVE12-L M16x1,5 CF	L	12	M16x1,5	30	9	21	22	Steel, galvanized	100	1 450	128	0.28
96-7815-0058	TB.FITT.ST SWVE15-L M18x1,5 CF	L	15	M18x1,5	33	9	24	27	Steel, galvanized	100	1 450	185	0.41
96-7818-0058	TB.FITT.ST SWVE18-L M22x1,5 CF	L	18	M22x1,5	37	11	27	32	Steel, galvanized	100	1 450	309	0.68
96-7822-0058	TB.FITT.ST SWVE22-L M26x1,5 CF	L	22	M26x1,5	42	13	32	36	Steel, galvanized	100	1 450	440	0.97
96-8006-0058	TB.FITT.ST SWVE 6-S M12x1,5 CF	S	6	M12x1,5	29	9	17	17	Steel, galvanized	160	2 320	74	0.16
96-8008-0058	TB.FITT.ST SWVE 8-S M14x1,5 CF	S	8	M14x1,5	30	9	19	19	Steel, galvanized	160	2 320	98	0.22
223-13669-4	TB.FITT.ST SWVE10-S M16x1,5 CF	S	10	M16x1,5	32	9	22	22	Steel, galvanized	100	1 450	140	0.31
96-8012-0058	TB.FITT.ST SWVE12-S M18x1,5 CF	S	12	M18x1,5	33	9	24	24	Steel, galvanized	100	1 450	172	0.38
96-8014-0058	TB.FITT.ST SWVE14-S M20x1,5 CF	S	14	M20x1,5	38	11	27	27	Steel, galvanized	100	1 450	236	0.52
96-8016-0058	TB.FITT.ST SWVE16-S M22x1,5 CF	S	16	M22x1,5	40	11	27	30	Steel, galvanized	100	1 450	324	0.71
Stainless steel													
223-12456-6	TB.FITT.VA SWVE 6-LL M10x1	LL	6	M10x1	22	6	14	12	Stainless steel	63	915	36	0.08
223-10389-3	TB.FITT.VA SWVE 8-LL M10x1	LL	8	M10x1	23	6	14	14	Stainless steel	63	915	39	0.09
223-14089-9	TB.FITT.VA SWVE 6-L M10x1	L	6	M10x1	25	6	14	14	Stainless steel	160	2 320	43	0.09

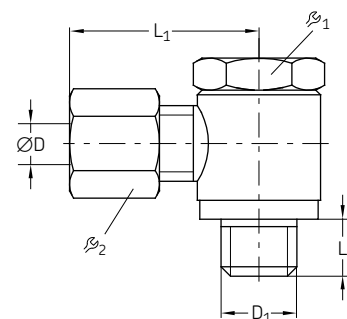
Double-edged cutting sleeve unions

Banjo fittings SWVE with Whitworth pipe thread



Order number	Designation	Series	Tube		L ₁	L ₂	R ₁	R ₂	Material	Operating pressure max. Weight						
			ØD	D ₁						bar	psi	g	lb			
											mm	mm	mm	mm		
Steel, galvanized																
223-13629-1	TB.FITT.ST SWVE 4-LL G 1/8 CF	LL	4	G 1/8	21	6	14	10	Steel, galvanized	63	915	32	0.07			
223-12479-9	TB.FITT.ST SWVE 6-LL G 1/8 CF	LL	6	G 1/8	22	6	14	12	Steel, galvanized	63	915	35	0.08			
223-12479-8	TB.FITT.ST SWVE 8-LL G 1/8 CF	LL	8	G 1/8	23	6	14	14	Steel, galvanized	63	915	38	0.08			
223-12479-5	TB.FITT.ST SWVE 6-L G 1/8 CF	L	6	G 1/8	25	6	14	14	Steel, galvanized	160	2 320	43	0.09			
223-12284-7	TB.FITT.ST SWVE 8-L G 1/4 CF	L	8	G 1/4	28	9	19	17	Steel, galvanized	160	2 320	82	0.18			
223-12369-9	TB.FITT.ST SWVE10-L G 1/4 CF	L	10	G 1/4	29	9	19	22	Steel, galvanized	160	2 320	87	0.19			
223-13669-3	TB.FITT.ST SWVE12-L G 3/8 CF	L	12	G 3/8	30	9	19	22	Steel, galvanized	100	1 450	130	0.29			
445-513-181	TB.FITT.ST SWVE18-L G 1/2A CF	L	18	G 1/2	37	11	27	32	Steel, galvanized	100	1 450	317	0.70			
445-517-222	TB.FITT.ST SWVE22-L G 3/4 CF	L	22	G 3/4	42	13	32	36	Steel, galvanized	100	1 450	438	0.97			
223-12285-8	TB.FITT.ST SWVE 6-S G 1/4 CF	S	6	G 1/4	30	9	19	17	Steel, galvanized	160	2 320	88	0.19			
223-12285-9	TB.FITT.ST SWVE 8-S G 1/4 CF	S	8	G 1/4	30	9	19	19	Steel, galvanized	160	2 320	96	0.21			
223-12285-5	TB.FITT.ST SWVE10-S G 3/8 CF	S	10	G 3/8	32	9	22	22	Steel, galvanized	100	1 450	142	0.31			
223-12285-6	TB.FITT.ST SWVE12-S G 3/8 CF	S	12	G 3/8	33	9	24	24	Steel, galvanized	100	1 450	185	0.41			
96-7914-0058	TB.FITT.ST SWVE14-S G 1/2 CF	S	14	G 1/2	38	11	27	27	Steel, galvanized	100	1 450	234	0.52			
96-7916-0058	TB.FITT.ST SWVE16-S G 1/2 CF	S	16	G 1/2	40	11	27	30	Steel, galvanized	100	1 450	321	0.71			
223-12285-7	TB.FITT.ST SWVE20-S G 3/4 CF	S	20	G 3/4	46	13	32	36	Steel, galvanized	100	1 450	472	1.04			
Stainless steel																
223-12456-7	TB.FITT.VA SWVE 6-LL G 1/8	LL	6	G 1/8	22	6	14	12	Stainless steel	63	915	35	0.08			
223-10389-4	TB.FITT.VA SWVE 6-S G 1/4	L	6	G 1/4	22	9	19	17	Stainless steel	160	2 320	45	0.10			
223-12456-9	TB.FITT.VA SWVE 8-L G 1/4	L	8	G 1/4	28	9	19	17	Stainless steel	160	2 320	82	0.18			
223-12456-1	TB.FITT.VA SWVE 10-L G 1/4	L	10	G 1/4	29	9	19	22	Stainless steel	160	2 320	87	0.19			
223-14089-5	TB.FITT.VA SWVE 12-L G 3/8	L	12	G 3/8	30	9	19	22	Stainless steel	100	1 450	130	0.29			
223-14089-6	TB.FITT.VA SWVE 16-S G 1/2	S	16	G 1/2	40	11	27	30	Stainless steel	100	1 450	321	0.71			

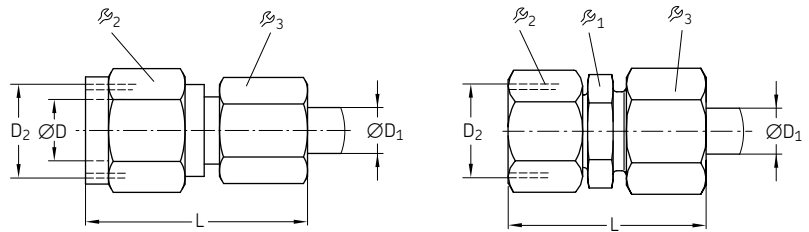
Banjo fittings WH (high-pressure)



Order number	Designation	Series	Tube		L ₁	L ₂	R ₁	R ₂	Material	Operating pressure max. Weight						
			ØD	D ₁						bar	psi	g	lb			
											mm	mm	mm	mm		
Steel, galvanized																
223-13679-8	TB.FITT.ST WH10-L G1/4A-KD CF	L	10	G 1/4	30	12	19	19	Steel, galvanized	315	4 570	123	0.27			
223-13679-3	TB.FITT.ST WH10-S G3/8A-KD CF	S	10	G 3/8	35	12	24	22	Steel, galvanized	400	5 800	212	0.47			
223-13679-9	TB.FITT.ST WH10-S M16x1,5-KD CF	S	10	M16x1,5	35	12	24	22	Steel, galvanized	315	4 570	220	0.49			
Stainless steel																
223-14238-4	TB.FITT.VA WH10-L G1/4	L	10	G 1/4	30	12	19	19	Stainless steel	315	4 570	123	0.27			

Double-edged cutting sleeve unions

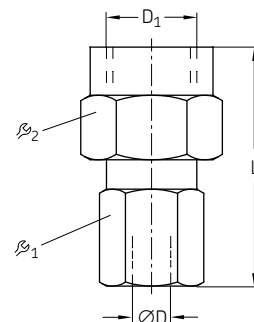
Reducing connectors RED with cylindrical thread



Order number	Designation	Series	Tube	Tube	D ₂	L	Ø ₁	Ø ₂	Ø ₃	Material	Operating pressure max.		Weight	
			ØD	ØD ₁							bar	psi	g	lb
96-1406-0060	TB.FITT.ST RED 6/ 4-LL CF	LL	6	4	M10×1	29	-	12	10	Steel, galvanized	100	1450	21	0.05
96-1408-0060	TB.FITT.ST RED 8/ 4-LL CF	LL	8	4	M12×1	29	-	14	10	Steel, galvanized	100	1450	28	0.06
96-1410-0060	TB.FITT.ST RED 8/ 6-LL CF	LL	8	6	M12×1	29	-	14	12	Steel, galvanized	100	1450	32	0.07
223-10670-3	TB.FITT.ST RED 8/ 6-L CF	L	8	6	M14×1,5	38,0	12	17	14	Steel, galvanized	500	7250	36	0.08
223-12582-5	TB.FITT.ST RED10/ 6-L CF	L	10	6	M16×1,5	40,0	14	19	14	Steel, galvanized	500	7250	48	0.11
223-14293-2	TB.FITT.ST RED12/10-L CF	L	12	10	M18×1,5	41,0	17	22	19	Steel, galvanized	400	5 800	63	0.14
223-14152-2	TB.FITT.ST RED15/ 8-L CF	L	15	8	M22×1,5	43,0	19	27	17	Steel, galvanized	400	5 800	102	0.22
223-14293-4	TB.FITT.ST RED15/10-L CF	L	15	10	M22×1,5	44,0	19	27	19	Steel, galvanized	400	5 800	104	0.23
96-1541-0060	TB.FITT.ST RED18/ 6-L CF	L	18	6	M26×1,5	43,0	24	32	14	Steel, galvanized	400	5 800	121	0.27
96-1542-0060	TB.FITT.ST RED18/ 8-L CF	L	18	8	M26×1,5	43,0	24	32	17	Steel, galvanized	400	5 800	128	0.28
96-1543-0060	TB.FITT.ST RED18/10-L CF	L	18	10	M26×1,5	44,0	24	32	19	Steel, galvanized	400	5 800	131	0.29
223-14293-8	TB.FITT.ST RED18/15-L CF	L	18	15	M26×1,5	45,0	24	32	27	Steel, galvanized	400	5 800	162	0.36
96-1551-0060	TB.FITT.ST RED22/ 6-L CF	L	22	6	M30×2	47,0	27	36	14	Steel, galvanized	250	3 625	170	0.37
223-12581-9	TB.FITT.ST RED22/15-L CF	L	22	15	M30×2	49,0	27	36	27	Steel, galvanized	250	3 625	211	0.47
96-1556-0060	TB.FITT.ST RED22/18-L CF	L	22	18	M30×2	50,0	27	36	32	Steel, galvanized	250	3 625	235	0.52
223-10688-1	TB.FITT.ST RED 8/ 6-S CF	S	8	6	M16×1,5	42	14	19	17	Steel, galvanized	800	11 600	61	0.13
223-10187-1	TB.FITT.ST RED10/ 6-S CF	S	10	6	M18×1,5	42	17	22	17	Steel, galvanized	800	11 600	74	0.16
223-13054-4	TB.FITT.ST RED10/ 8-S CF	S	10	8	M18×1,5	42	17	22	19	Steel, galvanized	800	11 600	81	0.18
223-12287-8	TB.FITT.ST RED12/ 8-S CF	S	12	8	M20×1,5	44	17	24	19	Steel, galvanized	630	9 140	91	0.20
223-12288-2	TB.FITT.ST RED12/10-S CF	S	12	10	M20×1,5	46	19	24	22	Steel, galvanized	630	9 140	109	0.24
96-1633-0060	TB.FITT.ST RED14/10-S CF	S	14	10	M22×1,5	47	19	27	22	Steel, galvanized	630	9 140	125	0.28
96-1642-0060	TB.FITT.ST RED16/ 8-S CF	S	16	8	M24×1,5	47	22	30	19	Steel, galvanized	630	9 140	137	0.30
223-14293-1	TB.FITT.ST RED16/10-S CF	S	16	10	M24×1,5	48	22	30	22	Steel, galvanized	630	9 140	149	0.33
96-1644-0060	TB.FITT.ST RED16/12-S CF	S	16	12	M24×1,5	48	22	30	24	Steel, galvanized	630	9 140	156	0.34
223-12577-8	TB.FITT.ST RED20/ 6-S CF	S	20	6	M30×2	51	27	36	17	Steel, galvanized	420	6 090	191	0.42
96-1652-0060	TB.FITT.ST RED20/ 8-S CF	S	20	8	M30×2	51	27	36	19	Steel, galvanized	420	6 090	197	0.43
223-12577-2	TB.FITT.ST RED20/10-S CF	S	20	10	M30×2	52	27	36	22	Steel, galvanized	420	6 090	208	0.46
223-12580-2	TB.FITT.ST RED20/12-S CF	S	20	12	M30×2	52	27	36	24	Steel, galvanized	420	6 090	215	0.47
223-13759-7	TB.FITT.ST RED20/16-S CF	S	20	16	M30×2	55	27	36	30	Steel, galvanized	420	6 090	254	0.56

Double-edged cutting sleeve unions

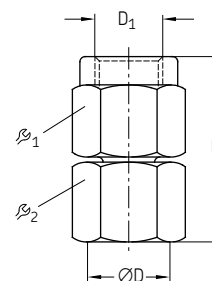
Connectors for pressure gauges MAV



Order number	Designation	Series	Tube	D ₁	L	ϕ ₁	ϕ ₂	Material	Operating pressure max.		Weight	
			ØD						bar	psi	g	lb
				mm	mm	mm	mm					
Steel, galvanized												
223-12481-4	TB.FITT.ST MAV 6-L G 1/4 CF	L	6	G 1/4	37	19	14	Steel, galvanized	315	4 570	49	0.11
223-12481-6	TB.FITT.ST MAV 8-L G 1/4 CF	L	8	G 1/4	37	19	17	Steel, galvanized	315	4 570	55	0.12
223-13028-2	TB.FITT.ST MAV10-L G 1/4 CF	L	10	G 1/4	38	19	19	Steel, galvanized	315	4 570	62	0.14
223-12481-8	TB.FITT.ST MAV12-L G 1/4 CF	L	12	G 1/4	38	19	22	Steel, galvanized	315	4 570	71	0.16
441-108-132	TB.FITT.ST MAV 8-S G 1/2 CF	S	8	G 1/2	46	27	19	Steel, galvanized	630	9 140	105	0.23
223-13028-4	TB.FITT.ST MAV10-S G 1/2 CF	S	10	G 1/2	47	27	22	Steel, galvanized	630	9 140	111	0.24
223-12286-8	TB.FITT.ST MAV12-S G 1/2 CF	S	12	G 1/2	47	27	24	Steel, galvanized	630	9 140	131	0.29
Stainless steel												
223-13685-3	TB.FITT.VA MAV 6-L G 1/4 CF	L	6	G 1/4	37	19	14	Stainless steel	315	4 570	49	0.11
223-13685-1	TB.FITT.VA MAV10-S G 1/2 CF	S	10	G 1/2	47	27	22	Stainless steel	630	9 140	111	0.24

Connectors for pressure gauges MAVE

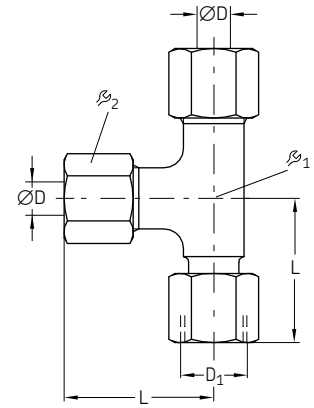
(Swivel with O-ring)



Order number	Designation	Series	Tube	D ₁	L	ϕ ₁	ϕ ₂	Material	Operating pressure max.		Weight	
			ØD						bar	psi	g	lb
				mm	mm	mm	mm					
Steel, galvanized												
96-8804-0058	TB.FITT.ST MAVE 4-L G 1/4 CF	L	4	G 1/4	33	19	10	Steel, galvanized	315	4 570	42	0.09
223-13655-1	TB.FITT.ST MAVE 6-L G 1/4 CF	L	6	G 1/4	35,5	19	14	Steel, galvanized	315	4 570	46	0.10
223-10889-2	TB.FITT.ST MAVE 8-L G 1/4 CF	L	8	G 1/4	35,5	19	17	Steel, galvanized	315	4 570	52	0.11
223-13655-7	TB.FITT.ST MAVE10-L G 1/4 CF	L	10	G 1/4	36,0	19	19	Steel, galvanized	315	4 570	59	0.13
223-14268-4	TB.FITT.ST MAVE12-L G 1/4 CF	L	12	G 1/4	36,0	19	22	Steel, galvanized	315	4 570	70	0.15
96-8906-0058	TB.FITT.ST MAVE 6-S G 1/2 CF	S	6	G 1/2	42,5	27	17	Steel, galvanized	630	9 140	95	0.21
223-13655-2	TB.FITT.ST MAVE10-S G 1/2 CF	S	10	G 1/2	43,5	27	22	Steel, galvanized	630	9 140	109	0.24
223-13655-4	TB.FITT.ST MAVE12-S G 1/2 CF	S	12	G 1/2	45,0	27	24	Steel, galvanized	630	9 140	125	0.28
Stainless steel												
223-14268-7	TB.FITT.VA MAVE 6-L G 1/4 CF	L	6	G 1/4	35,5	19	14	Stainless steel	315	4 570	46	0.10
223-13655-5	TB.FITT.VA MAVE10-S G 1/2 CF	S	10	G 1/2	43,5	27	22	Stainless steel	630	9 140	109	0.24

Double-edged cutting sleeve unions

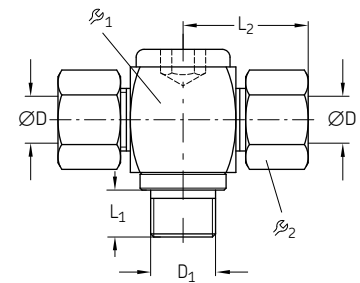
L-connectors EL, EVL directionally adjustable



Order number	Designation	Series	Tube	L	β_1	β_2	Material	Operating pressure max. Weight				
			ØD					ØD ₁	mm	bar	psi	g
Steel, galvanized												
223-14190-6	TB.FITT.ST EL 6-L CF	L	6	M12×1,5	27	12	14	Steel, galvanized	500	7 250	68	0.15
223-14190-7	TB.FITT.ST EL 8-L CF	L	8	M14×1,5	29	12	17	Steel, galvanized	500	7 250	87	0.19
223-13040-9	TB.FITT.ST EL 10-L CF	L	10	M16×1,5	30	14	19	Steel, galvanized	500	7 250	110	0.24
223-13761-5	TB.FITT.ST EL 12-L CF	L	12	M18×1,5	32	17	22	Steel, galvanized	400	5 800	151	0.33
223-14190-5	TB.FITT.ST EL 15-L CF	L	15	M22×1,5	36	19	27	Steel, galvanized	400	5 800	245	0.54
443-418-181	TB.FITT.ST EL 18-L CF	L	18	M26×1,5	40	24	32	Steel, galvanized	400	5 800	369	0.81
223-13040-3	TB.FITT.ST EL 6-S CF	S	6	M14×1,5	31	12	17	Steel, galvanized	800	11 600	103	0.23
223-13040-7	TB.FITT.ST EL 8-S CF	S	8	M16×1,5	32	14	19	Steel, galvanized	800	11 600	130	0.29
223-14190-2	TB.FITT.ST EL 10-S CF	S	10	M18×1,5	34	17	22	Steel, galvanized	800	11 600	136	0.30
223-14190-4	TB.FITT.ST EL 12-S CF	S	12	M20×1,5	38	17	24	Steel, galvanized	630	9 140	212	0.47
223-14190-1	TB.FITT.ST EL 16-S CF	S	16	M24×1,5	43	24	30	Steel, galvanized	630	9 140	404	0.89
223-13761-7	TB.FITT.ST EL 20-S CF	S	20	M30×2	48	27	36	Steel, galvanized	420	6 090	601	1.33
443-410-211	TB.FITT.ST EVL 10-S G3/8A CF	S	10	G 3/8	34	17	22	Steel, galvanized	630	9 140	226	0.50
443-410-161	TB.FITT.ST EVL 10-L G1/4A CF	L	10	G 1/4	30	14	19	Steel, galvanized	250	3 625	132	0.29
Stainless steel												
223-14244-8	TB.FITT.VA EL 10-L	L	10	M16×1,5	30	14	19	Stainless steel	315	4 570	110	0.24
223-14244-6	TB.FITT.VA EL 20-S	S	20	M30×2	48	27	36	Stainless steel	400	5 800	601	1.33

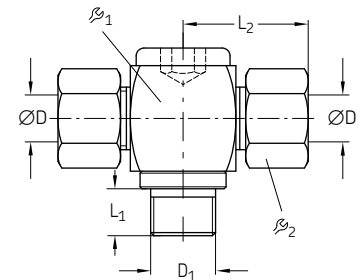
Double-edged cutting sleeve unions

Screw-in T-connectors TE, TH with metrical thread



Order number	Designation	Tube		L ₁	L ₂	ϕ ₁	ϕ ₂	Material	Operating pressure max.		Weight	
		Series	ØD D ₁						bar	psi	g	lb
		mm	mm	mm	mm	mm	mm					
96-6404-0058	TB.FITT.ST TE 4-LL M 8x1,0 K CF	LL	4 M8x1 tap.	8	21	9	10	Steel, galvanized	100	1 450	19	0.04
96-6406-0058	TB.FITT.ST TE 6-LL M 10x1,0 K CF	LL	6 M10x1 tap.	8	21	11	12	Steel, galvanized	100	1 450	40	0.09
96-6408-0058	TB.FITT.ST TE 8-LL M 10x1,0 K CF	LL	8 M10x1 tap.	8	23	12	14	Steel, galvanized	100	1 450	30	0.07
96-0906-0058	TB.FITT.ST TE 6-L M 10x1,0 K CF	L	6 M10x1 tap.	8	27	12	14	Steel, galvanized	250	3 625	50	0.11
445-910-551	TB.FITT.ST TE10-L M14x1,5K CF	L	10 M14x1,5 tap.	12	30	14	19	Steel, galvanized	250	3 625	100	0.22
96-1806-0058	TB.FITT.ST TE 6-S M 12x1,5 K CF	S	6 M12x1,5 tap.	12	31	14	17	Steel, galvanized	400	5 800	67	0.15
96-1808-0058	TB.FITT.ST TE 8-S M 14x1,5 K CF	S	8 M14x1,5 tap.	12	32	14	19	Steel, galvanized	400	5 800	100	0.22
445-735-101	TB.FITT.ST TH 10-L M 14x1,5 K CF	L	10 M14x1,5	12	30	19	19	Steel, galvanized	315	3 625	154	0.34
445-739-151	TB.FITT.ST TH 15-L M 18x1,5 K CF	L	15 M18x1,5	14	37	30	32	Steel, galvanized	250	3 625	352	0.78

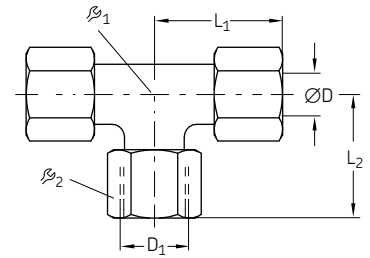
Screw-in T-connectors TE, TH with Whitworth pipe thread



Order number	Designation	Tube		L ₁	L ₂	ϕ ₁	ϕ ₂	Material	Operating pressure max.		Weight	
		Series	ØD D ₁						bar	psi	g	lb
		mm	mm	mm	mm	mm	mm					
96-6304-0058	TB.FITT.ST TE 4-LL R 1/8K CF	LL	4 R ¹ / ₈	8	21	10	11	Steel, galvanized	100	1 450	14	0.03
96-6306-0058	TB.FITT.ST TE 6-LL R 1/8K CF	LL	6 R ¹ / ₈	8	21	11	12	Steel, galvanized	100	1 450	26	0.06
96-6308-0058	TB.FITT.ST TE 8-LL R 1/8K CF	LL	8 R ¹ / ₈	8	23	12	14	Steel, galvanized	100	1 450	32	0.07
96-0806-0058	TB.FITT.ST TE 6-L R 1/8K CF	L	6 R ¹ / ₈	8	27	12	14	Steel, galvanized	250	3 625	38	0.08
96-0808-0058	TB.FITT.ST TE 8-L R 1/4K CF	L	8 R ¹ / ₄	12	29	14	17	Steel, galvanized	250	3 625	75	0.17
96-0810-0058	TB.FITT.ST TE 10-L R 1/4K CF	L	10 R ¹ / ₄	12	30	14	19	Steel, galvanized	250	3 625	100	0.22
96-0818-0058	TB.FITT.ST TE 18-L R 1/2K CF	L	18 R ¹ / ₂	14	40	24	32	Steel, galvanized	250	3 625	149	0.33
96-1706-0058	TB.FITT.ST TE 6-S R 1/4K CF	S	6 R ¹ / ₄	12	31	12	17	Steel, galvanized	400	5 800	100	0.22
445-721-121	TB.FITT.ST TH12-L G 3/8 CF	L	12 R ³ / ₈	12	33	24	22	Steel, galvanized	315	4 570	249	0.55
445-713-151	TB.FITT.ST TH 15-L G 1/2 CF	L	15 R ¹ / ₂	14	37	30	27	Steel, galvanized	315	4 570	415	0.92
445-717-221	TB.FITT.ST TH 22-L G 3/4 CF	L	22 R ³ / ₄	16	44	36	36	Steel, galvanized	160	2 320	763	1.68

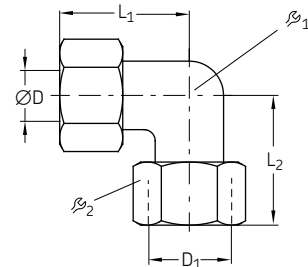
Double-edged cutting sleeve unions

Swivel nut branch ET



Order number	Designation	Series	Tube		L ₁	L ₂	R ₁	R ₂	Material	Operating pressure max.		Weight	
			ØD	D ₁						bar	psi	g	lb
			mm	mm	mm	mm	mm	mm					
223-14189-6	TB.STUD ST ET 6-L CF	L	6	M12×1,5	27	26	12	14	Steel, galvanized	500	7 250	68	0.15
223-13040-1	TB.STUD ST ET 8-L CF	L	8	M14×1,5	29	26,5	12	17	Steel, galvanized	500	7 250	87	0.19
223-14189-1	TB.STUD ST ET10-L CF	L	10	M16×1,5	30	29	14	19	Steel, galvanized	500	7 250	113	0.25
223-13785-8	TB.STUD ST ET12-L CF	L	12	M18×1,5	32	29,5	17	22	Steel, galvanized	400	5 800	153	0.34
223-14189-7	TB.STUD ST ET15-L CF	L	15	M22×1,5	36	32,5	19	27	Steel, galvanized	400	5 800	253	0.56
96-3118-0060	TB.STUD ST ET18-L CF	L	18	M26×1,5	40	35,5	24	32	Steel, galvanized	400	5 800	375	0.83
96-3122-0060	TB.STUD ST ET22-L CF	L	22	M30×1,5	44	38,5	27	36	Steel, galvanized	250	3 625	486	1.07
445-806-351	TB.STUD ST ET 6-S CF	S	6	M14×1,5	31	27	12	17	Steel, galvanized	800	11 600	101	0.22
223-10374-3	TB.STUD ST ET 8-S CF	S	8	M16×1,5	32	27,5	14	19	Steel, galvanized	800	11 600	135	0.30
223-14189-5	TB.STUD ST ET10-S CF	S	10	M18×1,5	34	30	17	22	Steel, galvanized	800	11 600	181	0.40
223-14189-9	TB.STUD ST ET12-S CF	S	12	M20×1,5	38	31	17	24	Steel, galvanized	630	9 140	212	0.47
223-14189-2	TB.STUD ST ET16-S CF	S	16	M24×1,5	43	36,5	24	30	Steel, galvanized	630	9 140	383	0.84
223-14189-3	TB.STUD ST ET20-S CF	S	20	M30×1,5	48	44,5	27	36	Steel, galvanized	420	6 090	614	1.35

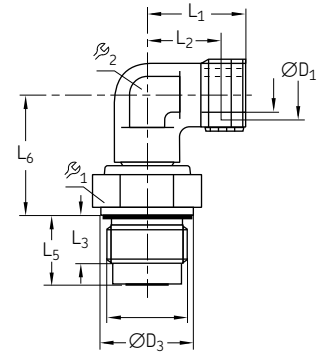
Swivel nut elbow EW



Order number	Designation	Series	Tube		L ₁	L ₂	R ₁	R ₂	Material	Operating pressure max.		Weight	
			ØD	D ₁						bar	psi	g	lb
			mm	mm	mm	mm	mm	mm					
223-14171-1	TB.STUD ST EW 6-L CF	L	6	M12×1,5	27	26	12	14	Steel, galvanized	500	7 250	46	0.10
223-14102-3	TB.STUD ST EW 8-L CF	L	8	M14×1,5	29	27,5	12	17	Steel, galvanized	500	7 250	59	0.13
443-306-343	TB.STUD ST EW 6-S CF	S	6	M14×1,5	31	27	12	17	Steel, galvanized	800	11 600	67	0.15
223-14171-8	TB.STUD ST EW10-S CF	S	10	M18×1,5	34	30	17	22	Steel, galvanized	800	11 600	126	0.28
223-14171-4	TB.STUD ST EW16-S CF	S	16	M24×1,5	43	36,5	24	30	Steel, galvanized	630	9 140	284	0.63
223-14171-5	TB.STUD ST EW20-S CF	S	20	M30×1,5	48	44,5	27	36	Steel, galvanized	420	6 090	422	0.93

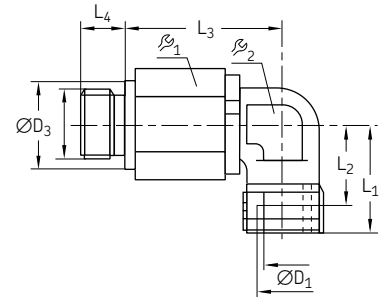
Double-edged cutting sleeve unions

Swivels DVWE



Order number	Designation	Tube Ø	Ø D ₁	Series	Speed	Operation pressure		Material	Weight	
					max.	max.			g	lb
		mm	in		min ⁻¹	bar	psi			
Steel galvanized										
223-13694-6	TB.FITT.ST DVWE10-L G 3/8A CF 10		G 3/8	L	21	40	580	Steel galvanized	83	0.18
223-13694-1	TB.FITT.ST DVWE10-S G 3/8A CF 10		G 3/8	S	9	100	1 450	Steel galvanized	103	0.23
Stainless steel										
223-13694-7	TB.FITT.VA DVWE10-L G 3/8A	10	G 3/8	L	21	40	580	Stainless steel	83	0.18
223-13694-3	TB.FITT.VA DVWE10-S G 3/8A	10	G 3/8	S	9	100	1 450	Stainless steel	103	0.23

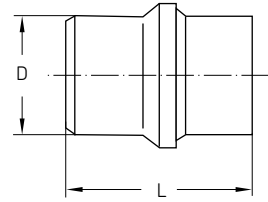
Swivels DG



Order number	Designation	Tube Ø	Ø D ₁	Series	Speed	Operation pressure		Material	Weight	
					max.	max.			g	lb
		mm	in		min ⁻¹	bar	psi			
223-13655-7	TB.FITT.ST DG104/6-S G 1/4A CF 6	6	G 1/4	S	400	100	1 450	Steel galvanized	131	0.29
223-13655-8	TB.FITT.ST DG104/8-S G 1/4A CF 8	8	G 1/4	S	400	100	1 450	Steel galvanized	135	0.30
223-13655-9	TB.FITT.ST DG104/12-S G 3/8A CF 12	12	G 3/8	S	200	100	1 450	Steel galvanized	284	0.62

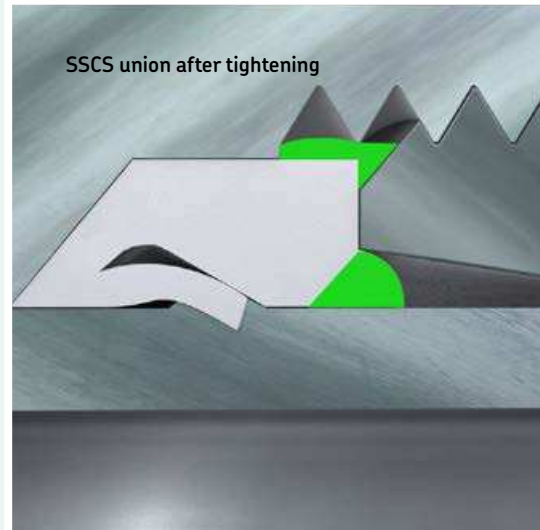
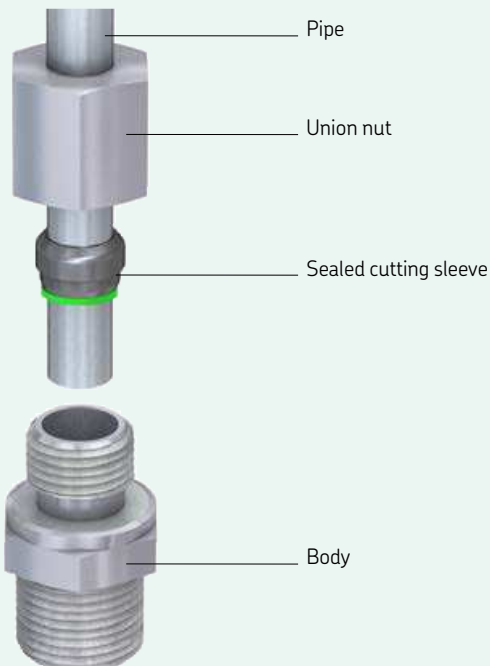
Double-edged cutting sleeve unions

Blanking plug for cones BUZ



Order number	Designation	Series	D	L	Material	Operating pressure max.		Weight	
			mm	mm		bar	psi	g	lb
Steel galvanized									
223-13640-1	PLUG ST BUZ 6-L/S CF	L/S	6	19,5	Steel, galvanized	315	4 570	5	0.01
223-13640-5	PLUG ST BUZ 8-L/S CF	L/S	8	19,5	Steel, galvanized	315	4 570	8	0.02
223-13640-3	PLUG ST BUZ10 -L/S CF	L/S	10	21,0	Steel, galvanized	315	4 570	13	0.03
223-13640-4	PLUG ST BUZ12 -L/S CF	L/S	12	21,8	Steel, galvanized	315	4 570	20	0.04
223-13640-9	PLUG ST BUZ18 -L CF	L/S	18	24,0	Steel, galvanized	315	4 570	45	0.10
223-13640-8	PLUG ST BUZ16 -S CF	S	16	25,5	Steel, galvanized	400	5 800	39	0.09
223-13640-2	PLUG ST BUZ20 -S CF	S	20	30,5	Steel, galvanized	400	5 800	73	0.16
Stainless steel									
223-14215-5	PLUG VA BUZ 6-L/S	L/S	6	19,5	Stainless steel	315	4 570	5	0.01
223-14215-3	PLUG VA BUZ10 -L/S	L/S	10	21,0	Stainless steel	315	4 570	13	0.03
223-14215-2	PLUG VA BUZ12 -L/S	L/S	12	21,8	Stainless steel	315	4 570	20	0.04
223-10638-3	PLUG VA BUZ16 -S	S	16	25,5	Stainless steel	400	5 800	39	0.09
223-14215-4	PLUG VA BUZ20 -S	S	20	30,5	Stainless steel	400	5 800	73	0.16

Soft-seal cutting sleeve union (SSCS)



Description

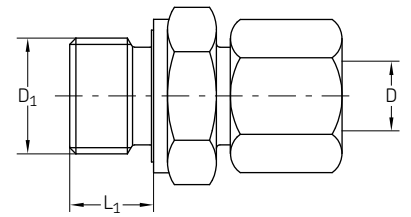
Soft-seal cutting sleeve unions (SSCS) consist of a union nut, a cutting sleeve, a support ring with soft seal, and a body with another soft seal. To mount the union, the union nut and the sealed cutting sleeve have to be put on the pipe end. All parts must be aligned as shown on the illustration above. Then the pipe end can be pushed into the body before tightening the union nut. During that process, the sealed cutting sleeve cuts into the pipe to seal the connection as shown in the illustration above. In addition, the union also is sealed by the soft seal.

Features and benefits

- Compact installation dimensions
- Virtually leakage-free, high-pressure union
- Recommended for high-pressure oil and grease applications
- Common fitting system for high-pressure systems
- Higher nominal pressures than DECS unions (series "L" can often be used instead of "S")
- High sealing capacity, especially with low-viscosity media (e.g. no sweating with low-viscosity oils)
- Easy assembly by tightening the union nut to the stop (no risk of under- or over-assembly)
- Pipe vibration dampening resulting from pipe fixation during assembly (caused by SSCS union)
- Wide operating temperature range from -25 to 80 °C
- Tightening forces 25% lower than TECS unions

Soft-seal cutting sleeve union

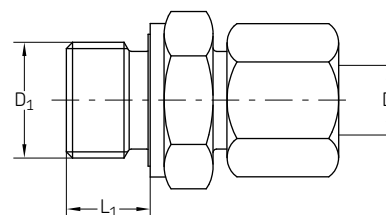
Straight screw-in connectors GEZ



Order number	Designation	Tube Series	ØD	L	L ₁	R ₁	R ₂	Material	Operating pressure max.		Weight		
			ØD ₁						bar	psi	g	lb	
			mm	mm	mm	mm	mm						
471-004-191	TB.FITT.ST GE 4Z-LL G 1/8A-ED CF	LL	4	G 1/8	19	6,5	14	10	Steel galvanized	100	1450	15	0.03
471-004-311	TB.FITT.ST GE 4Z-LL M 10x1,0 ED CF	LL	4	M10x1	26	8	10	10	Steel galvanized	100	1450	15	0.03
471-006-192	TB.FITT.ST GE 6Z-L G 1/8A ED CF	L	6	G 1/8	23	8	14	14	Steel galvanized	500	7250	25	0.06
471-006-161	TB.FITT.ST GE 6Z-L G 1/4A ED CF	L	6	G 1/4	25	12	19	14	Steel galvanized	500	7250	40	0.09
471-006-311	TB.FITT.ST GE 6Z-L M 10x1,0 ED CF	L	6	M10x1	23	8	14	14	Steel galvanized	500	7250	25	0.06
471-006-351	TB.FITT.ST GE 6Z-L M 14x1,5 ED CF	L	6	M14x1,5	27	12	14	14	Steel galvanized	400	5800	44	0.10
471-008-130	TB.FITT.ST GE 8Z-L G 1/8A ED CF	L	8	G 1/8	24	8	14	17	Steel galvanized	500	7250	33	0.07
471-008-161	TB.FITT.ST GE 8Z-L G 1/4A ED CF	L	8	G 1/4	25	12	19	17	Steel galvanized	500	7250	44	0.10
471-008-131	TB.FITT.ST GE 8Z-L G 1/2A ED CF	L	8	G 1/2	27	14	27	17	Steel galvanized	400	5800	90	0.20
471-008-211	TB.FITT.ST GE 8Z-L G 3/8A ED CF	L	8	G 3/8	26	12	22	17	Steel galvanized	400	5800	60	0.13
471-008-314	TB.FITT.ST GE 8Z-L M 10x1,0 ED CF	L	8	M10x1	34	7	17	14	Steel galvanized	45	650	40	0.09
471-008-345	TB.FITT.ST GE 8Z-L M 12x1,5 ED CF	L	8	M12x1,5	25	12	17	17	Steel galvanized	500	7250	37	0.08
471-008-391	TB.FITT.ST GE 8Z-L M 18x1,5 ED CF	L	8	M18x1,5	38	11	24	17	Steel galvanized	400	5800	70	0.15
471-010-161	TB.FITT.ST GE 10Z-L G 1/4A ED CF	L	10	G 1/4	26	12	19	19	Steel galvanized	500	7250	50	0.11
471-010-211	TB.FITT.ST GE 10Z-L G 3/8A ED CF	L	10	G 3/8	27	12	22	22	Steel galvanized	400	5800	60	0.13
471-010-312	TB.FITT.ST GE 10Z-L M 10x1,0 ED CF	L	10	M10x1	32	8	19	17	Steel galvanized	500	7250	43	0.09
471-010-351	TB.FITT.ST GE 10Z-L M 14x1,5 ED CF	L	10	M14x1,5	26	12	19	19	Steel galvanized	500	7250	50	0.11
471-010-391	TB.FITT.ST GE 10Z-L M 18x1,5 ED CF	L	10	M18x1,5	27	12	24	19	Steel galvanized	400	5800	75	0.17
471-012-161	TB.FITT.ST GE 12Z-L G 1/4A ED CF	L	12	G 1/4	27	12	19	22	Steel galvanized	400	5800	58	0.13
471-012-211	TB.FITT.ST GE 12Z-L G 3/8A ED CF	L	12	G 3/8	27	12	22	22	Steel galvanized	400	5800	73	0.16
471-012-391	TB.FITT.ST GE 12Z-L M 18x1,5 ED CF	L	12	M18x1,5	27	12	24	22	Steel galvanized	400	5800	120	0.26
471-008-351	TB.FITT.ST GE 8Z-S M 14x1,5 ED CF	S	8	M14x1,5	30	12	19	19	Steel galvanized	400	5800	50	0.11

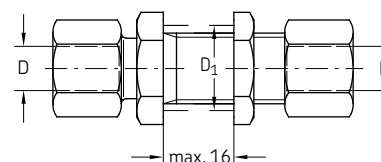
Soft-seal cutting sleeve union

Straight screw-in connectors with shortened thread and function nut GEZ (short)



Order number	Designation	Tube Series	ØD	ØD ₁	L ₁	R ₁	R ₂	Material	Operating pressure max.		Weight	
									bar	psi	g	lb
			mm	mm	mm	mm	mm					
471-006-320	TB.FITT ST GE 6Z-LL M 10x1,0 ED CF (SHORT)	LL	6	M10x1	31	14	14	Steel galvanized	100	1 450	27	0.06
471-006-319	TB.FITT ST GE 6Z-LL M 12x1,0 ED CF (SHORT)	LL	6	M12x1	31	14	19	Steel galvanized	100	1 450	40	0.09
471-008-312	TB.FITT ST GE 8Z-LL M 10x1,0 ED CF (SHORT)	LL	8	M10x1	34	17	14	Steel galvanized	100	1 450	35	0.08
471-008-318	TB.FITT ST GE 8Z-LL M 12x1,0 ED CF (SHORT)	LL	8	M12x1	32	17	19	Steel galvanized	100	1 450	70	0.15
471-010-312	TB.FITT ST GE 10Z-LL M 10x1,0 ED CF (SHORT)	LL	10	M10x1	32	19	17	Steel galvanized	100	1 450	43	0.09
471-010-318	TB.FITT ST GE 10Z-LL M 12x1,0 ED CF (SHORT)	LL	10	M12x1	34	19	19	Steel galvanized	100	1 450	45	0.10
471-012-312	TB.FITT ST GE 12Z-LL M 10x1,0 ED CF (SHORT)	LL	12	M10x1	36	22	22	Steel galvanized	100	1 450	57	0.13
471-012-313	TB.FITT ST GE 12Z-LL M 12x1,0 ED CF (SHORT)	LL	12	M12x1	34	22	22	Steel galvanized	100	1 450	51	0.11

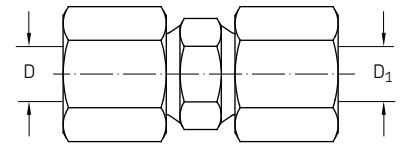
Straight bulkhead connectors with function nut SVZ



Order number	Designation	Tube Series	ØD	D ₁	L ₁	L ₂	R ₁	R ₂	R ₃	Material	Operating pressure max.		Weight	
											bar	psi	g	lb
			mm	mm	mm	mm	mm	mm	mm					
474-606-331	TB.FITT.ST SV 6Z-L CF	L	6	12,5	22	42	17	17	14	Steel galvanized	500	7 250	61	0.13
474-608-351	TB.FITT.ST SV 8Z-L CF	L	8	14,5	23	42	19	19	17	Steel galvanized	500	7 250	83	0.18
474-610-351	TB.FITT.ST SV10Z-L CF	L	10	16,5	25	43	22	22	19	Steel galvanized	500	7 250	100	0.22
474-612-391	TB.FITT.ST SV12Z-L CF	L	12	18,5	25	44	24	24	22	Steel galvanized	400	5 800	134	0.30
474-615-431	TB.FITT.ST SV15Z-L CF	L	15	22,5	27	46	27	30	27	Steel galvanized	400	5 800	224	0.49
474-618-441	TB.FITT.ST SV18Z-L CF	L	18	26,5	30	49	32	36	32	Steel galvanized	400	5 800	344	0.76

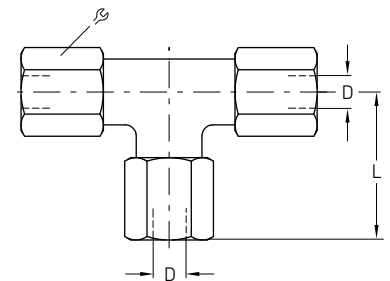
Soft-seal cutting sleeve union

Straight connectors (tube to tube) with function nut GZ



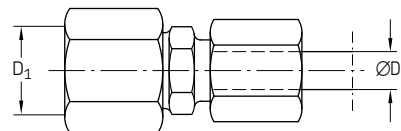
Order number	Designation	Series	Tube	L	\varnothing	Material	Operating pressure max.		Weight	
			\varnothing D				mm	mm	mm	bar
474-506-061	TB.FITT.ST G 6Z-L CF	L	6	39	14	Steel galvanized	500	7 250	35	0.08
474-508-081	TB.FITT.ST G 8Z-L CF	L	8	40	17	Steel galvanized	500	7 250	50	0.11
474-510-101	TB.FITT.ST G10Z-L CF	L	10	42	19	Steel galvanized	500	7 250	64	0.14
474-512-121	TB.FITT.ST G12Z-L CF	L	12	43	22	Steel galvanized	400	5 800	87	0.19
474-515-151	TB.FITT.ST G15Z-L CF	L	15	46	27	Steel galvanized	400	5 800	144	0.32
474-518-181	TB.FITT.ST G18Z-L CF	L	18	48	32	Steel galvanized	400	5 800	200	0.44

T-connectors with function nut TZ



Order number	Designation	Series	Tube	L	\varnothing	Material	Operating pressure max.		Weight	
			\varnothing D				mm	mm	mm	bar
476-006-001	TB.FITT.ST T 6Z-L CF	L	6	27	14	Steel galvanized	500	7 250	70	0.15
476-008-001	TB.FITT.ST T 8Z-L CF	L	8	29	17	Steel galvanized	500	7 250	90	0.20
476-010-001	TB.FITT.ST T10Z-L CF	L	10	30	19	Steel galvanized	500	7 250	114	0.25
476-012-001	TB.FITT.ST T12Z-L CF	L	12	32	22	Steel galvanized	400	5 800	153	0.34
476-015-001	TB.FITT.ST T15Z-L CF	L	15	36	27	Steel galvanized	400	5 800	241	0.53

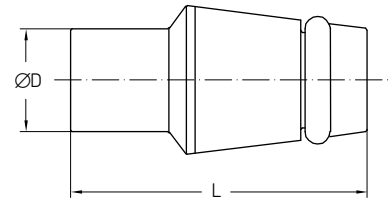
Soft-seal cutting sleeve union

Reducing connectors
with function nut REDZ

Order number	Designation	Series	Tube			L	R_{1}	R_{2}	R_{3}	Material	Operating pressure max.		Weight	
			ØD	D ₁	D ₂						bar	psi	g	lb
			mm	mm	mm	mm	mm	mm	mm					
473-810-371	TUB.STUD RED ST10/ 6Z-S CF S		10	6	M18x1,5	42	17	22	17	Steel galvanized	800	11 600	48	0.11
473-806-351	TUB.STUD RED ST 8/ 6Z-L CF L		8	6	M14x1,5	38	12	17	14	Steel galvanized	500	7 250	40	0.09
473-808-371	TUB.STUD RED ST10/ 8Z-L CF L		10	8	M16x1,5	40	17	22	17	Steel galvanized	500	7 250	58	0.13
473-806-391	TUB.STUD RED ST12/ 6Z-L CF L		12	6	M20x1,5	40	17	22	14	Steel galvanized	400	5 800	60	0.13
473-808-392	TUB.STUD RED ST12/ 8Z-L CF L		12	8	M18x1,5	40	17	22	17	Steel galvanized	400	5 800	69	0.15
473-810-391	TUB.STUD RED ST12/10Z-L CF L		12	10	M18x1,5	41	17	22	19	Steel galvanized	400	5 800	72	0.16

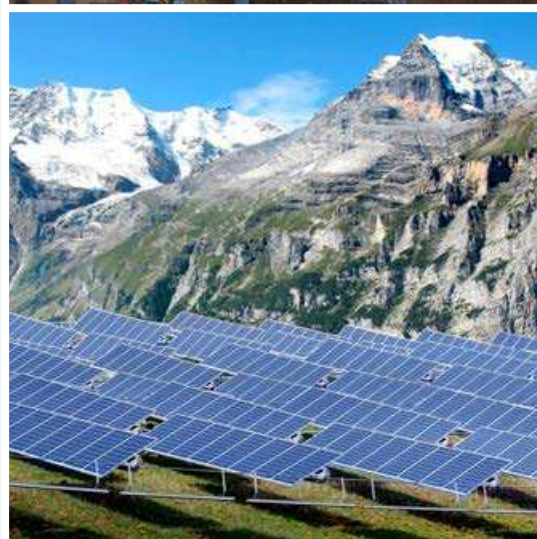
Soft-seal cutting sleeve union

Cone plugs VKA



Order number	Designation	Series	Tube		Material	Operating pressure max.		Weight		
			$\varnothing D$	L		bar	psi	g	lb	
Steel galvanized										
223-10297-5	BLANKING PLUG ST VKA 6-L/S CF	L/S	6	18,5	Steel galvanized	800	11 600	6	0.01	
460-708-001	BLANKING PLUG ST VKA 8-L CF	L	8	18,5	Steel galvanized	500	7 250	9	0.02	
223-10297-6	BLANKING PLUG ST VKA10-L/S CF	L/S	10	15	Steel galvanized	800	11 600	15	0.03	
223-10297-9	BLANKING PLUG ST VKA12-L/S CF	L/S	12	21	Steel galvanized	630	9 140	21	0.05	
223-10297-7	BLANKING PLUG ST VKA20-S CF	S	20	28,5	Steel galvanized	420	6 090	78	0.17	
223-14241-2	BLANKING PLUG ST VKA30-S CF	S	30	30,5	Steel galvanized	420	6 090	180	0.40	
Stainless steel										
223-14241-9	BLANKING PLUG VA VKA10-L/S	L/S	10	15	Stainless steel	630	9 140	15	0.03	
223-10297-1	BLANKING PLUG VA VKA20-S	S	20	28,5	Stainless steel	400	5 800	78	0.17	
223-14241-5	BLANKING PLUG VA VKA30-S	S	30	30,5	Stainless steel	400	5 800	180	0.40	

Adapters, plugs and washers



Description

Adapter fittings are used where no standard fittings are available or may require too much space. In fact, adapter fittings are not an ideal solution due to the risk of an additional leakage point in the system. Therefore, the adapter fitting sealing, material, design and operation pressure must be considered during the selection process. SKF offers adapters for various applications with suitable operating pressures, fittings, seals and designs.

Adapter fittings, plugs and washers are available in various designs to serve different application requirements for system pressure:

- 45 bar designs
- 350 bar designs
- LL (very light, max. 100 bar)
- L (light, max. 500 bar)
- S (heavy, max. 800 bar)

Features and benefits

- Fast and virtually leakage-free connection
- Designs for almost every application
- Space-saving small design

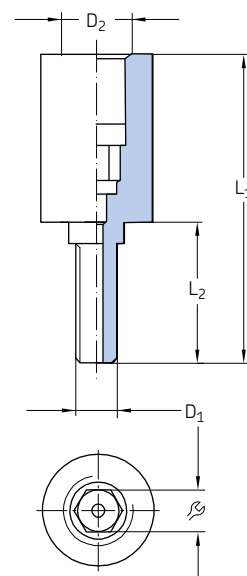


Applications

- Food and beverage industry
- Renewable energy industry
- Construction machinery
- Material handling
- On-road vehicles
- Machine tools
- Etc.

Adapter fittings

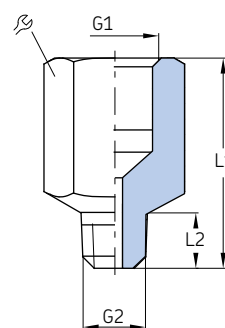
Reducing connectors with cylindrical thread
for operating pressures up to 45 bar
(sealed by flat washer acc. to DIN 7603)



Order number	Designation	D ₁	D ₂	L ₁	L ₂	⌀	Material	Weight	
								mm	mm
843-130-021	ADAPTER ST M 3Ax M 5I CF	M3	M5	22	10	3 ¹⁾	Steel, galvanized surface	4	0.01
843-130-022	ADAPTER ST M 4Ax M 5I CF	M4	M5	22	10	3 ¹⁾	Steel, galvanized surface	5	0.01
843-130-023	ADAPTER ST M 5Ax M 5I CF	M5	M5	22	10	3 ¹⁾	Steel, galvanized surface	11	0.02

¹⁾ Female thread

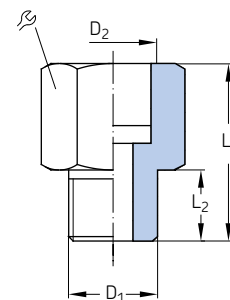
Reducing connectors with tapered thread
for operating pressures up to 45 bar



Order number	Designation	G ₁	G ₂	L ₁	L ₂	⌀	Material	Weight	
								mm	mm
406-044-S1	ADAPTER ST M10X1AKx R1/4I CF	M10x1 tap.	R 1/4	22,5	8	17	Steel, galvanized surface	20	0.04

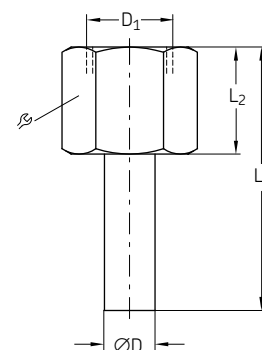
Adapter fittings

Reducing connectors with cylindrical thread for operating pressures up to 45 bar (sealed by flat washer acc. to DIN 7603)



Order number	Designation	D ₁	D ₂	L ₁	L ₂	⌀	Material	Weight	
								mm	mm
Steel, galvanized surface									
401-013-161	ADAPTER ST G1/4Ax G1/2I CF	G 1/4 A	G 1/2	40	12	27	Steel, galvanized surface	114	0.25
401-011-132	ADAPTER ST G1/2Ax G1I CF	G 1/2 A	G 1	49	14	41	Steel, galvanized surface	222	0.49
433-890-131	ADAPTER ST G1/2Ax G1 1/4I CF	G 1/2 A	G 1 1/4	53	14	55	Steel, galvanized surface	210	0.46
401-013-171	ADAPTER ST G1/4Ax G1/2I CF	G 3/4 A	G 1/2	41	16	32	Steel, galvanized surface	140	0.31
P-78.01	ADAPTER ST M12x1Ax G1/4I CF	M12x1	G 1/4	27	8,5	19	Steel, galvanized surface	31	0.07
401-016-371	ADAPTER ST M16x1,5Ax G1/4I CF	M16x1.5	G 1/4	30	12	19	Steel, galvanized surface	39	0.09
243-001.10	ADAPTER ST M16x1,5Ax G1/2I CF	M16x1.5	G 1/2	31	9	27	Steel, galvanized surface	60	0.13
267-001.36	ADAPTER ST M18x1,5Ax G3/8I CF	M18x1.5	G 3/8	32	10	22	Steel, galvanized surface	50	0.11
243-001.20	ADAPTER ST M18x1,5Ax G1/2I CF	M18x1.5	G 1/2	32	10	27	Steel, galvanized surface	59	0.13
44-1755-2029	ADAPTER ST M20x1,5Ax G1/4I CF	M20x1.5	G 1/4	28	12	24	Steel, galvanized surface	59	0.13
Brass									
267-001.47	ADAPTER MS G3/8Ax G3/4I	G 3/8 A	G 1/4	31	10	22	Brass	60	0.13
267-001.60	ADAPTER MS G3/8Ax G1/2I	G 3/8 A	G 1/2	34	10	27	Brass	78	0.17
401-019-132	ADAPTER MS G1/2Ax G1/8I	G 1/2 A	G 1/8	24	12	27	Brass	22	0.05
DZ333	ADAPTER MS G1/2Ax G1/4I	G 1/2 A	G 1/4	24	12	27	Brass	64	0.14
401-013-131	ADAPTER MS G1/2Ax G1/2I	G 1/2 A	G 1/2	40,5	12	27	Brass	107	0.24
DZ334	ADAPTER MS G1/2Ax G3/8I	G 1/2 A	G 3/8	31	12	27	Brass	83	0.18
267-001.03	ADAPTER MS G1/2Ax G3/4I	G 1/2 A	G 3/4	40	12	36	Brass	166	0.37
406-024	ADAPTER MS M10x1Ax G1/8I CF	M10x1	G 1/8	20	8	14	Brass	15	0.03
401-016-312	ADAPTER MS M10x1Ax G1/4I	M10x1	G 1/4	26,5	7,5	17	Brass	25	0.06
401-019-352	ADAPTER MS M14x1,5x1Ax G1/8I	M14x1.5	G 1/8	20	9	17	Brass	24	0.05

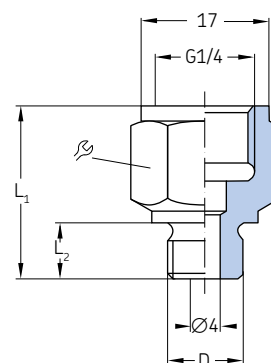
Adapter for pressure gauges for operating pressures up to 45 bar (sealed by flat washer acc. to DIN 7603)



Order number	Designation	Series	Tube ØD	D ₁	L ₁	L ₂	⌀	Material	Operating pressure max. Weight			
									mm	mm	mm	mm
248-610.01	ADAPTER	L	6	G 1/4	46	22	17	Brass	45	650	30	0.07

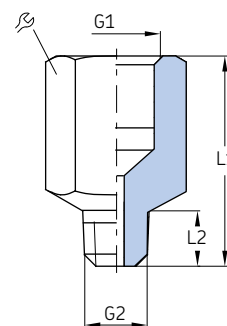
Adapter fittings

Adapter for pressure gauges with cylindrical thread for operating pressures up to 45 bar



Order number	Designation	D	L ₁	L ₂	⌀	Material	Weight	
							g	lb
301-134	CONNECTING PIECE ST - M10×1 ZN	M10×1	23	7,5	17	Steel, galvanized	20	0.044
301-034	CONNECTING PIECE ST - M14×1,5 ZN	M14×1,5	22	9	17	Steel, galvanized	20	0.044

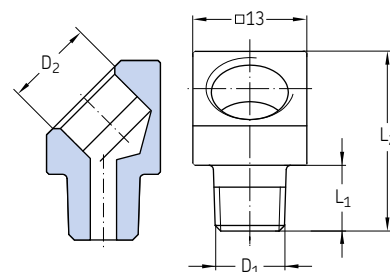
Reducing connectors with tapered thread for operating pressures up to 350 bar



Order number	Designation	G ₁	G ₂	L ₁	L ₂	⌀	Material	Weight	
								g	lb
304-19230-1	Adapter R1/8IxM10x1A CF	R 1/8	M10x1	18	6	13	Steel, galvanized surface	20	0.04
304-19787-1	Adapter M6x1IKxM8x1A C	M6x1 tap.	M8x1	20	6	10	Steel, galvanized surface	6	0.01
304-19437-1	Adapter M8x1IKxM8X1A C	M8x1 tap.	M8x1	16	6	10	Steel, galvanized surface	5	0.01
304-19548-1	Adapter M8x1,25IKxM8x1A C	M8x1.25 tap.	M8x1	16	6	10	Steel, galvanized surface	10	0.02
304-19167-1	Adapter M8x1IKxG1/8A C	M8x1 tap.	G 1/8	17	6	13	Steel, galvanized surface	10	0.02
304-19509-1	Adapter M10x1IKxM10x1A CF	M10x1 tap.	M10x1	18	4.5	13	Steel, galvanized surface	9	0.02
304-16337-1	Adapter M12x1IKxM10x1A Z	M12x1 tap.	M10x1	18	8	17	Steel, galvanized surface	15	0.03

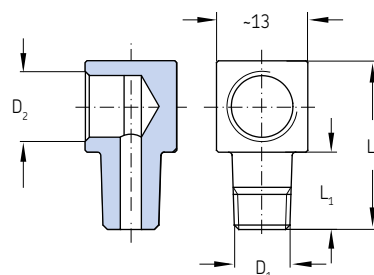
Adapter fittings

Elbow reducing connectors 45° with tapered thread for operating pressures up to 350 bar



Order number	Designation	D ₁	D ₂	L ₁	L ₂	Material	Weight	
							mm	mm
432-70673-1	ELBOW FITT.ST 45DEGREE R1/8xG1/8I CF	R 1/8	G 1/8	6	20	Steel, galvanized surface	10	0.02
406-155K	ELBOW FITT.ST 45DEGREE R1/8AxM10x1I CF	R 1/8	M10x1	7,5	20,5	Steel, galvanized surface	13	0.03
406-165K	ELBOW FITT.ST 45DEGREE R1/8AxG1/8I CF	R 1/8	G 1/8	7,5	20,5	Steel, galvanized surface	13	0.03
432-24050-1	ELBOW FITT.ST 45DEGREE M8x1AKxM8x1I CF	M8x1 tap.	M8x1	5	20	Steel, galvanized surface	11	0.02
432-71483-1	ELBOW FITT.ST 45DEGREE M8x1AKxM10x1I CF	M8x1 tap.	M10x1	5	20	Steel, galvanized surface	11	0.02
406-145K	ELBOW FITT.ST 45DEGREE M8x1AKxM10x1I CF	M8x1 tap.	M10x1	7,5	21	Steel, galvanized surface	11	0.02
406-045K	ELBOW FITT.ST 45DEGREE M10x1AKxM10x1I CF	M10x1 tap.	M10x1	7,5	21	Steel, galvanized surface	12	0.03
432-24051-1	ELBOW FITT.ST 45DEGREE M10x1AKxM8x1I CF	M10x1 tap.	M8x1	5	20	Steel, galvanized surface	12	0.03

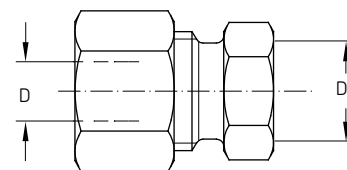
Elbow reducing connectors 90° with tapered thread for operating pressures up to 350 bar



Order number	Designation	D ₁	D ₂	L ₁	L ₂	Material	Weight	
							mm	mm
432-70674-1	ELBOW FITT.ST 90DEGREE G1/8AxR1/8I CF	R 1/8	G 1/8	9	22.5	Steel, galvanized surface	16	0.04
406-091K	ELBOW FITT.ST 90DEGREE R1/8AxG1/8I CF	R 1/8	G 1/8	11	24	Steel, galvanized surface	20	0.04
406-093K	ELBOW FITT.ST 90DEGREE R1/8AxM10x1I CF	R 1/8	M10x1	11	24	Steel, galvanized surface	16	0.04
406-094K	ELBOW FITT.ST 90DE.M8x1,25AxM8x1,25I CF	M8x1.25 tap.	M8x1.25	11	24	Steel, galvanized surface	11	0.02
406-089K	ELBOW FITT.ST 90DEGREE M8x1AKxM10x1I CF	M8x1 tap.	M10x1	11	24	Steel, galvanized surface	15	0.03
406-090K	ELBOW FITT.ST 90DEGREE M10x1AKxM10x1I CF	M10x1 tap.	M10x1	11	24	Steel, galvanized surface	16	0.04
406-092K	ELBOW FITT.ST 90DEGREE M10x1AKxM10x1I CF	M10x1 tap.	M10x1	17	30	Steel, galvanized surface	20	0.04
432-24043-1	ELBOW FITT.ST 90DEGREE M8x1KAxM8x1I CF	M8x1 tap.	M8x1	5	20	Steel, galvanized surface	12	0.03
432-24052-1	ELBOW FITT.ST 90DEGREE M10x1KAxM8x1I CF	M10x1 tap.	M8x1	5	20	Steel, galvanized surface	14	0.03

Adapter fittings

Reducing connectors RI with cylindrical thread for operating pressures up to 400 bar

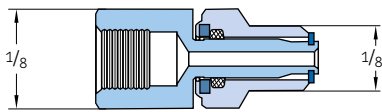


Order number	Designation	Tube ØD	ØD ₁	L ₁	L ₂	r	Material	Operating pressure max.		Weight	
								bar	psi	g	lb
Steel galvanized											
222-12578-5	BUSHING ST RI G 1/8XG 1/4 CF	G 1/8	G 1/4	31	8	19	Steel galvanized	400	5 800	42	0.09
222-12521-5	BUSHING ST RI G 1/4XG 1/8 CF	G 1/4	G 1/8	28	12	19	Steel galvanized	400	5 800	38	0.08
222-12521-6	BUSHING ST RI G 1/4XG 3/8 CF	G 1/4	G 3/8	36	12	24	Steel galvanized	400	5 800	69	0.15
222-12521-4	BUSHING ST RI G 1/4XG 1/2 CF	G 1/4	G 1/2	40	12	30	Steel galvanized	400	5 800	116	0.26
222-13678-2	BUSHING ST RI G 3/8XG 1/8 CF	G 3/8	G 1/8	22.5	12	22	Steel galvanized	400	5 800	39	0.09
222-12578-4	BUSHING ST RI G 3/8XG 1/4 CF	G 3/8	G 1/4	36	12	22	Steel galvanized	400	5 800	68	0.15
222-12578-8	BUSHING ST RI G 3/8XG 1/2 CF	G 3/8	G 1/2	41	12	30	Steel galvanized	400	5 800	125	0.28
222-12578-3	BUSHING ST RI G 3/8XG 3/4 CF	G 3/8	G 3/4	44	12	36	Steel galvanized	315	4 570	183	0.40
222-12521-2	BUSHING ST RI G 1/2XG 1/4 CF	G 1/2	G 1/4	24	14	27	Steel galvanized	315	4 570	56	0.12
96-3102-0058	BUSHING ST RI G 1/2XG 1/8 CF	G 1/2	G 1/8	24	14	27	Steel galvanized	400	5 800	66	0.15
222-12599-2	BUSHING ST RI G 1/2XG 3/8 CF	G 1/2	G 3/8	36	14	27	Steel galvanized	315	4 570	94	0.21
222-12047-2	BUSHING ST RI G 1/2XG 3/4 CF	G 1/2	G 3/4	46	14	36	Steel galvanized	315	4 570	182	0.40
222-12599-3	BUSHING ST RI G 1/2XG 1 CF	G 1/2	G 1	49	14	41	Steel galvanized	315	4 570	221	0.49
222-12578-2	BUSHING ST RI G 1/2XG 1 1/4 CF	G 1/2	G 1 1/4	53	14	55	Steel galvanized	160	2 320	482	1.06
222-13678-1	BUSHING ST RI G 3/4XG 1/4 CF	G 3/4	G 1/4	26	16	32	Steel galvanized	315	4 570	103	0.23
222-12578-9	BUSHING ST RI G 3/4XG 3/8 CF	G 3/4	G 3/8	26	16	32	Steel galvanized	315	4 570	87	0.19
222-12047-8	BUSHING ST RI G 3/4XG 1/2 CF	G 3/4	G 1/2	41	16	32	Steel galvanized	315	4 570	143	0.32
222-12047-4	BUSHING ST RI G 3/4XG 1 CF	G 3/4	G 1	51	16	41	Steel galvanized	315	4 570	235	0.52
96-3129-0058	BUSHING ST RI G 3/4XG 1 1/4 CF	G 3/4	G 1 1/4	55	16	55	Steel galvanized	160	2 320	481	1.06
222-12599-9	BUSHING ST RI G 1XG 1/2 CF	G 1	G 1/2	29	18	41	Steel galvanized	315	4 570	157	0.35
222-13678-4	BUSHING ST RI G 1XG 3/8 CF	G 1	G 3/8	29	18	41	Steel galvanized	315	4 570	179	0.39
96-3106-0058	BUSHING ST RI G 1XG 1/4 CF	G 1	G 1/4	29	18	41	Steel galvanized	315	4 570	195	0.43
222-12599-5	BUSHING ST RI G 1XG 3/4 CF	G 1	G 3/4	47	18	41	Steel galvanized	315	4 570	278	0.61
222-13670-1	BUSHING ST RI G 1XG 1 1/4 CF	G 1	G 1 1/4	57	18	55	Steel galvanized	160	2 320	530	1.17
96-3133-0058	BUSHING ST RI G 1XG 1 1/2 CF	G 1	G 1 1/2	59	18	60	Steel galvanized	160	2 320	585	1.29
222-13678-8	BUSHING ST RI G 1 1/4XG 1/2 CF	G 1 1/4	G 1/2	32	20	50	Steel galvanized	160	2 320	308	0.68
222-12521-8	BUSHING ST RI G 1 1/4XG 3/4 CF	G 1 1/4	G 3/4	32	20	50	Steel galvanized	160	2 320	267	0.59
222-12599-6	BUSHING ST RI G 1 1/4XG 1 CF	G 1 1/4	G 1	32	20	50	Steel galvanized	160	2 320	458	1.01
222-11053-1	BUSHING ST RI G 1 1/2XG 1/2 CF	G 1 1/2	G 1/2	36	22	55	Steel galvanized	160	2 320	477	1.05
96-3112-0058	BUSHING ST RI G 1 1/2XG 3/4 CF	G 1 1/2	G 3/4	36	22	55	Steel galvanized	160	2 320	402	0.89
222-13678-3	BUSHING ST RI G 1 1/2XG 1 CF	G 1 1/2	G 1	36	22	55	Steel galvanized	160	2 320	337	0.74
96-3136-0058	BUSHING ST RI G 1 1/2XG 1 1/4 CF	G 1 1/2	G 1 1/4	58	22	55	Steel galvanized	160	2 320	542	1.20
96-3137-0058	BUSHING ST RI G 2XG 1 1/2 CF	G 2	G 1 1/2	62	24	70	Steel galvanized	160	2 320	990	2.18
Stainless steel											
222-13618-1	BUSHING VA RI G 1/8XG 1/4	G 1/8	G 1/4	31	8	19	Stainless steel	400	5 800	42	0.09
222-10365-3	BUSHING VA RI G 1/4XG 1/8	G 1/4	G 1/8	28	12	19	Stainless steel	400	5 800	38	0.08
222-13618-5	BUSHING VA RI G 1/4XG 1/2	G 1/4	G 1/2	40	12	30	Stainless steel	400	5 800	116	0.26
222-14180-7	BUSHING VA RI G 3/8XG 1/4	G 3/8	G 1/4	36	12	22	Stainless steel	400	5 800	68	0.15
222-13618-2	BUSHING VA RI G 3/8XG 1/2	G 3/8	G 1/2	41	12	30	Stainless steel	400	5 800	125	0.28
222-14180-3	BUSHING VA RI G 1/2XG 1/4	G 1/2	G 1/4	24	14	27	Stainless steel	315	4 570	56	0.12
222-14180-6	BUSHING VA RI G 1/2XG 3/8	G 1/2	G 3/8	36	14	27	Stainless steel	315	4 570	94	0.21
222-14180-9	BUSHING VA RI G 3/4XG 3/8	G 3/4	G 3/8	26	16	32	Stainless steel	315	4 570	87	0.19
222-13618-3	BUSHING VA RI G 3/4XG 1/2	G 3/4	G 1/2	41	16	32	Stainless steel	315	4 570	143	0.32
222-14180-5	BUSHING VA RI G 1XG 3/4	G 1	G 3/4	47	18	41	Stainless steel	315	4 570	278	0.61

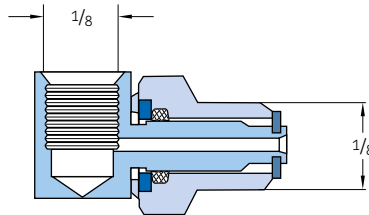
Adapter fittings

Banjo fittings, rotatable

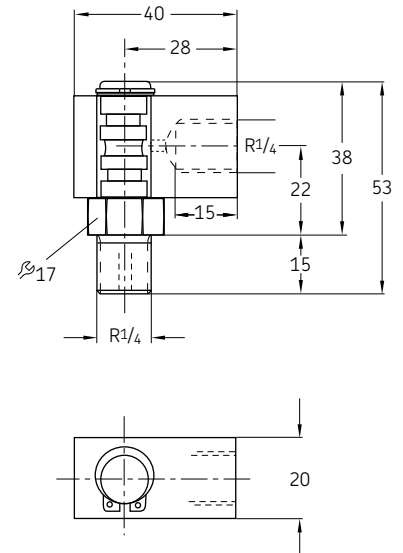
91308



223-12567-1

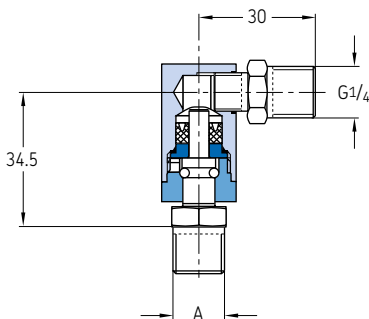


626-25702-1

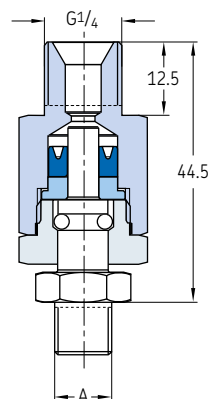


Order number	Designation	Tube Ø		Speed max.	Operation pressure max.		Material	Weight		
		Ø D ₁	Ø D ₂		bar	psi		g	lb	
		mm	in	min ⁻¹						
91308	Straight swivel 1/8 NPT	-	1/8 NPT	1/8 NPT	1	50	725	Steel galvanized	20	0.04
223-12567-1	Swivel 90° 1/8 NPT	-	1/8 NPT	1/8 NPT	1	50	725	Steel galvanized	40	0.08
626-25702-1	Swivel R1/4XR1/4 MS	-	R1/4 male	R1/4 female	1	200	2 900	Brass	102	0.22

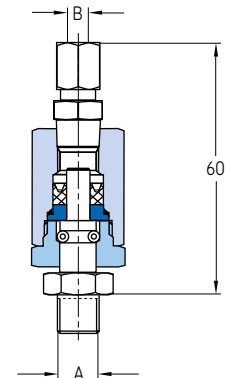
626-2...



626-25720-2



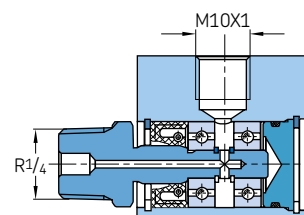
626-26696-2



Order number	Designation	Tube Ø		Speed max.	Operation pressure max.		Material	Weight		
		Ø D ₁	Ø D ₂		bar	psi		g	lb	
		mm	in	min ⁻¹						
626-25716-2	Swivel 90° G1/4AxG1/4A F	-	G1/4 male	G1/4 male	80	100	1 450	Steel galvanized	105	0.23
626-25540-2	Swivel 90° G1/4AxG1/8A F	-	G1/4 male	G1/8 male	80	100	1 450	Steel galvanized	105	0.23
626-26700-2	Swivel 90° G1/8AxD 4 F	4	-	G1/8 male	80	100	1 450	Steel galvanized	95	0.21
626-25438-2	Swivel 90° G1/8AxD 6 F	6	-	G1/8 male	80	100	1 450	Steel galvanized	100	0.22
626-26701-2	Swivel 90° G1/4AxD 4 F	4	-	G1/4 male	80	100	1 450	Steel galvanized	105	0.23
626-25717-2	Swivel 90° G1/4AxD 6 F	6	-	G1/4 male	80	100	1 450	Steel galvanized	102	0.22
626-26696-2	Swivel straight G1/8AXD 4 CF	4	-	G1/8	80	100	1 450	Steel galvanized	105	0.23

Adapter fittings

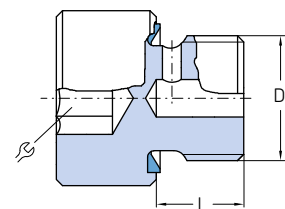
Banjo fittings, rotatable



Order number	Designation	Tube ØD mm	Thread ₁ mm	Thread ₂ mm	Speed max. min ⁻¹	Oil pressure max.		Air pressure max.		Material	Weight	
						bar	psi	bar	psi		g	lb
Brass												
DLY930-2	ROTATING JOINT MS 8 G1/4A	8	G 1/4 A	M14x1,5	1400	20	290	8	116	Brass	246	0.54
DLY931	ROTATING JOINT MS 8 R1/8K	8	R 1/8 tap.	M14x1,5	1400	20	290	8	116	Brass	244	0.54
Aluminum												
DLY932	ROTATING JOINT AL 8 R1/4	6	R1/4	M10x1	1400	5	72	-	-	Aluminum	65	0.14

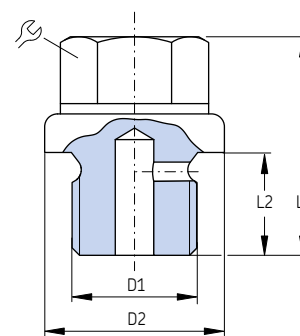
Plugs

Vent plugs with profile seal acc. to ISO 9974-2



Order number	Designation	D ₁	L	⌀	Material	Weight	
		mm	mm	mm		g	lb
466-431-006	PLUG ST M10x1 CF	M10x1	7	10	Steel, galvanized	10	0.02
466-431-005	PLUG ST M10x1 CF	M10x1	7	5	Steel, galvanized	10	0.02
466-431-009	PLUG ST G 1/8 CF	G 1/8	7	5	Steel, galvanized	11	0.02

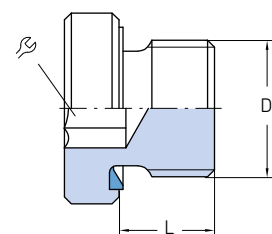
Vent plugs sealed by flat washer acc. to DIN 7603



Order number	Designation	D ₁	D ₂	L ₁	L ₂	⌀	Material	Operating pressure max.		Weight	
								bar	psi	g	lb
833-020-022	PLUG ST M8x1	M8x1	12	13,5	7,5	11	Steel, galvanized	45	650	7	0.015
833-330-016	PLUG ST M10x1	M10x1	14	17	8	11	Steel, galvanized	45	650	11	0.024
44-1855-6021	PLUG ST M12x1	M12x1	17	13,5	7,5	17	Steel, galvanized	45	650	12	0.026
833-330-021	PLUG ST G 1/8	G 1/8 A	14	17	8	11	Steel, galvanized	45	650	10	0.022
833-340-034	PLUG ST G 1/4	G 1/4 A	18	17	8	11	Steel, galvanized	45	650	22	0.049

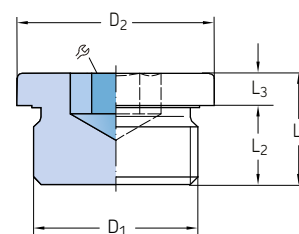
Plugs

Screw plugs VSTI



Order number	Designation	Tube ØD	D ₁	L	β	Material	Operating pressure max.		Weight	
							bar	psi	g	lb
Steel galvanized										
466-419-001	PLUG 6-SOCK ST VSTI G1/8 -ED	G 1/8	14	8	5	Steel, galvanized	400	5 800	8	0.02
223-13702-1	PLUG 6-SOCK ST VSTI G 1/4 -ED CF	G 1/4	19	12	6	Steel, galvanized	400	5 800	20	0.04
223-13702-7	PLUG 6-SOCK ST VSTI G 1/2 -ED CF	G 1/2	27	14	10	Steel, galvanized	400	5 800	51	0.11
223-13702-6	PLUG 6-SOCK ST VSTI G 3/4 -ED CF	G 3/4	32	16	12	Steel, galvanized	400	5 800	79	0.17
223-10530-4	PLUG 6-SOCK ST VSTI G1 -ED CF	G 1	39,9	16	17	Steel, galvanized	400	5 800	130	0.29
466-429-001	PLUG 6-SOCK ST VSTI M8x1 -ED	M8x1 mm	12	8	4	Steel, galvanized	400	5 800	7	0.02
466-431-001	PLUG 6-SOCK ST VSTI M10x1 -ED	M10x1 mm	14	8	5	Steel, galvanized	400	5 800	8	0.02
466-439-001	PLUG 6-SOCK ST VSTI M18x1,5 -ED CF	M18x1,5 mm	23,9	14	8	Steel, galvanized	400	5 800	32	0.07
Stainless steel										
223-13702-5	PLUG 6-SOCK VA VSTI G1/4 -ED	G 1/4	19	12	6	Stainless steel	400	5 800	20	0.04
223-13702-9	PLUG 6-SOCK VA VSTI G1/2 -ED	G 1/2	27	14	10	Stainless steel	400	5 800	51	0.11

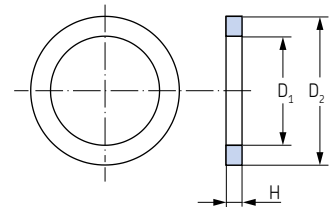
Screw plugs sealed by flat washer acc. to DIN 7603



Order number	Designation	D ₁	D ₂	L ₁	L ₂	L ₃	β	Material	Weight	
									g	lb
DIN910-R1-8-5.8	PLUG,CLOSURE-HEX. 5.8 G 1/8AZN	G 1/8 A	14	17	8	3	11	Steel, galvanized	11	0.02
DIN910-R1-4x8-5.8	PLUG,CLOSURE-HEX. 5.8 G 1/4AZN	G 1/4 A	18	17	8	3	14	Steel, galvanized	19	0.04
DIN910-R3-8-5.8	PLUG,CLOSURE-HEX. 5.8 G 3/8AZN	G 3/8 A	22	21	12	3	17	Steel, galvanized	38	0.08
DIN910-R1-2-5.8	PLUG,CLOSURE-HEX. 5.8 G 1/2AZN	G 1/2 A	26	26	14	4	19	Steel, galvanized	68	0.15
DIN910-R3-4-5.8	PLUG,CLOSURE-HEX. 5.8 G 3/4AZN	G 3/4 A	32	30	16	4	24	Steel, galvanized	125	0.28
DIN910-R1-5.8	PLUG,CLOSURE-HEX. 5.8 G1 AZN	G 1 A	39	32	16	5	27	Steel, galvanized	199	0.44
402-011	PLUG,CLOSURE-HEX. ST M 6x0,75A SW10	M6x0.75	-	9	5	-	10	Steel, galvanized	4	0.01
404-011	PLUG,CLOSURE-HEX. ST M 8x1,0A SW11	M8x1	-	9,5	5,5	-	11	Steel, galvanized	5	0.01
406-011	PLUG,CLOSURE-HEX. ST M10x1,0A SW12	M10x1	-	12	7	-	12	Steel, galvanized	8	0.02
408-211	PLUG,CLOSURE-HEX. ST M12x1,0A SW17	M12x1	-	12	7	-	17	Steel, galvanized	14	0.03
408-011	PLUG,CLOSURE-HEX. ST M14x1,5A SW17	M14x1.5	-	12	7	-	17	Steel, galvanized	17	0.04
410-011	PLUG,CLOSURE-HEX. ST M16x1,5A SW19	M16x1.5	-	14	8	-	19	Steel, galvanized	25	0.06
412-011	PLUG,CLOSURE-HEX. ST M18x1,5A SW22	M18x1.5	-	15	10	-	22	Steel, galvanized	33	0.07
DIN 908-M10x1-5.8	PLUG,CLOS6-SOCK 5.8 M10x1,5 ZN	M10x1	14	11	8	3	5 ¹⁾	Steel, galvanized	7	0.02
DIN 908-M12x1,5-5.8	PLUG,CLOS6-SOCK 5.8 M12x1,0 ZN	M12x1.5	17	15	12	3	6 ¹⁾	Steel, galvanized	12	0.03
DIN 908-M14x1,5-5.8	PLUG,CLOS6-SOCK 5.8 M14x1,5 ZN	M14x1.5	19	15	12	3	6 ¹⁾	Steel, galvanized	16	0.04
DIN 908-G1-8A-5.8	PLUG,CLOS6-SOCK 5.8 G 1/8AZN	G 1/8 A	14	11	8	3	5 ¹⁾	Steel, galvanized	5	0.01
DIN 908-G3-8A-5.8	PLUG,CLOS6-SOCK 5.8 G 3/8AZN	G 3/8 A	22	15	12	3	8 ¹⁾	Steel, galvanized	10	0.02

Washers

Flat washers



Order number	Designation		D ₁	D ₁	H	For thread	Material	Weight (100 pcs)		
			mm	mm	mm			mm	g	lb
Aluminum										
504-019-AL	SEALING RING AL	10,2x 13,9x 1,1	10,2	13,9	1,1	M10	G 1/8	Aluminum	100	0.22
Copper										
DIN7603-A6x10-CU	SEALING RING CU	6,2x 9,9x 1,0	6,2	9,9	1	M6	–	Copper	100	0.22
DIN7603-A8x11.5-CU	SEALING RING CU	8,2x 11,4x 1,0	8,2	11,4	1	M8	–	Copper	100	0.22
504-019	SEALING RING CU	10,2x 13,9x 1,1	10,2	13,9	1,1	M10	G 1/8	Copper	100	0.22
508-215-CU	SEALING RING CU	12,2x 15,9x 1,4	12,2	15,9	1,4	M12	–	Copper	100	0.22
508-320-CU	SEALING RING CU	12,2x 15,9x 2,0	12,2	15,9	2	M12	–	Copper	100	0.22
DIN7603-A12x18-CU	SEALING RING CU	12,2x 14,9x 1,0	12,2	14,9	1	M12	–	Copper	100	0.22
508-108	SEALING RING CU	13,3x 17,9x 1,5	13,3	17,9	1,5	–	G 1/4	Copper	100	0.22
DIN7603-A14x18-CU	SEALING RING CU	14,2x 17,9x 1,5	14,2	17,9	1,5	M14	–	Copper	200	0.44
DIN7603-A16x20-CU	SEALING RING CU	16,2x 19,9x 1,5	16,2	19,9	1,5	M16	–	Copper	200	0.44
DIN7603-A17x21-CU	SEALING RING CU	17,2x 20,9x 1,5	17,2	20,9	1,5	–	G 3/8	Copper	200	0.44
DIN7603-A18x22-CU	SEALING RING CU	18,2x 21,9x 1,5	18,2	21,9	1,5	M18	–	Copper	200	0.44
DIN7603-A20x24-CU	SEALING RING CU	20,2x 23,9x 1,5	20,2	23,9	1,5	M20	–	Copper	200	0.44
DIN7603-A21x26-CU	SEALING RING CU	21,2x 25,9x 1,5	21,2	25,9	1,5	–	G 1/2	Copper	200	0.44
DIN7603-A22x27-CU	SEALING RING CU	22,2x 26,9x 1,5	22,2	26,9	1,5	M22	–	Copper	300	0.66
DIN7603-A27x32-CU	SEALING RING CU	27,3x 31,9x 2,0	27,3	31,9	2	M27	–	Copper	400	0.88
DIN7603-A30x36-CU	SEALING RING CU	30,3x 35,9x 2,0	30,3	35,9	2	M30	–	Copper	500	1.10
DIN7603-A33x39-CU	SEALING RING CU	33,3x 38,9x 2,0	33,3	38,9	2	M33	–	Copper	500	1.10

Quick connectors



Description

SKF quick connectors are the faster alternative when it comes to connecting pipes. Push-in type connectors are available for fast establishment of secure connections. Simply plug the end of the line into the pre-installed connector – all done! No wrench is required. Connections can be made more easily and quickly, especially in difficult-to-access areas. Push-in type fittings can be used to connect the entire system of lines from the pump to the metering devices, pressure switches, etc. – all the way to the lubrication points. The fittings feature internal claws to hold the tubing tight, even at 350 bar (5076 psi). They are equally suitable for plastic and steel tubing. Two versions of quick connectors are offered by SKF:

- Single-seal quick connectors (350 bar, 5076 psi) suitable for grease lubrication systems
- Triple-seal quick connectors (300 bar, 4350 psi) suitable for oil and grease lubrication systems

Features and benefits

- Fast and virtually leakage-free connection
- No wrench tightening required
- Time savings due to easy and quick system assembly
- Connections in systems (without system pressure) can be easily opened and reclosed again
- Protection against penetrating dirt

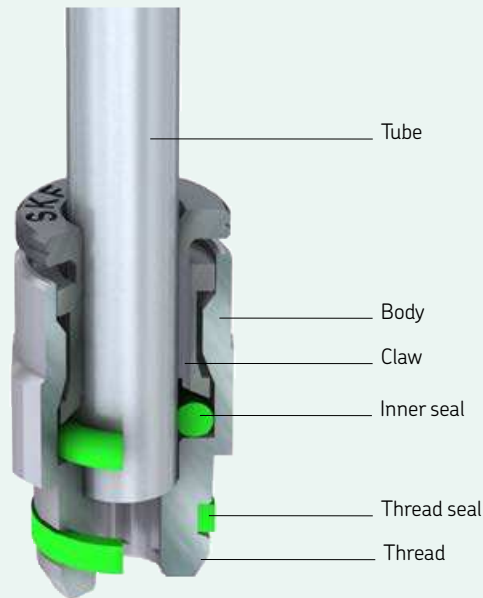


Applications

- Food and beverage industry
- Renewable energy industry
- Construction machinery
- Asphalt mixing plants
- Agricultural machines
- Material handling
- On-road vehicles
- Etc.

Quick connectors

Single-seal quick connectors (350 bar)



Description

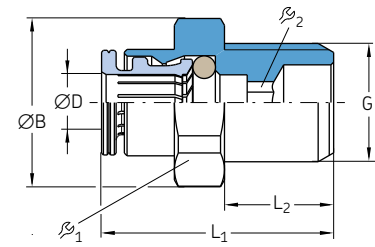
SKF single-seal quick connectors have one O-ring. They are suitable for grease lubrication systems with system pressures up to 350 bar.

Features and benefits

- Suitable for grease
- Smaller
- Protection caps needed under harsh conditions
- Max. operating pressure 350 bar
- For tube $\varnothing 6$ mm
- Marking of the collet: with groove
- Surface: nickel-plated C5M (sea water proof)
- Pipe sealing, expansion ring for collet chuck
- Plastic pipes can be used without claw groove
- Thread sealing via spring ring

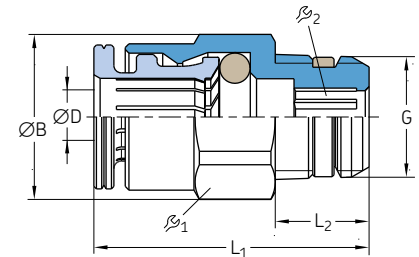
Single-seal quick connectors

Straight screw-in connectors



Order number	Designation	Tube		ØB	L ₁	L ₂	β ₁	β ₂	Seal	Material	Operating pressure max.		Weight (100 pcs)	
		ØD	G								bar	psi	g	lb
226-14139-1	PUSH-IN FITT.GEZM 6-1/4	6	G ¹ / ₄	18,5	12	25,5	17	4	NBR	Brass, nickel-plated	350	5 080	2 000	4.41

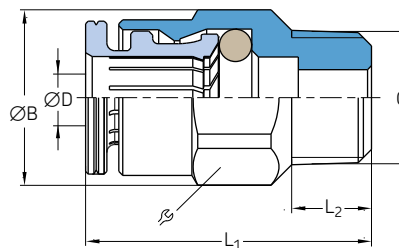
Straight screw-in connectors with PTFE threaded seal



Order number	Designation	Tube		ØB	L ₁	L ₂	β ₁	β ₂	Seal	Material	Operating pressure max.		Weight (100 pcs)	
		ØD	G								bar	psi	g	lb
226-14111-1	PUSH-IN FITT.GEKM S 6-1/8	6	R ¹ / ₈	13,2	7.5	22	12	4	NBR	Brass, nickel-plated	350	5 080	1 000	2.21
226-10205-5	PUSH-IN FITT.GEZM S 6-1/4	6	G ¹ / ₄	15,2	7	21,5	14	4	NBR	Brass, nickel-plated	350	5 080	1 400	3.09

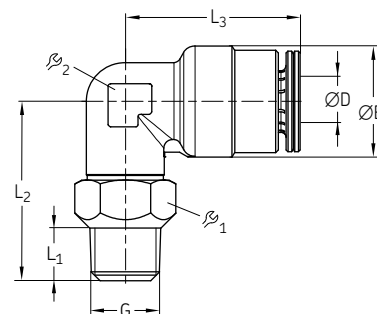
Single-seal quick connectors

Adapters with tapered thread



Order number	Designation	Tube		ØB	L ₁	L ₂	S	Seal	Material	Operating pressure max.		Weight (100 pcs)	
		ØD	G							bar	psi	g	lb
		mm	mm	mm	mm	mm	mm			bar	psi	g	lb
226-14111-4	PUSH-IN FITT. GEKM 6-M6×1	6	M6×1 tap.	13,2	24	6	12	NBR	Brass, nickel-plated	350	5 080	900	1.98
226-14111-2	PUSH-IN FITT. GEKM 6-M8×1	6	M8×1 tap.	13,2	23	6	12	NBR	Brass, nickel-plated	350	5 080	1 000	2.21
226-14111-3	PUSH-IN FITT. GEKM 6-M10×1	6	M10×1 tap.	13,2	21,5	6	12	NBR	Brass, nickel-plated	350	5 080	1 000	2.21
226-10622-8	PUSH-IN FITT. GEKM 6-1/8	6	R 1/8	13,2	22	7,5	12	NBR	Brass, nickel-plated	350	5 080	1 000	2.21

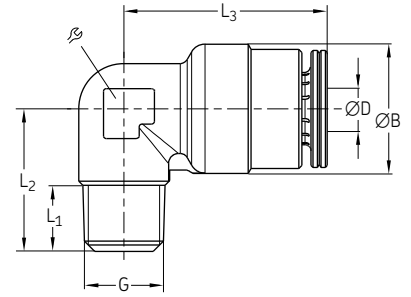
Banjo fittings with tapered thread



Order number	Designation	Tube		ØB	L ₁	L ₂	L ₃	S ₁	S ₂	Seal	Material	Operating pressure max.		Weight (100 pcs)	
		ØD	G									bar	psi	g	lb
		mm	mm	mm	mm	mm	mm	mm	mm			bar	psi	g	lb
226-14157-3	PUSH-IN FITT. WEDKM 6-M 6×1	6	M6×1 tap.	12,7	6	20,5	20	10	9	NBR	Brass, nickel-plated	350	5 080	1 600	3,53
226-14157-1	PUSH-IN FITT. WEDKM 6-M 8×1	6	M8×1 tap.	12,7	6	20,5	20	10	9	NBR	Brass, nickel-plated	350	5 080	1 600	3,53
226-14157-2	PUSH-IN FITT. WEDKM 6-M10×1	6	M10×1 tap.	12,7	6	20,5	20	12	9	NBR	Brass, nickel-plated	350	5 080	2 000	4,41
226-13756-9	PUSH-IN FITT. WEDKM 6-1/8	6	R 1/8	12,7	7,5	21	20	12	9	NBR	Brass, nickel-plated	350	5 080	1 900	4,19

Single-seal quick connectors

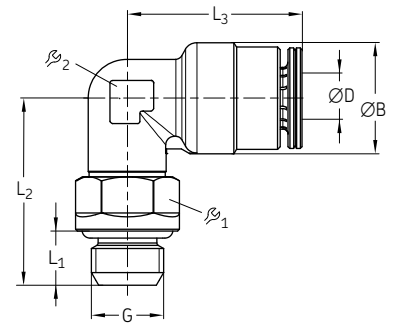
Elbows with tapered thread



Order number	Designation	Tube		ØB	L ₁	L ₂	L ₃	ϕ	Seal	Material	Operating pressure max.		Weight (100 pcs)	
		ØD	G								bar	psi	g	lb
		mm	mm	mm	mm	mm	mm	mm			bar	psi	g	lb
226-14123-4	PUSH-IN FITT. WEKM 6-M 6×1	6	M6×1 tap.	12,7	6	15	20	9	NBR	Brass, nickel-plated	350	5 080	1 400	3.09
226-14123-2	PUSH-IN FITT. WEKM 6-M 8×1	6	M8×1 tap.	12,7	6,5	14	20	9	NBR	Brass, nickel-plated	350	5 080	1 300	2.87
226-14123-3	PUSH-IN FITT. WEKM 6-M10×1	6	M10×1 tap.	12,7	6	14	20	9	NBR	Brass, nickel-plated	350	5 080	1 500	3.31
226-14123-5	PUSH-IN FITT. WEKM 6-1/8	6	R 1/8	12,7	7,5	15,5	20	9	NBR	Brass, nickel-plated	350	5 080	1 400	3.09
226-13753-9	¹⁾ PUSH-IN FITT. WEKM S 6-1/8	6	R 1/8	12,7	7,5	15,5	20	9	NBR	Brass, nickel-plated	350	5 080	1 400	3.09

¹⁾ with threaded seal

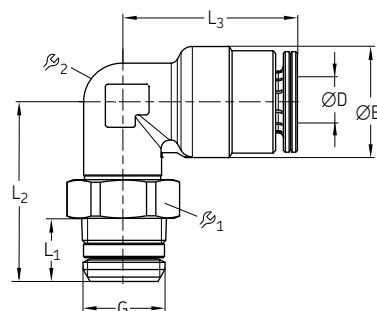
Banjo fittings with O-ring threaded seal



Order number	Designation	Tube		ØB	L ₁	L ₂	L ₃	ϕ ₁	ϕ ₂	Seal	Material	Operating pressure max.		Weight (100 pcs)	
		ØD	G									bar	psi	g	lb
		mm	mm	mm	mm	mm	mm	mm	mm			bar	psi	g	lb
226-11313-8	PUSH-IN FITT. WEDZM 6-1/4	6	G 1/4	12,7	7	23	20	15	9	NBR	Brass, nickel-plated	350	5 080	2 500	5.51
226-11313-9	PUSH-IN FITT. WEDZM 6-1/8	6	G 1/8	12,7	6	21	20	12	9	NBR	Brass, nickel-plated	350	5 080	2 300	5.07
226-11315-1	PUSH-IN FITT. WEDZM 6-M 6×1	6	M6×1	12,7	7	21	20	10	9	NBR	Brass, nickel-plated	350	5 080	2 300	5.07
226-11315-2	PUSH-IN FITT. WEDZM 6-M 8×1	6	M8×1	12,7	7	22	20	10	9	NBR	Brass, nickel-plated	350	5 080	2 400	5.29

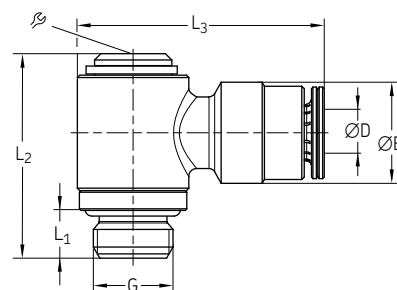
Single-seal quick connectors

Banjo fittings with PTFE threaded seal



Order number	Designation	Tube		ØB	L ₁	L ₂	L ₃	β ₁	β ₂	Seal	Material	Operating pressure max.		Weight (100 pcs)	
		ØD	G									bar	psi	g	lb
226-14157-4	PUSH-IN FITT. WEDKM S 6-1/4	6	R 1/4	12,7	11	24,5	20,1	14	9	NBR	Brass, nickel-plated	350	5 080	2 000	4.41
226-14157-5	PUSH-IN FITT. WEDKM S 6-1/8	6	R 1/8	12,7	7,5	21	20	12	9	NBR	Brass, nickel-plated	350	5 080	1 900	4.19

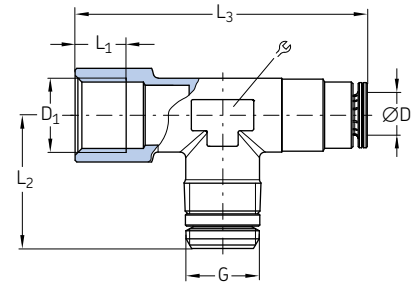
Banjo fittings with hexagon socket and O-ring threaded seal



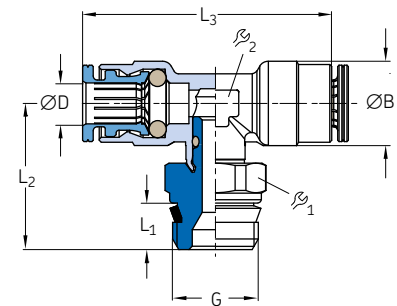
Order number	Designation	Tube		ØB	L ₁	L ₂	L ₃	β	Seal	Material	Operating pressure max.		Weight (100 pcs)	
		ØD	G								bar	psi	g	lb
226-10223-2	PUSH-IN FITT. WEDZM 6-1/8	6	G 1/8	12,7	6	25,7	24,1	5	NBR	Brass, nickel-plated	350	5 080	2 700	5.95
226-10223-4	PUSH-IN FITT. WEDZM 6-M 8×1	6	M 8×1	12,7	6	26	24	5	NBR	Brass, nickel-plated	350	5 080	2 500	5.51
226-10223-6	PUSH-IN FITT. WEDZM 6-M10×1	6	M10×1	12,7	6	25,7	24,1	5	NBR	Brass, nickel-plated	350	5 080	2 600	5.73

Single-seal quick connectors

Screw-in T-connectors



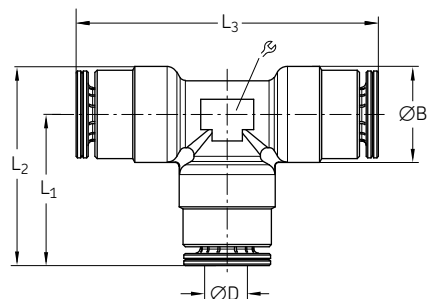
Order number	Designation	Tube		D ₁	L ₁	L ₂	L ₃	β	Seal	Material	Operating pressure max.		Weight	
		ØD	G								bar	psi	g	lb
226-14097-5	PUSH-IN FITT. TSM S 6-1/4	6	R 1/4	G 1/4	9	23,5	51,5	14	NBR	Brass, nickel-plated	350	5 080	50	0.11



Order number	Designation	Tube		ØB	L ₁	L ₂	L ₃	β ₁	β ₂	Seal	Material	Operating pressure max.		Weight	
		ØD	G									bar	psi	g	lb
226-10159-1	PUSH-IN FITT. TEDZM S 6-1/8	6	G 1/8	12,7	5,5	20,3	40,2	9	9	NBR	Brass, nickel-plated	350	5 080	27	0.06
226-10159-9	PUSH-IN FITT. TEDZM S 6-1/4	6	G 1/4	12,7	7	22	40	14	9	NBR	Brass, nickel-plated	350	5 080	35	0.08

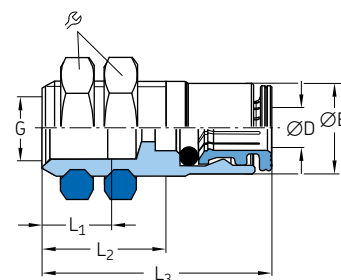
Single-seal quick connectors

T-connectors



Order number	Designation	Tube		L ₁	L ₂	L ₃	⌀	Seal	Material	Operating pressure max.		Weight	
		ØD	ØB							bar	psi	g	lb
226-14097-4	PUSH-IN FITT. TSM 6	6	12,7	20	26	40	6	NBR	Brass, nickel-plated	350	5 080	20	0,04

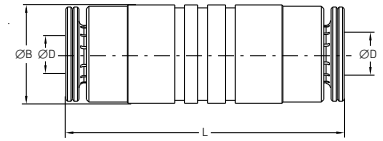
Straight bulkhead connectors



Order number	Designation	Tube		ØB	L ₁	L ₂	L ₃	⌀	Seal	Material	Operating pressure max.		Weight	
		ØD	G								bar	psi	g	lb
226-10214-4	PUSH-IN FITT. SVM 6-G1/8	6	G1/8	12,5	9	17	31,6	17	NBR	Brass, nickel-plated	350	5 080	26	0,06
226-10214-7	PUSH-IN FITT. SVM 6-M8x1	6	M8x1	12,5	9	17	31,5	17	NBR	Brass, nickel-plated	350	5 080	27	0,06

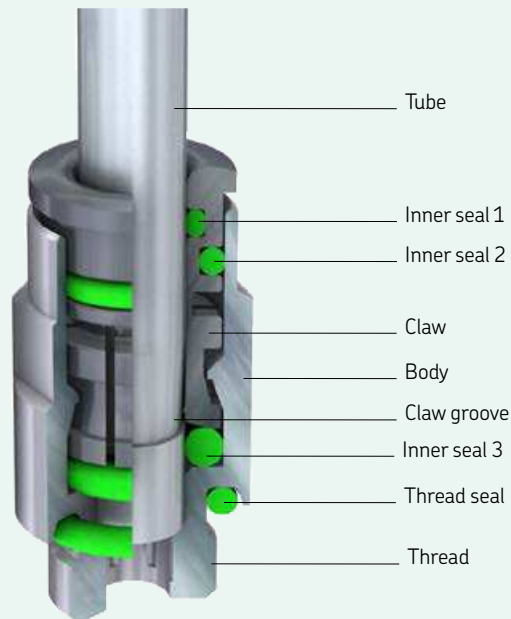
Single-seal quick connectors

Tube-to-tube connector

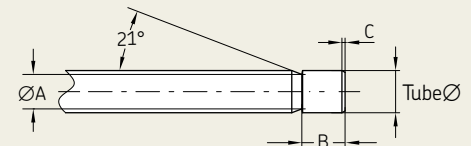


Order number	Designation	Tube			Seal	Material	Operating pressure max.		Weight	
		ØD	ØB	L			bar	psi	g	lb
		mm	mm	mm						
226-13773-4	CONNECTOR GSM 6	6	12	34	NBR	Brass, nickel-plated	350	5 080	18	0.04

Triple-seal quick connectors



Claw grooves



Description

SKF triple-seal quick connectors have three O-rings. They are suitable for oil lubrication systems with system pressures up to 300 bar. For a good union, steel pipes or fittings used as hose end fittings must be prepared with a claw groove. Plastic pipes can be connected directly without an additional claw groove.

For metal pipes, a claw groove is required at the end of the pipe

Tube \varnothing	A +0,3	B $\pm 0,2$	C
4	3,1	5	0,3 ... 0,7
6	4,9	6,2	0,4 ... 0,9
8	6,9	6,2	0,5 ... 0,9

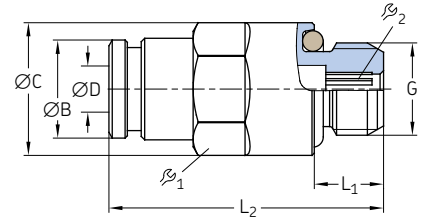
Tool for the production of pipe ends (cutting and groove-forming) available in the chapter on tools.

Features and benefits

- Suitable for oil and fluid grease
- Better sealing by three O-rings (leakage-free)
- Max. operating pressure 300 bar
- For tube $\varnothing 4, 6$ and 8 mm
- Marking of the collet: plain
- Surface: collet nickel-plated C4
- Insertion depth for plastic and steel tubing
 - $\varnothing 4$ mm: 19 mm
 - $\varnothing 6$ mm: 22 mm
 - $\varnothing 8$ mm: 24 mm
- Reduction of bending forces
- Sealing for the pipe, expansion ring for collet chuck
- Sealing thread O-ring

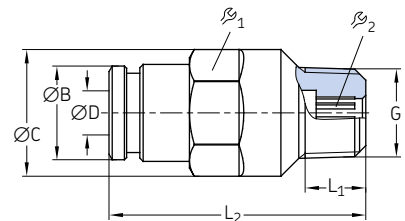
Triple-seal quick connectors

Straight screw-in connectors with cylindrical thread



Order number	Designation	Tube		ØB	ØC	L ₁	L ₂	r ₁	r ₂	Seal	Material	Operating pressure max.		Weight (100 pcs)	
		ØD	G									bar	psi	g	lb
451-004-260-VS	PUSH-IN FITT.GEZ 4-M6 NBR	4	M6	8,8	11,5	4,5	25	10	2,5	NBR	Brass	300	4 350	1 000	2.21
404-073-VS	PUSH-IN FITT.GEZ 4-M6x0,75 NBR	4	M6x0,75	8,8	11,5	4,5	25,3	10	2,5	NBR	Brass	300	4 350	1 000	2.21
404-063-VS	PUSH-IN FITT.GEZ 4-M8 NBR	4	M8	8,8	11,5	6	23,8	10	2,5	NBR	Brass	300	4 350	900	1.98
404-003-VS	PUSH-IN FITT.GEZ 4-M8x1 NBR	4	M8x1	8,8	11,5	6	23,8	10	2,5	NBR	Brass	300	4 350	900	1.98
404-003-S8-VS	PUSH-IN FITT.GEZ 4-M8x1 FPM	4	M8x1	8,8	11,5	6	23,8	10	2,5	FPM	Brass	300	4 350	1 000	2.21
404-006-VS	PUSH-IN FITT.GEZ 4-M10x1 NBR	4	M10x1	8,8	13,5	6	23,8	12	2,5	NBR	Brass	300	4 350	1 400	3.09
404-006-S8-VS	PUSH-IN FITT.GEZ 4-M10x1 FPM	4	M10x1	8,8	13,5	6	23,8	12	2,5	FPM	Brass	300	4 350	1 400	3.09
404-040-VS	PUSH-IN FITT.GEZ 4-G1/8 NBR	4	G 1/8	8,8	13,5	6	23,8	12	2,5	NBR	Brass	300	4 350	1 400	3.09
406-158-VS	PUSH-IN FITT. GEZ 6-M8x1 NBR	6	M8x1	11,7	13,2	6	30,5	12	3	NBR	Brass	300	4 350	1 500	3.31
406-004-VS	PUSH-IN FITT. GEZ 6-M10x1 NBR	6	M10x1	11,7	13,5	6	27	12	4	NBR	Brass	300	4 350	1 500	3.31
406-004-S8-VS	PUSH-IN FITT. GEZ 6-M10x1 FPM	6	M10x1	11,7	13,5	6	27	12	4	FPM	Brass	300	4 350	1 400	3.09
456-004-VS	PUSH-IN FITT. GEZ 6-G1/8 NBR	6	G 1/8	11,7	13,5	6	27	12	4	NBR	Brass	300	4 350	1 400	3.09
456-004-S8-VS	PUSH-IN FITT. GEZ 6-G1/8 FPM	6	G 1/8	11,7	13,5	6	27	12	4	FPM	Brass	300	4 350	1 400	3.09
406-054-VS	PUSH-IN FITT. GEZ 6-G1/4 NBR	6	G 1/4	11,7	16,4	7	28	12	4	NBR	Brass	300	4 350	1 900	4.19
406-162-VS	PUSH-IN FITT. GEZ 6-M12x1 NBR	6	M12x1	11,7	15,4	7	28	14	4	NBR	Brass	300	4 350	2 200	4.85
406-162-S8-VS	PUSH-IN FITT. GEZ 6-M12x1 FPM	6	M12x1	11,7	15,4	7	28	14	4	FPM	Brass	300	4 350	2 400	5.29
408-004-VS	PUSH-IN FITT. GEZ 8-M10x1 NBR	8	M10x1	13,9	15,2	6	32,3	14	5	NBR	Brass	300	4 350	2 000	4.41
408-004-S8-VS	PUSH-IN FITT. GEZ 8-M10x1 FPM	8	M10x1	13,9	15,2	6	32,3	14	5	FPM	Brass	300	4 350	2 000	4.41
408-162-VS	PUSH-IN FITT. GEZ 8-M12x1 NBR	8	M12x1	13,9	15,2	7	32,8	14	6	NBR	Brass	300	4 350	2 300	5.07
408-162-S8-VS	PUSH-IN FITT. GEZ 8-M12x1 FPM	8	M12x1	13,9	15,2	7	32,8	14	6	FPM	Brass	300	4 350	2 000	4.41
408-054-VS	PUSH-IN FITT. GEZ 8-G1/4 NBR	8	G 1/4	13,9	16,4	7	30,8	15	6	NBR	Brass	300	4 350	3 000	6.62

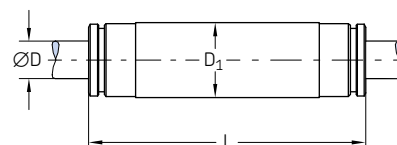
Straight screw-in connectors with tapered thread



Order number	Designation	Tube		ØB	ØC	L ₁	L ₂	r ₁	r ₂	Seal	Material	Operating pressure max.		Weight (100 pcs)	
		ØD	G									bar	psi	g	lb
451-004-462-VS	PUSH-IN FITT. GEK 4-M6K NBR	4	M6 tap.	8,8	11,5	5,5	25,8	10	2,5	NBR	Brass	300	4 350	900	1.98
451-004-471-VS	PUSH-IN FITT. GEK 4-M6x0,75K NBR	4	M6x0,75 tap.	8,8	11,5	5,5	25,8	10	2,5	NBR	Brass	300	4 350	900	1.98
451-004-498-VS	PUSH-IN FITT. GEK 4-M8x1K NBR	4	M8x1 tap.	8,8	11,5	5,5	23,3	10	2,5	NBR	Brass	300	4 350	900	1.98
451-004-518-VS	PUSH-IN FITT. GEK 4-M10x1K NBR	4	M10x1 tap.	8,8	11,5	5,5	22,8	10	2,5	NBR	Brass	300	4 350	1 100	2.43
404-673K-V1-VS	PUSH-IN FITT. GEK 4-1/4-28 SAE LT NBR	4	1/4-28 SAE LT	8,8	11,5	5,1	26,3	10	2,5	NBR	Brass	300	4 350	1 000	2.21
404-040K-V1-VS	PUSH-IN FITT. GEK 4-1/8 NPTF NBR	4	1/8 NPTF	8,8	11,5	8	24,8	10	2,5	NBR	Brass	300	4 350	1 200	2.65
451-006-468-VS	PUSH-IN FITT. GEK 6-M6K NBR	6	M6 tap.	11,7	13,5	5,5	30	12	2,5	NBR	Brass	300	4 350	1 400	3.09
451-006-498-VS	PUSH-IN FITT. GEK 6-M8x1K NBR	6	M8x1 tap.	11,7	13,5	5,5	29,5	12	4	NBR	Brass	300	4 350	1 400	3.09
451-006-518-VS	PUSH-IN FITT. GEK 6-M10x1K NBR	6	M10x1 tap.	11,7	13,5	5,5	27	12	4	NBR	Brass	300	4 350	1 500	3.31
406-423W-VS	PUSH-IN FITT. GEK 6-R1/8 NBR	6	R 1/8	11,7	13,5	6,5	28,5	12	4	NBR	Brass	300	4 350	1 500	3.31
406-423N-VS	PUSH-IN FITT. GEK 6-1/8 NPT NBR	6	1/8 NPT	11,7	13,5	7,5	28,5	12	4	NBR	Brass	300	4 350	1 600	3.53

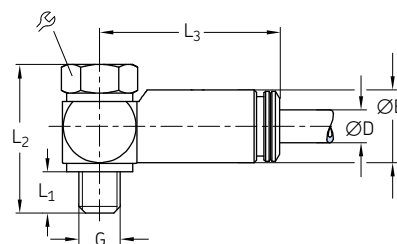
Triple-seal quick connectors

Tube-to-tube connectors



Order number	Designation	Tube	D ₁	L	Material	Operating pressure max.		Weight (100 pcs)	
		ØD				bar	psi	g	lb
		mm	mm	mm					
454-504-041-VS	CONNECTOR GS 4 NBR	4	10	38,5	Brass	300	4 350	1 500	3.31
406-426-VS	CONNECTOR GS 6 NBR	6	12	44,5	Brass	300	4 350	2 000	4.41

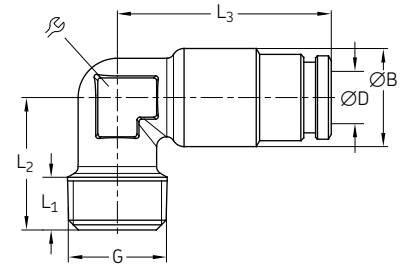
Banjo fittings with banjo bolt and cylindrical thread



Order number	Designation	Tube	G	ØB	L ₁	L ₂	L ₃	⌀	Seal	Material	Operating pressure max.		Weight (100 pcs)	
		ØD									bar	psi	g	lb
		mm	mm	mm	mm	mm	mm	mm						
504-161-VS	BANJO FITTING SWVZ-4-M6 NBR	4	M6	8,8	5	19,5	22,3	9	NBR	Brass	300	4350	1300	2.87
504-401-S1-VS	BANJO FITTING SWVZ-4-M5 NBR	4	M5	8,8	5	18	21,8	8	NBR	Brass	300	4 350	1 100	2.43
504-411-VS	BANJO FITTING SWVZ-4-M8 NBR	4	M8	8,8	7	20	23,8	12	NBR	Brass	300	4 350	1 700	3.75
504-401-VS	BANJO FITTING SWVZ-4-M8x1 NBR	4	M8x1	8,8	7	20	23,8	12	NBR	Brass	300	4 350	1 800	3.97
504-103-VS	BANJO FITTING SWVZ-4-M101 NBR	4	M10x1	8,8	7	22,5	24,8	14	NBR	Brass	300	4 350	2 400	5.29
445-519-041-VS	BANJO FITTING SWVZ-4-G1/8 NBR	4	G 1/8	8,8	7	22,5	24,8	14	NBR	Brass	300	4 350	2 400	5.29

Triple-seal quick connectors

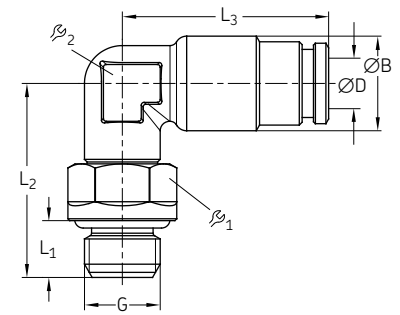
Elbows with tapered thread



Order number	Designation	Tube		D ₁	L ₁	L ₂	L ₃	⌀	Seal	Material	Operating pressure max.		Weight (100 pcs)	
		ØD	G								bar	psi	g	lb
		mm	mm	mm	mm	mm	mm	mm						
453-004-471-VS	PUSH-IN FITT.WEK 4-M6K NBR	4	M6 tap.	10	6	14	21,8	9	NBR	Brass	300	4 350	1100	2.43
453-004-471-S8-VS	PUSH-IN FITT.WEK 4-M6K FPM	4	M6 tap.	10	6	14	21,8	9	FPM	Brass	300	4 350	1200	2.65
504-201-VS	PUSH-IN FITT.WEK 4-M8x1K NBR	4	M8x1 tap.	10	6	13,5	21,8	9	NBR	Brass	300	4 350	1100	2.43
504-201-S8-VS	PUSH-IN FITT.WEK 4-M8x1K FPM	4	M8x1 tap.	10	6	13,5	21,8	9	FPM	Brass	300	4 350	1200	2.65
504-202-VS	PUSH-IN FITT.WEK 4-M10x1K NBR	4	M10x1 tap.	10	6	13,5	21,8	9	NBR	Brass	300	4 350	1100	2.43
504-202-S8-VS	PUSH-IN FITT.WEK 4-M10x1K FPM	4	M10x1 tap.	10	6	13,5	21,8	9	FPM	Brass	300	4 350	1300	2.87
514-018-VS	PUSH-IN FITT.WEK 4-R1/8 NBR	4	R 1/8	10	7,5	15	21,8	9	NBR	Brass	300	4 350	1200	2.65
514-018-S8-VS	PUSH-IN FITT.WEK 4-R1/8 FPM	4	R 1/8	10	7,5	15	21,8	9	FPM	Brass	300	4 350	1300	2.87
504-200K-V1-VS	PUSH-IN FITT.WEK 4-1/4-28SAE LT NBR	4	1/4-28SAE LT	10	5,1	15,5	21,8	9	NBR	Brass	300	4 350	1200	2.65
514-018K-V1-VS	PUSH-IN FITT.WEK 4-1/8NPT NBR	4	1/8 NPT	10	7	15	21,8	9	NBR	Brass	300	4 350	1300	2.87
453-006-468-VS	PUSH-IN FITT.WEK 6-M6K NBR	6	M6 tap.	12,5	6	15	26	10	NBR	Brass	300	4 350	2 000	4.41
453-006-468-S8-VS	PUSH-IN FITT.WEK 6-M6K FPM	6	M6 tap.	12,5	6	15	26	10	FPM	Brass	300	4 350	1800	3.97
506-508-VS	PUSH-IN FITT.WEK 6-M8x1K NBR	6	M8x1 tap.	12,5	6,5	14	26	10	NBR	Brass	300	4 350	1600	3.53
506-508-S8-VS	PUSH-IN FITT.WEK 6-M8x1K FPM	6	M8x1 tap.	12,5	6,5	14	26	10	FPM	Brass	300	4 350	1800	3.97
506-510-VS	PUSH-IN FITT.WEK 6-M10x1K NBR	6	M10x1 tap.	12,5	6	14	26	10	NBR	Brass	300	4 350	1600	3.53
506-510-S8-VS	PUSH-IN FITT.WEK 6-M10x1K FPM	6	M10x1 tap.	12,5	6	14	26	10	FPM	Brass	300	4 350	1700	3.75
506-512-VS	PUSH-IN FITT.WEK 6-R1/8 NBR	6	M12x1 tap.	12,5	7	15	26	10	NBR	Brass	300	4 350	1800	3.97
506-511-VS	PUSH-IN FITT.WEK 6-R1/8 FPM	6	R 1/8	12,5	8,5	16,5	26	10	NBR	Brass	300	4 350	1700	3.75
506-511-S8-VS	PUSH-IN FITT.WEK 6-1/8NPT NBR	6	R 1/8	12,5	8,5	16,5	26	10	FPM	Brass	300	4 350	1800	3.97
506-511K-V1-VS	PUSH-IN FITT.WEK 6-M12x1K NBR	6	1/8 NPT	12,5	8,5	16,5	26	10	NBR	Brass	300	4 350	1900	4.19
455-565-068-VS	PUSH-IN FITT.WEK 6-R1/4 NBR	6	R 1/4	12,5	11,5	19,5	26	10	NBR	Brass	300	4 350	1900	4.19

Triple-seal quick connectors

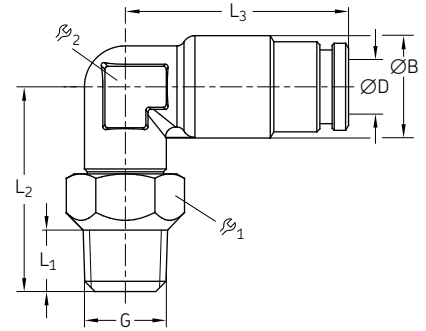
Banjo fittings with cylindrical thread



Order number	Designation	Tube		ØB	L ₁	L ₂	L ₃	Ø ₁	Ø ₂	Seal	Material	Operating pressure max.		Weight (100 pcs)	
		ØD	G									bar	psi	g	lb
504-100-VS	PUSH-IN FITT. WEDZ 4-M6x1 NBR	4	M6x1	10	4,5	17,5	21,8	9	9	NBR	Brass	300	4 350	1 200	2.65
504-101-VS	PUSH-IN FITT. WEDZ 4-M8x1 NBR	4	M8x1	10	6	20,5	21,8	10	9	NBR	Brass	300	4 350	1 500	3.31
504-101-S8-VS	PUSH-IN FITT. WEDZ 4-M8x1 FPM	4	M8x1	10	6	20,5	21,8	10	9	FPM	Brass	300	4 350	1 500	3.31
504-102-VS	PUSH-IN FITT. WEDZ 4-M10x1 NBR	4	M10x1	10	6	20,5	21,8	12	9	NBR	Brass	300	4 350	2 000	4.41
504-102-S8-VS	PUSH-IN FITT. WEDZ 4-M10x1 FPM	4	M10x1	10	6	20,5	21,8	12	9	FPM	Brass	300	4 350	2 000	4.41
504-108-VS	PUSH-IN FITT. WEDZ 4-G1/8 NBR	4	G 1/8	10	6	20,5	21,8	12	9	NBR	Brass	300	4 350	1 800	3.97
504-108-S8-VS	PUSH-IN FITT. WEDZ 4-G1/8 FPM	4	G 1/8	10	6	20,5	21,8	12	9	FPM	Brass	300	4 350	1 900	4.19
506-139-VS	PUSH-IN FITT. WEDZ 6-M8x1 NBR	6	M8x1	12,5	6	21	26	10	10	NBR	Brass	300	4 350	1 900	4.19
506-139-S8-VS	PUSH-IN FITT. WEDZ 6-M8x1 FPM	6	M8x1	12,5	6	21	26	10	10	FPM	Brass	300	4 350	2 000	4.41
506-140-VS	PUSH-IN FITT. WEDZ 6-M10x1 NBR	6	M10x1	12,5	6	21	26	12	10	NBR	Brass	300	4 350	2 200	4.85
506-140-S8-VS	PUSH-IN FITT. WEDZ 6-M10x1 FPM	6	M10x1	12,5	6	21	26	12	10	FPM	Brass	300	4 350	2 200	4.85
506-108-VS	PUSH-IN FITT. WEDZ 6-G1/8 NBR	6	G 1/8	12,5	6	21	26	12	10	NBR	Brass	300	4 350	2 200	4.85
506-108-S8-VS	PUSH-IN FITT. WEDZ 6-G1/8 FPM	6	G 1/8	12,5	6	21	26	12	10	FPM	Brass	300	4 350	2 300	5.07
506-142-VS	PUSH-IN FITT. WEDZ 6-M12x1 NBR	6	M12x1	12,5	7	23	26	14	10	NBR	Brass	300	4 350	2 700	5.95
506-142-S8-VS	PUSH-IN FITT. WEDZ 6-M12x1 FPM	6	M12x1	12,5	7	23	26	14	10	FPM	Brass	300	4 350	2 700	5.95
506-143-VS	PUSH-IN FITT. WEDZ 6-G1/4 FPM	6	G 1/4	12,5	7	23	26	15	10	NBR	Brass	300	4 350	2 900	6.39
508-142-VS	PUSH-IN FITT. WEDZ 8-M12x1 NBR	8	M12x1	14,5	7	23	28,8	14	12	NBR	Brass	300	4 350	3 200	7.06
508-142-S8-VS	PUSH-IN FITT. WEDZ 8-M12x1 FPM	8	M12x1	14,5	7	23	28,8	14	12	FPM	Brass	300	4 350	3 200	7.06

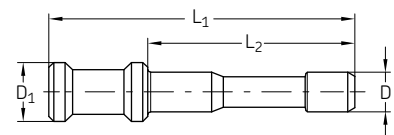
Triple-seal quick connectors

Banjo fittings with tapered thread



Order number	Designation	Tube		ØB	L ₁	L ₂	L ₃	ϕ ₁	ϕ ₂	Seal	Material	Operating pressure max.		Weight (100 pcs)	
		ØD	G									bar	psi	g	lb
		mm	mm	mm	mm	mm	mm	mm	mm			bar	psi	g	lb
455-546-048-VS	PUSH-IN FITT. WEDK 4-M6K NBR	4	M6 tap.	10	6	20	21,8	10	9	NBR	Brass	300	4 350	1 400	3.09
455-546-048-S8-VS	PUSH-IN FITT. WEDK 4-M6K FPM	4	M6 tap.	10	6	20	21,8	10	9	FPM	Brass	300	4 350	1 500	3.31
455-529-048-VS	PUSH-IN FITT. WEDK 4-M8x1K NBR	4	M8x1 tap.	10	6	20	21,8	10	9	NBR	Brass	300	4 350	1 600	3.53
455-529-048-S8-VS	PUSH-IN FITT. WEDK 4-M8x1K FPM	4	M8x1 tap.	10	6	20	21,8	10	9	FPM	Brass	300	4 350	1 600	3.53
455-531-048-VS	PUSH-IN FITT. WEDK 4-M10x1K NBR	4	M10x1 tap.	10	6	20	21,8	12	9	NBR	Brass	300	4 350	1 800	3.97
455-531-048-S8-VS	PUSH-IN FITT. WEDK 4-M10x1K FPM	4	M10x1 tap.	10	6	20	21,8	12	9	FPM	Brass	300	4 350	1 800	3.97
455-569-048-VS	PUSH-IN FITT. WEDK 4-R1/8 NBR	4	R 1/8	10	7,5	20,5	21,8	12	9	NBR	Brass	300	4 350	2 000	4.41
455-529-068-VS	PUSH-IN FITT. WEDK 6-M8x1K NBR	6	M8x1 tap.	12,5	6	20,5	26	10	10	NBR	Brass	300	4 350	2 000	4.41
455-529-068-S8-VS	PUSH-IN FITT. WEDK 6-M8x1K FPM	6	M8x1 tap.	12,5	6	20,5	26	10	10	FPM	Brass	300	4 350	2 000	4.41
455-531-068-VS	PUSH-IN FITT. WEDK 6-M10x1K NBR	6	M10x1 tap.	12,5	6	20,5	26	12	10	NBR	Brass	300	4 350	2 300	5.07
455-531-068-S8-VS	PUSH-IN FITT. WEDK 6-M10x1K FPM	6	M10x1 tap.	12,5	6	20,5	26	12	10	FPM	Brass	300	4 350	2 300	5.07
455-546-068-VS	PUSH-IN FITT. WEDK 6-M6x1K NBR	6	M6x1 tap.	12,5	6	20,5	26	10	10	NBR	Brass	300	4 350	2 000	4.41
455-565-068-VS	PUSH-IN FITT. WEDK 6-R1/4 FPM	6	R 1/4	12,5	11	24,5	26	14	10	NBR	Brass	300	4 350	2 900	6.39

Locking pin



Order number	Designation	Tube		L ₁	L ₂	Material	Operating pressure max.		Weight (100 pcs)	
		Ø	D ₁				bar	psi	g	lb
		mm	mm	mm	mm		bar	psi	g	lb
450-204-002	CLOSURE PLUG D4 MS FOR PUSH-IN FITT.	4	6	31	21	Brass	300	4 350	300	0.66
450-206-002	CLOSURE PLUG D6 MS FOR PUSH-IN FITT.	6	8	37	25	Brass	300	4 350	800	1.76

Manifolds



Description

Manifolds are designed for the installation of one or several metering devices, restrictors or lubrication point lines and enable direct main line connection. They are often used with the 341, 351 and 361 series single-line metering devices or VD screw-in flow restrictors. Manifolds are available for various main-line connections, such as M8×1, M10×1 and M14×1.5 threads. The number of outlet ports varies from 1 to 10 (on request up to 20) with threads of M8×1 and M10×1. The seal is made via an O-ring or sealing washer (copper).

Features and benefits

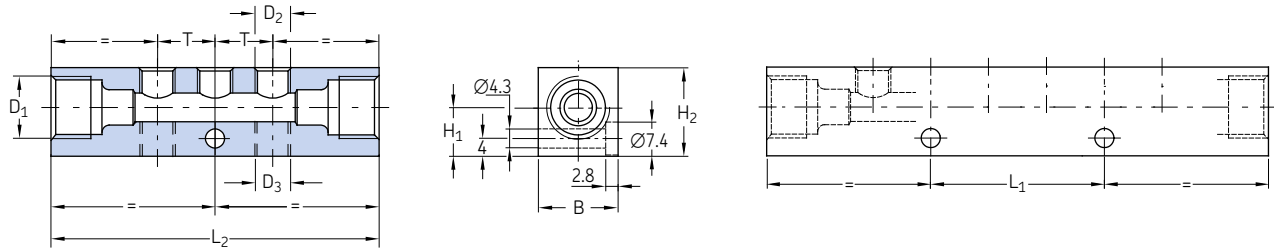
- Wide selection of connection options and variants
- Available in aluminum; galvanized steel available on request
- Easy and quick system extension/reduction

Applications

- Automotive Industry
- General industry
- Machine tools
- Etc.

Manifolds

Metering device manifolds



Order number	Designation	Main tube port tube Ø	D ₁	D ₂ above	D ₃ below	L ₁	L ₂	H ₁	H ₂	B	T	Material	Weight	
													mm	mm
VL-01EAM3	MET.DEV.BAR,AL M10x1 1x M10x1	6	M10x1	1x M10x1	-	-	41	11	20	18	-	Aluminum alloy	40	0.09
VL-02EAM3	MET.DEV.BAR,AL M10x1 2x M10x1	6	M10x1	2x M10x1	-	-	58	11	20	18	17	Aluminum alloy	50	0.11
VL-03EAM3	MET.DEV.BAR,AL M10x1 3x M10x1	6	M10x1	3x M10x1	-	-	75	11	20	18	17	Aluminum alloy	60	0.13
VL-04EAM3	MET.DEV.BAR,AL M10x1, 4x M10x1	6	M10x1	4x M10x1	-	34	92	11	20	18	17	Aluminum alloy	78	0.17
VL-05EAM3	MET.DEV.BAR,AL M10x1 5x M10x1	6	M10x1	5x M10x1	-	51	109	11	20	18	17	Aluminum alloy	90	0.20
VL-06EAM3	MET.DEV.BAR,AL M10x1 6x M10x1	6	M10x1	6x M10x1	-	68	126	11	20	18	17	Aluminum alloy	100	0.22
VL-08EAM3	MET.DEV.BAR,AL M10x1 8x M10x1	6	M10x1	8x M10x1	-	52	160	11	20	18	17	Aluminum alloy	135	0.30
VL-10EAM3	MET.DEV.BAR,AL M10x1 10x M10x1	6	M10x1	10x M10x1	-	136	194	11	20	18	17	Aluminum alloy	162	0.36
322-861	MET.DEV.BAR,AL M10x1 2x1x M10x1	6	M10x1	1x M10x1 1x M10x1	M10x1	-	41	11	20	18	-	Aluminum alloy	30	0.07
324-861	MET.DEV.BAR,AL M10x1 2x2x M10x1	6	M10x1	2x M10x1 2x M10x1	M10x1	-	58	11	20	18	18	Aluminum alloy	50	0.11
326-663	MET.DEV.BAR,AL M10x1 2x3x M10x1	6	M10x1	3x M10x1 3x M10x1	M10x1	52	77	11	17	18	18	Aluminum alloy	60	0.13
328-861	MET.DEV.BAR,AL M10x1 2x4x M10x1	6	M10x1	4x M10x1 4x M10x1	M10x1	34	92	11	20	18	18	Aluminum alloy	70	0.15
330-861	MET.DEV.BAR,AL M10x1 2x5x M10x1	6	M10x1	5x M10x1 5x M10x1	M10x1	51	109	11	20	18	18	Aluminum alloy	80	0.18
332-861	MET.DEV.BAR,AL M10x1 2x6x M10x1	6	M10x1	6x M10x1 6x M10x1	M10x1	68	126	11	20	18	18	Aluminum alloy	96	0.21
334-861	MET.DEV.BAR,AL M10x1 2x7x M10x1	6	M10x1	7x M10x1 7x M10x1	M10x1	85	143	11	20	18	18	Aluminum alloy	108	0.24
336-861	MET.DEV.BAR,AL M10x1 2x8x M10x1	6	M10x1	8x M10x1 8x M10x1	M10x1	102	160	11	20	18	18	Aluminum alloy	128	0.28
338-861	MET.DEV.BAR,AL M10x1 2x9x M10x1	6	M10x1	9x M10x1 9x M10x1	M10x1	119	177	11	20	18	18	Aluminum alloy	137	0.30
340-861	MET.DEV.BAR,AL M10x1 2x10x M10x1	6	M10x1	10x M10x1 10x M10x1	M10x1	136	194	11	20	18	18	Aluminum alloy	140	0.31
VL-01DAM3	MET.DEV.BAR,AL M10x1 1x M8x1	6	M10x1	1x M8x1	-	-	39	10,5	17	13	-	Aluminum alloy	20	0.04
VL-02DAM3	MET.DEV.BAR,AL M10x1 2x M8x1	6	M10x1	2x M8x1	-	-	52	10,5	17	13	13	Aluminum alloy	30	0.07
VL-03DAM3	MET.DEV.BAR,AL M10x1 3x M8x1	6	M10x1	3x M8x1	-	-	65	10,5	17	13	13	Aluminum alloy	30	0.07
VL-04DAM3	MET.DEV.BAR,AL M10x1 4x M8x1	6	M10x1	4x M8x1	-	-	78	10,5	17	13	13	Aluminum alloy	38	0.08
VL-05DAM3	MET.DEV.BAR,AL M10x1 5x M8x1	6	M10x1	5x M8x1	-	-	91	10,5	17	13	13	Aluminum alloy	40	0.09
VL-06DAM3	MET.DEV.BAR,AL M10x1 6x M8x1	6	M10x1	6x M8x1	-	52	104	11	20	18	13	Aluminum alloy	50	0.11
VL-08DAM3	MET.DEV.BAR,AL M10x1 8x M8x1	6	M10x1	8x M8x1	-	52	130	10,5	17	13	13	Aluminum alloy	65	0.14
VL-10DAM3	MET.DEV.BAR,AL M10x1 10x M8x1	6	M10x1	10x M8x1	-	78	156	10,5	17	13	13	Aluminum alloy	80	0.18
321-581	MET.DEV.BAR,AL M14x1,5 1x M8x1	8	M14x1,5	1x M8x1	-	-	48	-	20	18	-	Aluminum alloy	40	0.09
322-581	MET.DEV.BAR,AL M14x1,5 2x M8x1	8	M14x1,5	2x M8x1	-	-	61	11	20	18	13	Aluminum alloy	47	0.10
323-581	MET.DEV.BAR,AL M14x1,5 3x M8x1	8	M14x1,5	3x M8x1	-	-	74	11	20	18	13	Aluminum alloy	50	0.11
324-581	MET.DEV.BAR,AL M14x1,5 4x M8x1	8	M14x1,5	4x M8x1	-	-	87	11	20	18	13	Aluminum alloy	55	0.12
325-581	MET.DEV.BAR,AL M14x1,5 5x M8x1	8	M14x1,5	5x M8x1	-	-	74	11	20	18	13	Aluminum alloy	70	0.15
326-581	MET.DEV.BAR,AL M14x1,5 6x M8x1	8	M14x1,5	6x M8x1	-	39	113	11	20	18	13	Aluminum alloy	90	0.20
328-581	MET.DEV.BAR,AL M14x1,5 8x M8x1	8	M14x1,5	8x M8x1	-	65	139	11	20	18	13	Aluminum alloy	110	0.24
330-581	MET.DEV.BAR,AL M14x1,5 10x M8x1	8	M14x1,5	10x M8x1	-	91	165	11	20	18	13	Aluminum alloy	135	0.30

Tubes and hoses



Description

Pipe and hose lines are an important connecting element in all lubrication systems. The lubricant is transported by them from the pump via the metering device to the lubrication points.

The following chapter lists the suitable pipe and hose material for all SKF lubrication systems.

This criteria must be considered when selecting:

- Pipe dimension (inside diameter and wall thickness): Selection according to the occurring pressures and pressure drops
- Material or surface protection of the steel pipes

Material for steel pipes: precision hydraulic pipe seamless to EN 10305-4 in galvanized Cr-6-free or stainless steel material 1.4571 for aggressive conditions (sea water, cleaning agents, paper machines).

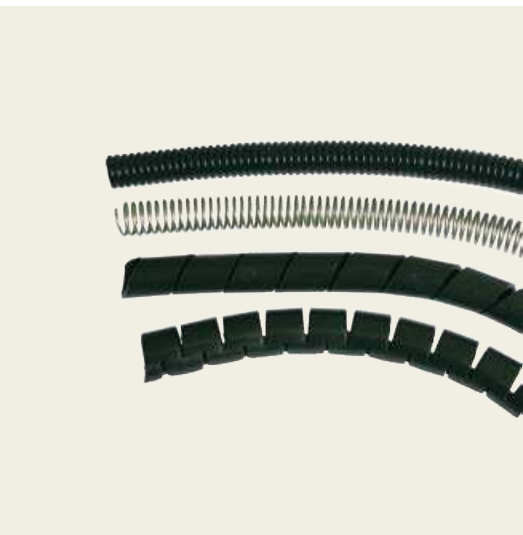
Material for plastic pipes Polyamide: PA12H (natural, semi-rigid), PA12HL (black, semi-rigid), PA12PH (natural, flexible), PA12PHL (black, flexible).

Features and benefits

- Reliable and long-term lubricant transfer solutions for low-, medium- and high-pressure lubrication systems
- Quick installation as pipes/hoses are pre-filled with lubricant
- Wide range of available versions

Applications

- Paper and packaging industry
- Food and beverage industry
- Construction machines
- Agriculture machines
- Oil and gas industry
- Renewable energy
- Material handling
- On-road trucks
- Etc.



Fixing material

SKF offers a wide range of tube-fixing material, such as fixing clips, pipe brackets, cable straps, mounting bases and fixing bolts, which are suitable for tubes typically used in lubrication systems. For more details, please see the chapter on fixing material.

Tools

SKF has a variety of tools that help assemble tubes and hoses in all kinds of systems, such as:

- Tube bending device (for the bending of metal tubes)
- Pipe cutter (for cutting metal tubes and producing a claw groove for quick connection fittings)

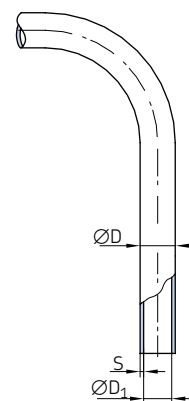
For more information, please see the chapter on tools.

Tube protections

SKF offers a range of solutions for tube protection including coils, protective helixes or corrugated hoses. For more details, please see page 105.

Tubes and hoses

Plastic tubing



Order number	Designation	Tube outside ØD	Wall thickness S	Min. bending radius ¹⁾ R	Operating pressure max. at 20°C/68°F		Material	Weight (100 m)	
					bar	psi		kg	lb
Plastic tubing semirigid (without plasticizer)									
WVN715-R02.5X0.5	TUBE,PA12H 2,5x 0,5 NATUR	2,5	0,5	25	66	957	PA12H	0,33	0.73
WVN715-R04X0.85	TUBE,PA12H 4,0x 0,85 NATUR	4	0,85	38	72	1 044	PA12H	0,88	1.94
WVN715R04X0.85+A89	TUBE,PA12HL 4,0x 0,85 BLACK	4	0,85	38	72	1 044	PA12HL	0,88	1.94
112-35127-7	TUBE, PA12HL 4,0x 1,0 BLACK	4	1	30	80	1 160	PA12HL	0,9	1.98
112-35127-5	TUBE,PA12HL 4,0x 1,0 NATUR	4	1	30	80	1 160	PA12HL	0,9	1.98
WVN715-R06X1	TUBE,PA12H 6,0x 1,0 NATUR	6	1	63	53	768	PA12H	1,61	3.55
WVN715-R06X1.25	TUBE,PA12H 6,0x 1,25 NATUR	6	1,25	63	70	1 015	PA12H	1,92	4.23
WVN715R06X1.25+A89	TUBE,PA12HL 6,0x 1,25 BLACK	6	1,25	63	70	1 015	PA12HL	2,16	4.76
112-35127-2	TUBE,PA12HL 6,0x 1,5 BLACK	6	1,5	40	89	1 290	PA12HL	2,29	5.05
WVN715-R08x1.25	TUBE,PA12H 8,0x 1,25 NATUR	8	1,25	76	49	710	PA12H	2,73	6.02
Plastic tubing flexible (containing plasticizer)									
WVN716-R04X0.85	TUBE,PA12PH 4,0x 0,85 NATUR	4	0,85	38	36	522	PA12PH	0,53	1.17
WVN716R04X0.85+A89	TUBE,PA12PHL 4,0x 0,85 BLACK	4	0,85	38	36	522	PA12PHL	0,53	1.17
112-35225-4	TUBE,PA12PHL 4,0x 1,0 BLACK	4	1	27	40	580	PA12PHL	0,63	1.39
WVN716-R06X1.25	TUBE,PA12PH 6,0x 1,25 NATUR	6	1,25	63	35	507	PA12PH	2	4.41
WVN716R06X1.25+A89	TUBE,PA12PHL 6,0x 1,25 BLACK	6	1,25	63	35	507	PA12PHL	2	4.41
WVN716-R08X1.25	TUBE,PA12PH 8,0x 1,25 NATUR	8	1,25	80	25	362	PA12PH	2,8	6.17

¹⁾ without bending device

²⁾ the permissible burst pressure is lower at higher temperatures (→ pressure utilization factor table).

Pressure utilization factor

Temperature up to °C	Pressure efficiency %
23	100
30	83
40	72
50	64
60	57
70	52
80	47

The pressure utilization factor indicates the percentage utilization of effective stress available in the specified temperature ranges, based on 23 °C.

Technical Data

Material

PA 12 H
polyamide 12, semirigid, unplasticized as per DIN 73378, stabilized against heat and aging.

PA 12 PH
polyamide 12, flexible, containing plasticizer as per DIN 73378, stabilized against heat and aging.

Temperature range

-60 to +80 °C

PA 12 HL (black tubing)

polyamide 12, semirigid, unplasticized as per DIN 73378, stabilized against light, heat and aging.

PA 12 PHL (black tubing)

polyamide 12, flexible, containing plasticizer as per DIN 73378, stabilized against light, heat, and aging.

-60 to +80 °C

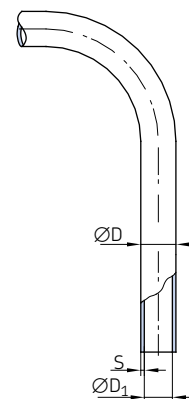
Tube protections



Order number	Designation	Ø	Material	Weight	
				g	lb
		mm			
Corrugated tube					
982-760-120	TUBE,CORRUGATED PA6 NW8	BLACK 8,4	Polyamide 6, black colour	20	0.04
982-760-130	TUBE,CORRUGATED PA6 NW10	BLACK 10	Polyamide 6, black colour	26	0.06
982-760-160	TUBE,CORRUGATED PA6 NW12	BLACK 12,3	Polyamide 6, black colour	34	0.07
Spring coil					
982-760-122	SPRING COIL DI6,1xD1,2 1.4310	6,1	Stainless steel	64	0.14
982-760-132	SPRING COIL DI10,6xD1,2 1.4310	10,6	Stainless steel	64	0.14
982-760-142	SPRING COIL DI13,5xD1,5 1.4310	12,5	Stainless steel	64	0.14
111-35306-5	SPRING COIL DI17XD1.8 1.4310	17	Stainless steel	290	0.64
Plastic helix					
113-35075-2	PLASTIC HELIX GR. 6 BLACK	5-20	Polyethylene, black colour	13	0.03
113-35075-3	PLASTIC HELIX GR.12 BLACK	9-30	Polyethylene, black colour	48	0.11
Spiral hose					
982-760-102	SPIRAL HOSE PP NW8 SLOTTED	6-9	Polypropylene	25	0.06
982-760-172	SPIRAL HOSE PP NW15 SLOTTED	10-16	Polypropylene	100	0.22

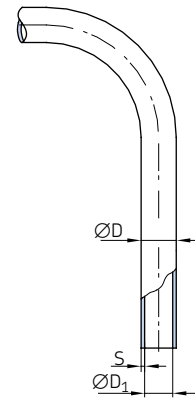
Tubes and hoses

Steel tubing



Order number	Designation	ØD	D ₁	Material	Operating pressure max.		Weight	
					bar	psi	kg/m	lb/m
		mm	mm					
982-120-041	TUBE, E235+N NBK D 4,0x 0,7 C	4	2,6	Steel tubing, galvanized surface (Cr-6 free)	368	5 340	0,063	0.14
982-120-040	TUBE, E235+N NBK D 4,0x 1,0 C	4	2	Steel tubing, galvanized surface (Cr-6 free)	500	7 250	0,074	0.16
982-120-061	TUBE, E235+N NBK D 6,0x 0,7 C	6	4,6	Steel tubing, galvanized surface (Cr-6 free)	333	4 830	0,12	0.26
105-35251-1	TUBE, ST37.4 NBK D 6,0x 1,0 C	6	4	Steel tubing, galvanized surface (Cr-6 free)	372	5 390	0,123	0.27
105-35251-3	TUBE, ST37.4 NBK D 8,0x 1,0 CF	8	6	Steel tubing, galvanized surface (Cr-6 free)	333	4 830	0,173	0.38
982-120-100	TUBE, E235+N NBK D 10,0x 1,0 C	10	8	Steel tubing, galvanized surface (Cr-6 free)	282	4 090	0,222	0.49
105-35025-5	TUBE, ST37.4 NBK D 10,0x 1,5 CF	10	7	Steel tubing, galvanized surface (Cr-6 free)	373	5 410	0,314	0.69
105-35134-3	TUBE, ST37.4 NBK D 12,0x 1,5 C	12	9	Steel tubing, galvanized surface (Cr-6 free)	353	5 120	0,388	0.86
105-35134-9	TUBE, ST37.4 NBK D 15,0x 1,5 C	15	12	Steel tubing, galvanized surface (Cr-6 free)	282	4 090	0,499	1.1
105-35183-3	TUBE, ST37.4 NBK D 16,0x 2,0 C	16	12	Steel tubing, galvanized surface (Cr-6 free)	353	5 120	0,691	1.52
982-120-180	TUBE, E235+N NBK D 18,0x 1,0 C	18	15	Steel tubing, galvanized surface (Cr-6 free)	157	2 280	0,61	1.35
105-35134-1	TUBE, ST37.4 NBK D 20,0x 2,0 C	20	16	Steel tubing, galvanized surface (Cr-6 free)	282	4 090	0,888	1.96
105-35308-1	TUBE, ST37.4 NBK D 28,0x 2,0 CF	28	24	Steel tubing, galvanized surface (Cr-6 free)	201	2 910	1,282	2.83
105-35134-4	TUBE, ST37.4 NBK D 30,0x 3,0 C	30	24	Steel tubing, galvanized surface (Cr-6 free)	282	4 090	1,998	4.41

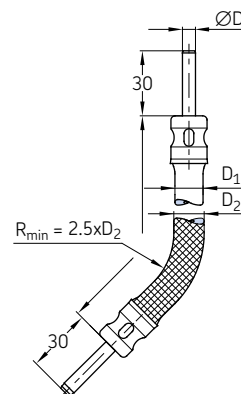
Stainless steel tubing



Order number	Designation	ØD	D ₁	Material	Operating pressure max.		Weight	
					bar	psi	kg/m	lb/m
		mm	mm					
D1127R02.5x0.5+A46	TUBE,NIRO 1.4301 D 2,5x0,5	2,5	1,5	Stainless steel (material 1.4301/1.4306)	386	5 600	0,042	0.09
DIN2462-R04x1+A46	TUBE,NIRO 1.4301 D 4,0x1,0	4	2	Stainless steel (material 1.4301/1.4306)	466	6 760	0,075	0.17
106-35203-4	TUBE,NIRO 1.4571 D 6,0x1,0	6	4	Stainless steel 1.4571	426	6 180	0,125	0.28
106-35203-3	TUBE,NIRO 1.4571 D 8,0x1,0	8	6	Stainless steel 1.4571	368	5 340	0,169	0.37
DIN2462-R010x1+A46	TUBE,NIRO 1.4301 D 10,0x1,0	10	8	Stainless steel (material 1.4301/1.4306)	231	3 350	0,225	0.5
106-35203-2	TUBE,NIRO 1.4571 D 10,0x1,5	10	7	Stainless steel 1.4571	389	5 640	0,319	0.7
106-35203-1	TUBE,NIRO 1.4571 D 20,0x2,0	20	16	Stainless steel 1.4571	294	4 260	0,901	1.99
106-35292-2	TUBE,NIRO 1.4571 D 22,0x2,0	22	18	Stainless steel 1.4571	267	3 870	1,002	2.21
106-35292-1	TUBE,NIRO 1.4571 D 28,0x2,0	28	24	Stainless steel 1.4571	210	3 050	1,302	2.87
106-35203-7	TUBE,NIRO 1.4571 D 30,0x3,0	30	24	Stainless steel 1.4571	294	4 260	2,028	4.47
106-35231-1	TUBE,NIRO 1.4301 D 6,0x1,0	6	4	Stainless steel 1.4301	400	5 800	0,123	0.27
106-35231-2	TUBE,NIRO 1.4301 D 8,0x1,0	8	6	Stainless steel 1.4301	310	4 500	0,17	0.37
106-35231-3	TUBE,NIRO 1.4301 D 10,0x1,5	10	7	Stainless steel 1.4301	365	5 290	0,315	0.69
106-35231-6	TUBE,NIRO 1.4301 D 20,0x2,0	20	16	Stainless steel 1.4301	253	3 670	0,888	1.96
106-35267-4	TUBE,NIRO 1.4301 D 22,0x2,0	22	18	Stainless steel 1.4301	232	3 360	0,986	2.17

Tubes and hoses

Low-pressure hoses for main lines max. 45 bar

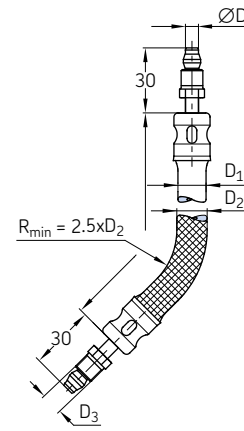


Order number	Designation ¹⁾	Tube ØD	Length	Rubber ØD ₁	Metal braided D ₂	Max. increase in volume at 80 bar	Weight	
		mm	mm	mm	mm	cm ³ /m	g	lb
Low-pressure hoses with tube stud Ø4 mm								
714-180	HOSE,CR 45 DN 3x 180,STU 4	4	180	11	–	2,5	39	0.09
714-220	HOSE,CR 45 DN 3x 220,STU 4	4	220	11	–	2,5	43	0.09
714-260	HOSE,CR 45 DN 3x 260,STU 4	4	260	11	–	2,5	48	0.11
714-300	HOSE,CR 45 DN 3x 300,STU 4	4	300	11	–	2,5	57	0.13
714-380	HOSE,CR 45 DN 3x 380,STU 4	4	380	11	–	2,5	61	0.13
714-420	HOSE,CR 45 DN 3x 420,STU 4	4	420	11	–	2,5	70	0.15
714-450	HOSE,CR 45 DN 3x 450,STU 4	4	450	11	–	2,5	74	0.16
714-500	HOSE,CR 45 DN 3x 500,STU 4	4	500	11	–	2,5	84	0.19
714-580	HOSE,CR 45 DN 3x 580,STU 4	4	580	11	–	2,5	92	0.20
Low-pressure hoses with tube stud Ø4 mm and metal braid								
714-180-M	HOSE,CR 45 DN 3x 180,STU 4 MET.BRAID.	4	180	11	12	2,5	56	0.12
714-260-M	HOSE,CR 45 DN 3x 260,STU 4 MET.BRAID.	4	260	11	12	2,5	69	0.15
714-300-M	HOSE,CR 45 DN 3x 300,STU 4 MET.BRAID.	4	300	11	12	2,5	75	0.17
714-400-M	HOSE,CR 45 DN 3x 400,STU 4 MET.BRAID.	4	400	11	12	2,5	97	0.21
714-500-M	HOSE,CR 45 DN 3x 500,STU 4 MET.BRAID.	4	500	11	12	2,5	119	0.26
714-580-M	HOSE,CR 45 DN 3x 580,STU 4 MET.BRAID.	4	580	11	12	2,5	167	0.37
Low-pressure hoses with tube stud Ø6 mm								
716-220	HOSE,CR 45 DN 4,5x 220,STU 6	6	220	13	–	3,6	64	0.14
716-300	HOSE,CR 45 DN 4,5x 300,STU 6	6	300	13	–	3,6	72	0.16
716-340	HOSE,CR 45 DN 4,5x 340,STU 6	6	340	13	–	3,6	79	0.17
716-380	HOSE,CR 45 DN 4,5x 380,STU 6	6	380	13	–	3,6	86	0.19
716-420	HOSE,CR 45 DN 4,5x 420,STU 6	6	420	13	–	3,6	90	0.20
716-500	HOSE,CR 45 DN 4,5x 500,STU 6	6	500	13	–	3,6	101	0.22
716-580	HOSE,CR 45 DN 4,5x 580,STU 6	6	580	13	–	3,6	128	0.28
Low-pressure hoses with tube stud Ø6 mm and metal braid								
716-300-M	HOSE,CR 45 DN 4,5x 300,STU6 MET.BRAID.	6	300	13	14	3,6	108	0.24
716-400-M	HOSE,CR 45 DN 4,5x 400,STU6 MET.BRAID.	6	400	13	14	3,6	140	0.31
716-460-M	HOSE,CR 45 DN 4,5x 500,STU6 MET.BRAID.	6	450	13	14	3,6	155	0.34
716-500-M	HOSE,CR 45 DN 4,5x 580,STU6 MET.BRAID.	6	500	13	14	3,6	165	0.36
Low-pressure hoses with tube stud Ø8 mm								
718-340	HOSE,CR 45 DN 6,5x 340,STU 8	8	340	15	–	4,4	117	0.26
718-450	HOSE,CR 45 DN 6,5x 450,STU 8	8	450	15	–	4,4	133	0.29
718-580	HOSE,CR 45 DN 6,5x 580,STU 8	8	580	15	–	4,4	141	0.31
Low-pressure hoses with tube stud Ø8 mm and metal braid								
718-400-M	HOSE,CR 45 DN 6,5x 400,STU 8 MET.BRAID.	8	400	15	16	4,4	136	0.30
718-450-M	HOSE,CR 45 DN 6,5x 450,STU 8 MET.BRAID.	8	450	15	16	4,4	157	0.35
718-500-M	HOSE,CR 45 DN 6,5x 500,STU 8 MET.BRAID.	8	500	15	16	4,4	174	0.38

¹⁾ Material hose: mineral oil resistant CR rubber inside; 2 layers of braided rayon, outside rubber conditionally oil resistant, resistant to light cracks and ozone.
Material metal braid: galvanized steel wire; tube ends: galvanized steel tubing.

Tubes and hoses

Low-pressure hoses for main lines max. 45 bar with tapered sleeve and socket union on both ends

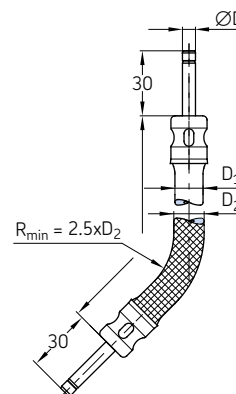


Order number	Designation ¹⁾	Tube	Length	Rubber	Metal	Thread	Max. increase in volume at 80 bar	Weight	
		ØD		ØD ₁	braided	D ₂		D ₃	g
		mm	mm	mm	mm	mm	cm ³ /m		
Low-pressure hoses with tapered sleeve socket union									
714-180-K	HOSE, CR 45 DN 3x 180, M8x1	4	180	11	-	M8x1	2,5	45	0.10
714-220-K	HOSE, CR 45 DN 3x 220, M8x1	4	220	11	-	M8x1	2,5	49	0.11
714-260-K	HOSE, CR 45 DN 3x 260, M8x1	4	260	11	-	M8x1	2,5	53	0.12
714-300-K	HOSE, CR 45 DN 3x 300, M8x1	4	300	11	-	M8x1	2,5	59	0.13
714-380-K	HOSE, CR 45 DN 3x 380, M8x1	4	380	11	-	M8x1	2,5	68	0.15
714-420-K	HOSE, CR 45 DN 3x 420, M8x1	4	420	11	-	M8x1	2,5	76	0.17
714-450-K	HOSE, CR 45 DN 3x 450, M8x1	4	450	11	-	M8x1	2,5	84	0.19
714-500-K	HOSE, CR 45 DN 3x 500, M8x1	4	500	11	-	M8x1	2,5	90	0.20
714-580-K	HOSE, CR 45 DN 3x 580, M8x1	4	580	11	-	M8x1	2,5	100	0.22
Low-pressure hoses with tapered sleeve socket union and metal braid									
714-180-MK	HOSE, CR 45 DN 3x 180, M8x1 MET.BRAID.	4	180	11	12	M8x1	2,5	63	0.14
714-260-MK	HOSE, CR 45 DN 3x 260, M8x1 MET.BRAID.	4	260	11	12	M8x1	2,5	80	0.18
714-300-MK	HOSE, CR 45 DN 3x 300, M8x1 MET.BRAID.	4	300	11	12	M8x1	2,5	85	0.19
714-400-MK	HOSE, CR 45 DN 3x 400, M8x1 MET.BRAID.	4	400	11	12	M8x1	2,5	110	0.24
714-500-MK	HOSE, CR 45 DN 3x 500, M8x1 MET.BRAID.	4	500	11	12	M8x1	2,5	120	0.26
714-580-MK	HOSE, CR 45 DN 3x 580, M8x1 MET.BRAID.	4	580	11	12	M8x1	2,5	140	0.31
Low-pressure hoses with tapered sleeve socket union									
716-220-K	HOSE, CR 45 DN 4,5x 220, M10x1	6	220	13	-	M10x1	3,6	68	0.15
716-300-K	HOSE, CR 45 DN 4,5x 300, M10x1	6	300	13	-	M10x1	3,6	80	0.18
716-340-K	HOSE, CR 45 DN 4,5x 340, M10x1	6	340	13	-	M10x1	3,6	85	0.19
716-380-K	HOSE, CR 45 DN 4,5x 380, M10x1	6	380	13	-	M10x1	3,6	92	0.20
716-420-K	HOSE, CR 45 DN 4,5x 420, M10x1	6	420	13	-	M10x1	3,6	98	0.22
716-500-K	HOSE, CR 45 DN 4,5x 500, M10x1	6	500	13	-	M10x1	3,6	113	0.25
716-580-K	HOSE, CR 45 DN 4,5x 580, M10x1	6	580	13	-	M10x1	3,6	127	0.28
Low-pressure hoses with tapered sleeve socket union and metal braid									
716-300-MK	HOSE, CR 45 DN 4,5x 300, M10x1 MET.BRAID.	6	300	13	14	M10x1	3,6	110	0.24
716-400-MK	HOSE, CR 45 DN 4,5x 400, M10x1 MET.BRAID.	6	400	13	14	M10x1	3,6	140	0.31
716-450-MK	HOSE, CR 45 DN 4,5x 500, M10x1 MET.BRAID.	6	450	13	14	M10x1	3,6	160	0.35
716-500-MK	HOSE, CR 45 DN 4,5x 580, M10x1 MET.BRAID.	6	500	13	14	M10x1	3,6	180	0.40
Low-pressure hoses with tapered sleeve socket union									
718-340-K	HOSE, CR 45 DN 6,5x 400, M14x1,5	8	340	15	-	M14x1,5	4,4	116	0.26
718-450-K	HOSE, CR 45 DN 6,5x 450, M14x1,5	8	450	15	-	M14x1,5	4,4	147	0.32
718-580-K	HOSE, CR 45 DN 6,5x 500, M14x1,5	8	580	15	-	M14x1,5	4,4	164	0.36
Low-pressure hoses with tapered sleeve socket union and metal braid									
718-400-MK	HOSE, CR 45 DN 6,5x 400, M14x1,5 MET.BRAID.	8	400	15	16	M14x1,5	4,4	160	0.35
718-450-MK	HOSE, CR 45 DN 6,5x 450, M14x1,5 MET.BRAID.	8	450	15	16	M14x1,5	4,4	195	0.43
718-500-MK	HOSE, CR 45 DN 6,5x 500, M14x1,5 MET.BRAID.	8	500	15	16	M14x1,5	4,4	221	0.49

¹⁾ Material hose: mineral oil resistant CR rubber inside; 2 layers of braided rayon, outside rubber conditionally oil resistant, resistant to light cracks and ozone.
Material metal braid: galvanized steel wire; tube ends: galvanized steel tubing.

Tubes and hoses

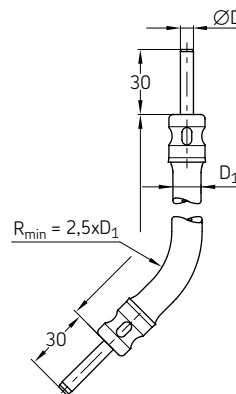
Low-pressure hoses for main lines max. 45 bar with socket union on both ends and with claw groove for quick connectors



Order number	Designation ¹⁾	Tube ØD	Length	Rubber ØD ₁	Metal braided D ₂	Max. increase in volume at 80 bar	Weight
		mm	mm	mm	mm	cm ³ /m	g <i>lb</i>
Low-pressure hoses with tube stud Ø4 mm with claw groove for quick connectors							
714-180-VS	HOSE,CR 45 DN 3x 180,VS	4	180	11	-	2,5	39 <i>0.09</i>
714-220-VS	HOSE,CR 45 DN 3x 220,VS	4	220	11	-	2,5	43 <i>0.09</i>
714-260-VS	HOSE,CR 45 DN 3x 260,VS	4	260	11	-	2,5	48 <i>0.11</i>
714-300-VS	HOSE,CR 45 DN 3x 300,VS	4	300	11	-	2,5	57 <i>0.13</i>
714-380-VS	HOSE,CR 45 DN 3x 380,VS	4	380	11	-	2,5	61 <i>0.13</i>
714-420-VS	HOSE,CR 45 DN 3x 420,VS	4	420	11	-	2,5	70 <i>0.15</i>
714-450-VS	HOSE,CR 45 DN 3x 450,VS	4	450	11	-	2,5	74 <i>0.16</i>
714-500-VS	HOSE,CR 45 DN 3x 500,VS	4	500	11	-	2,5	84 <i>0.19</i>
714-580-VS	HOSE,CR 45 DN 3x 580,VS	4	580	11	-	2,5	92 <i>0.20</i>
Low-pressure hoses with tube stud Ø4 mm with claw groove for quick connectors and metal braid							
714-180-M-VS	HOSE,CR 45 DN 3x 180,VS MET.BRAID.	4	180	11	12	2,5	56 <i>0.12</i>
714-260-M-VS	HOSE,CR 45 DN 3x 260,VS MET.BRAID.	4	260	11	12	2,5	69 <i>0.15</i>
714-300-M-VS	HOSE,CR 45 DN 3x 300,VS MET.BRAID.	4	300	11	12	2,5	75 <i>0.17</i>
714-400-M-VS	HOSE,CR 45 DN 3x 400,VS MET.BRAID.	4	400	11	12	2,5	97 <i>0.21</i>
714-500-M-VS	HOSE,CR 45 DN 3x 500,VS MET.BRAID.	4	500	11	12	2,5	119 <i>0.26</i>
714-580-M-VS	HOSE,CR 45 DN 3x 580,VS MET.BRAID.	4	580	11	12	2,5	167 <i>0.37</i>
Low-pressure hoses with tube stud Ø6 mm with claw groove for quick connectors							
716-220-VS	HOSE,CR 45 DN 4,5x 220,VS	6	220	13	-	3,6	64 <i>0.14</i>
716-300-VS	HOSE,CR 45 DN 4,5x 300,VS	6	300	13	-	3,6	72 <i>0.16</i>
716-340-VS	HOSE,CR 45 DN 4,5x 340,VS	6	340	13	-	3,6	79 <i>0.17</i>
716-380-VS	HOSE,CR 45 DN 4,5x 380,VS	6	380	13	-	3,6	86 <i>0.19</i>
716-420-VS	HOSE,CR 45 DN 4,5x 420,VS	6	420	13	-	3,6	90 <i>0.20</i>
716-500-VS	HOSE,CR 45 DN 4,5x 500,VS	6	500	13	-	3,6	101 <i>0.22</i>
716-580-VS	HOSE,CR 45 DN 4,5x 580,VS	6	580	13	-	3,6	128 <i>0.28</i>
Low-pressure hoses with tube stud Ø6 mm with claw groove for quick connectors and metal braid							
716-300-M-VS	HOSE,CR 45 DN 4,5x 300,VS MET.BRAID.	6	300	13	14	3,6	108 <i>0.24</i>
716-400-M-VS	HOSE,CR 45 DN 4,5x 400,VS MET.BRAID.	6	400	13	14	3,6	140 <i>0.31</i>
716-450-M-VS	HOSE,CR 45 DN 4,5x 450,VS MET.BRAID.	6	450	13	14	3,6	155 <i>0.34</i>
716-500-M-VS	HOSE,CR 45 DN 4,5x 580,VS MET.BRAID.	6	500	13	14	3,6	165 <i>0.36</i>
Low-pressure hoses with tube stud Ø8 mm with claw groove for quick connectors							
718-340-VS	HOSE,CR 45 DN 6,5x 340,VS	8	340	15	-	4,4	117 <i>0.26</i>
718-450-VS	HOSE,CR 45 DN 6,5x 450,VS	8	450	15	-	4,4	133 <i>0.29</i>
718-580-VS	HOSE,CR 45 DN 6,5x 580,VS	8	580	15	-	4,4	141 <i>0.31</i>
Low-pressure hoses with tube stud Ø8 mm with claw groove for quick connectors and metal braid							
718-400-M-VS	HOSE,CR 45 DN 6,5x 400,VS MET.BRAID.	8	400	15	16	4,4	136 <i>0.30</i>
718-450-M-VS	HOSE,CR 45 DN 6,5x 450,VS MET.BRAID.	8	450	15	16	4,4	157 <i>0.35</i>
718-500-M-VS	HOSE,CR 45 DN 6,5x 500,VS MET.BRAID.	8	500	15	16	4,4	174 <i>0.38</i>

¹⁾ Material hose: mineral oil resistant CR rubber inside; 2 layers of braided rayon, outside rubber conditionally oil resistant, resistant to light cracks and ozone.
Material metal braid: galvanized steel wire; tube ends: galvanized steel tubing.

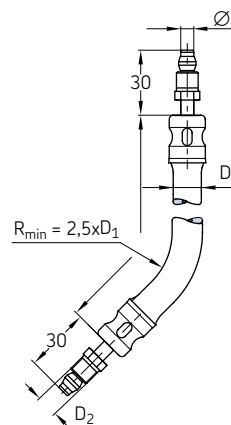
Low-pressure hoses for secondary lines max. 15 bar



Order number	Designation ¹⁾	Tube	Length	Rubber	Weight	
		ØD		ØD ₁	g	lb
		mm	mm	mm		
734-180	HOSE,CR 15 DN 3x 180,STU 4	4	180	8,8	30	0,07
734-220	HOSE,CR 15 DN 3x 220,STU 4	4	220	8,8	33	0,07
734-260	HOSE,CR 15 DN 3x 260,STU 4	4	260	8,8	37	0,08
734-300	HOSE,CR 15 DN 3x 300,STU 4	4	300	8,8	40	0,09
734-380	HOSE,CR 15 DN 3x 380,STU 4	4	380	8,8	45	0,10
734-420	HOSE,CR 15 DN 3x 420,STU 4	4	420	8,8	47	0,10
734-450	HOSE,CR 15 DN 3x 450,STU 4	4	450	8,8	48	0,11
734-500	HOSE,CR 15 DN 3x 500,STU 4	4	500	8,8	58	0,13
734-580	HOSE,CR 15 DN 3x 580,STU 4	4	580	8,8	61	0,13

¹⁾ Material hose: mineral oil resistant CR rubber inside; 2 layers of braided rayon, outside rubber conditionally oil resistant, resistant to light cracks and ozone.
Material metal braid: galvanized steel wire; tube ends: galvanized steel tubing.

Low-pressure hoses for secondary lines max. 15 bar with tapered sleeve and socket union on both ends

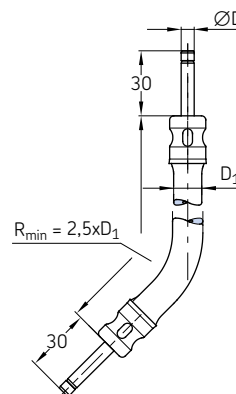


Order number	Designation ¹⁾	Tube	Length	Rubber	Thread	Weight	
		ØD		ØD ₁	ØD ₂	g	lb
		mm	mm	mm	mm		
734-180-K	HOSE,CR 15 DN 3x 180,M8x1	4	180	8,8	M8x1	36	0,08
734-220-K	HOSE,CR 15 DN 3x 220,M8x1	4	220	8,8	M8x1	41	0,09
734-260-K	HOSE,CR 15 DN 3x 260,M8x1	4	260	8,8	M8x1	44	0,10
734-300-K	HOSE,CR 15 DN 3x 300,M8x1	4	300	8,8	M8x1	46	0,10
734-380-K	HOSE,CR 15 DN 3x 380,M8x1	4	380	8,8	M8x1	51	0,11
734-420-K	HOSE,CR 15 DN 3x 420,M8x1	4	420	8,8	M8x1	53	0,12
734-450-K	HOSE,CR 15 DN 3x 450,M8x1	4	450	8,8	M8x1	56	0,12
734-500-K	HOSE,CR 15 DN 3x 500,M8x1	4	500	8,8	M8x1	60	0,13
734-580-K	HOSE,CR 15 DN 3x 580,M8x1	4	580	8,8	M8x1	68	0,15

¹⁾ Material hose: mineral oil resistant CR rubber inside; 2 layers of braided rayon, outside rubber conditionally oil resistant, resistant to light cracks and ozone.
Material metal braid: galvanized steel wire; tube ends: galvanized steel tubing.

Tubes and hoses

Low-pressure hoses
for secondary lines max. 15 bar
with claw groove for quick connectors
on both ends

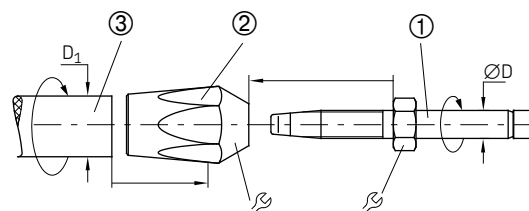


Order number	Designation ¹⁾	Tube	Length	Rubber	Weight	
		ØD		ØD ₁	g	lb
		mm	mm	mm		
734-180-VS	HOSE,CR 15 DN 3x 180,VS	4	180	8,8	30	0.07
734-220-VS	HOSE,CR 15 DN 3x 220,VS	4	220	8,8	33	0.07
734-260-VS	HOSE,CR 15 DN 3x 260,VS	4	260	8,8	37	0.08
734-300-VS	HOSE,CR 15 DN 3x 300,VS	4	300	8,8	40	0.09
734-380-VS	HOSE,CR 15 DN 3x 380,VS	4	380	8,8	45	0.10
734-420-VS	HOSE,CR 15 DN 3x 420,VS	4	420	8,8	47	0.10
734-450-VS	HOSE,CR 15 DN 3x 450,VS	4	450	8,8	48	0.11
734-500-VS	HOSE,CR 15 DN 3x 500,VS	4	500	8,8	58	0.13
734-580-VS	HOSE,CR 15 DN 3x 580,VS	4	580	8,8	61	0.13

¹⁾ Material hose: mineral oil resistant CR rubber inside; 2 layers of braided rayon, outside rubber conditionally oil resistant, resistant to light cracks and ozone.
Material metal braid: galvanized steel wire; tube ends: galvanized steel tubing.

Tubes and hoses

Low-pressure hoses suitable for self-installation max. 45 bar



Order number	Designation	Tube			Material	Max. increase in volume ~ 40 bar	Weight	
		ØD	D ₁	∅			cm ³ /m	g
		mm	mm	mm				
① Hose coupling								
406-704-001	HOSE COUPLING STRAIGHT D4 BEL	-	-	8	Steel, galvanized	1	7	0.01
406-706-001	HOSE COUPLING STRAIGHT D6 BEL	-	-	10	Steel, galvanized	1,4	11	0.02
406-708-001	HOSE COUPLING STRAIGHT D8 BEL	-	-	13	Steel, galvanized	1,4	21	0.04
406-704-001-VS	¹⁾ HOSE COUPLING STRAIGHT D4 VS	-	-	8	Steel, galvanized	1	7	0.01
406-706-001-VS	¹⁾ HOSE COUPLING STRAIGHT D6 VS	-	-	10	Steel, galvanized	1,4	11	0.02
406-708-001-VS	¹⁾ HOSE COUPLING STRAIGHT D8 VS	-	-	13	Steel, galvanized	1,4	21	0.04
② Threaded sleeve								
406-804-001	THREADED SLEEVE F.HOSE STUD D4	-	-	14	Brass	1	20	0.04
406-806-001	THREADED SLEEVE F.HOSE STUD D6	-	-	17	Brass	1,4	31	0.07
406-808-001	THREADED SLEEVE F.HOSE STUD D8	-	-	19	Brass	1,4	36	0.08
③ Hose								
WVN701-4	²⁾ HOSE,CR 45 DN 3	4	11	-	Perbunan, braided rayon	1	117	0.26
WVN701-6	²⁾ HOSE,CR 45 DN 4,5	6	13	-	Perbunan, braided rayon	1,4	153	0.34
WVN701-8	²⁾ HOSE,CR 45 DN 6,5	8	15	-	Perbunan, braided rayon	1,4	190	0.42

¹⁾ VS = version with claw groove on tube ends for quick connectors

²⁾ Please quote length when ordering. Max. length available 20 m

³⁾ Perbunan, resistant to mineral oils, with two layers of braided rayon

Permissible operating pressure: -40 to +100 °C / -40 to +212 °F

Installation notes

- Apply thin film of oil to inner hose end, inner threaded sleeve and outer hose coupling end.
- Screw threaded sleeve onto hose end up to the stop.
- Clamp threaded sleeve in vise and screw in hose coupling turning it to the left up to the stop.

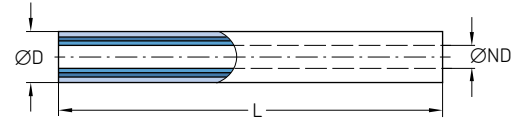


Important note

To avoid damage, screw all parts only up to the stop. Do not tighten!

Tubes and hoses

High-pressure hoses for self-installation



Order number ¹⁾	Designation	Tube ØD	Nominal diameter ND	Length m	Material hose	Burst pressure		Weight	
						bar	psi	g	lb
WVN711-10	HOSE, 3TE,NW8,0 HIGHFLEXIBLE	16,5	8	1	Polyamide, polyurethane ²⁾	130	1 885	198	0.432
111-35114-1	HOSE PL300 NW4,0 HIGHFLEXIBLE	8,6	4	1	Polyamide, polyurethane ²⁾	840	12 183	48	0.106
1110-00000002	HP HOSE 8,6/4,1-PA6/PUR-BK COIL50M	8,6	4	50	Polyamide, polyurethane ²⁾	840	12 183	2400	5.291
982-750-111	HOSE, PL400 NW6,0 HIGHFLEXIBLE	11,2	6	1	Polyamide, polyurethane ²⁾	840	12 183	70	0.154
1110-00000001	HP HOSE 11,3/6,4-PA6/PUR-BK COIL50M	11,2	6	50	Polyamide, polyurethane ²⁾	840	12 183	3500	7.716

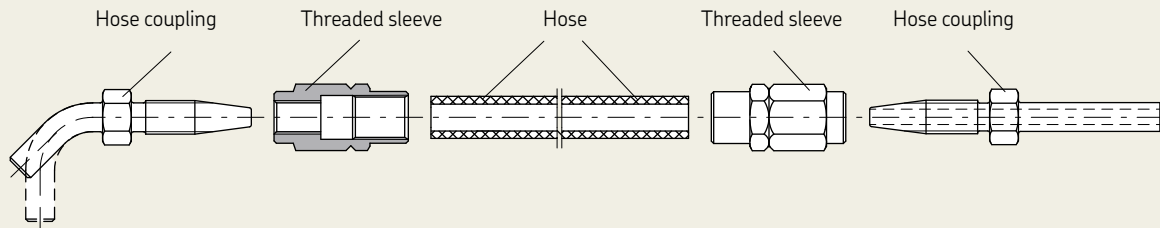
¹⁾ Hoses can be delivered prefilled with lubricant on request.
²⁾ Inner hose = polyamide, soft; pressure reinforcement = polyamide high strength; sheathing = polyurethane

Installation notes

- a) Apply thin film of oil to inner hose end, inner threaded sleeve and outer hose coupling end.
- b) Screw threaded sleeve onto hose end up to the stop.
- c) Clamp threaded sleeve in vise and screw in hose coupling turning it to the left up to the stop.

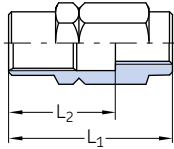
! Important note
 To avoid damage, screw all parts only up to the stop. Do not tighten!

Scheme - High-pressure hose self-mounting components

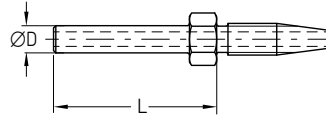


Threaded joints for high-pressure hoses

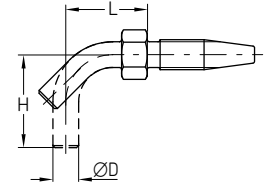
Threaded sleeve



Hose coupling straight



Hose coupling bent



Order number	Designation	Tube ØD DN		L	H	Material	Weight	
		mm	mm				g	lb
853-540-010	THREADED SLEEVE F.HOSE STUD D 6	6	4	28	17	Zinc-nickel, Cr-6-free	12	0.26
432-23676-1	THREADED SLEEVE F.HOSE STUD 6 VA	6	4	28	17	Stainless steel	12	0.26
Quick connector								
853-380-006-VS	HOSE COUPLING STRAIGHT D4 VS	4	2	39	–	Zinc-nickel, Cr-6-free	12	0.26
853-380-002-VS	HOSE COUPLING STRAIGHT D 6 VS	6	4	39	–	Zinc-nickel, Cr-6-free	12	0.26
853-390-002-VS	HOSE COUPLING STRAIGHT D 6 VS	6	4	75	–	Zinc-nickel, Cr-6-free	18	0.03
853-390-006-VS	HOSE COUPLING 10DEGREE D 6 VS	6	4	70	10	Zinc-nickel, Cr-6-free	18	0.03
853-390-005-VS	HOSE COUPLING 30DEGREE D 6 VS	6	4	70	17	Zinc-nickel, Cr-6-free	19	0.04
853-380-004-VS	HOSE COUPLING 45DEGREE D 6 VS	6	4	40	23	Zinc-nickel, Cr-6-free	14	0.03
853-380-007-VS	HOSE COUPLING 45DEGREE D 6 VS	6	4	65	18	Zinc-nickel, Cr-6-free	19	0.04
853-390-004-VS	HOSE COUPLING 45DEGREE D 6 VS	6	4	65	24	Zinc-nickel, Cr-6-free	19	0.04
853-380-003-VS	HOSE COUPLING 90DEGREE D 6 VS	6	4	19	35	Zinc-nickel, Cr-6-free	14	0.03
853-390-003-VS	HOSE COUPLING 90DEGREE D 6 VS	6	4	30	50	Zinc-nickel, Cr-6-free	19	0.04
855-380-002-VS	HOSE COUPLING VA STRAIGHT D 6 VS	6	4	39	–	Stainless steel	12	0.26
855-380-003-VS	HOSE COUPLING VA 90DEGREE D 6 VS	6	4	19	35	Stainless steel	13	0.03
Screwed version								
853-370-002	HOSE COUPLING STRAIGHT D 6 BEL	6	4	26	–	Zinc-nickel, Cr-6-free	10	0.02
853-380-002	HOSE COUPLING STRAIGHT D 6 BEL	6	4	36	–	Zinc-nickel, Cr-6-free	12	0.02
853-390-002	HOSE COUPLING STRAIGHT D 6 BEL	6	4	75	–	Zinc-nickel, Cr-6-free	20	0.04
853-380-004	HOSE COUPLING 45DEGREE D 6 BEL	6	4	23	11	Zinc-nickel, Cr-6-free	20	0.04
853-380-003	HOSE COUPLING 90DEGREE D 6 BEL	6	4	19	21	Zinc-nickel, Cr-6-free	10	0.02
853-390-003	HOSE COUPLING 90DEGREE D 6 BEL	6	4	30	50	Zinc-nickel, Cr-6-free	20	0.04
406-808-005	THREADED SLEEVE F.HOSE STUD D 8	8	6	35	23	Zinc-nickel, Cr-6-free	34	0.07
855-380-002	HOSE COUPLING VA STRAIGHT D 6 BEL	6	4	36	–	Stainless steel	12	0.02
855-380-003	HOSE COUPLING VA 90DEGREE D 6 BEL	6	4	19	21	Stainless steel	13	0.02
406-808-005-S3	THREADED SLEEVE F.HOSE STUD D 8 VA	8	6	35	23	Stainless steel	34	0.07
Quick connector								
406-708-005-VS	HOSE COUPLING STRAIGHT D 8 VS	8	6	39	–	Zinc-nickel, Cr-6-free	21	0.05
Screwed version								
406-708-005	HOSE COUPLING STRAIGHT D 8 BEL	8	6	26	–	Zinc-nickel, Cr-6-free	19	0.04
406-708-006	HOSE COUPLING STRAIGHT D 8 BEL	8	6	32	–	Zinc-nickel, Cr-6-free	20	0.04
406-708-007	HOSE COUPLING STRAIGHT D 8 BEL	8	6	53	–	Zinc-nickel, Cr-6-free	24	0.05
406-708-009	HOSE COUPLING 45DEGREE D 8 BEL	8	6	43	26	Zinc-nickel, Cr-6-free	20	0.04
406-708-008	HOSE COUPLING 90DEGREE D 8 BEL	8	6	25	34	Zinc-nickel, Cr-6-free	20	0.04
406-810-002	THREADED SLEEVE F.HOSE STUD D10	10	8	41	32	Zinc-nickel, Cr-6-free	47	0.10
406-708-005-S3	HOSE COUPLING VA STRAIGHT D 8 BEL	8	6	22	–	Stainless steel	20	0.04
Screwed version								
406-710-002	HOSE COUPLING STRAIGHT D 10 BEL	10	8	35	–	Zinc-nickel, Cr-6-free	32	0.07

Tubes and hoses

Ready-made plastic tubes



Description

Ready-made SKF plastic tubes are configurable tubes with individual lengths optionally available prefilled with standard greases for quick and easy mounting. They come with diameters of 4, 6, 8 and 10 mm and optionally also with hose protection and customer-specific markings as hose label, printing or with clips. Configuration takes place via SKF online tube configurator or via SKF parts library app.

Features and benefits

- Individual tubes
- Ready-made tubes for quick and easy mounting
- Automatically created order numbers for easy ordering
- Online configuration incl. visualization for optical control
- CAD data and documentation download

Applications

- Metal and plastic forming machinery
- Agriculture, automation
- Construction machinery
- Renewable energy
- Machine tools
- Printing
- Marine

Technical data

Function	plastic tubes
Operating temperature	-60 to +80 °C
Operating pressure	max. 25–80 bar; 362–1 160 psi depending on model/size/length
Diameters	4, 6, 8, 10 mm
Wall thickness	0,5–1,5 mm
Lengths	50–10 000 mm; 1.9–393 in
Optional prefilling	SKF standard grease NLGI 2 or Lincoln standard grease NLGI 2
Optional markings	label, printing or clips
Materials	polyamide PA 12, available in PA 12 H - semirigid, unplasticized, stabilized against heat and aging PA 12 HL - semirigid, unplasticized, stabilized against light, heat and aging PA 12 PH - flexible, containing plasticizer, stabilized against heat and aging PA 12 PHL - flexible, containing plasticizer, stabilized against light, heat and aging

Online tube configurator

3D CAD data, technical drawings and data sheets of SKF ready-made plastic tubes are now available in native format in the online parts library. In addition to enjoying easy CAD downloads, you can configure tubes with individual lengths and integrate them into your design process - try it!



<https://skf-lubrication.partcommunity.com>

Ready-made high-pressure hoses



Description

Ready-made SKf high-pressure hoses are configurable hoses with individual lengths and fittings optionally available prefilled with standard greases for quick and easy mounting. They come with diameters of 4, 6, and 8 mm, optionally also with hose protection and on request also available with customer-specific markings, for example with a hose label, printing or with clips. Configuration takes place via SKf online tube configurator or via SKf parts library app.

Features and benefits

- Individual high-pressure hoses
- Ready-made hoses for quick and easy mounting
- Automatically created order numbers for easy ordering
- Online configuration incl. visualization for optical control
- CAD data and documentation download

Applications

- Metal and plastic forming machinery
- Agriculture, automation
- Construction machinery
- Renewable energy
- Machine tools
- Printing
- Marine

Technical data

Function	high-pressure hoses
Material	polyamide, polyurethane
Nominal diameter	4, 6 or 8 mm
Outer diameter	8,6, 11,2 or 16,5 mm
Lengths	50–10 000 mm; 1.9–393 in
Optional prefilling	SKf standard grease NLGI 2 or Lincoln standard grease NLGI 2
Optional markings	label, printing or clips
Operating pressure	max. 130–840 bar; 1 885–12 183 psi depending on model/size/length

Online hose configurator

3D CAD data, technical drawings and data sheets of SKf ready-made high-pressure hoses are now available in native format in the online parts library. In addition to enjoying easy CAD downloads, you can combine and configure hoses with the fittings of your choice and integrate them into your design process - try it!



<https://skf-lubrication.partcommunity.com>

Fixing material



Description

The following chapter includes the screws and bolts for fixing the individual components of lubrication systems, as well as cable straps, mounting bases and a large selection of pipe clamps for fixing the pipes.

Clamps for pipes with a diameter of 8 mm and 10 mm are available in two versions: One according to DIN 72573 and another reinforced design version with a thicker and wider metal sheet than DIN 72573.

For use in corrosive areas, various mounting parts are also available in stainless steel (material 1.4571).

Features and benefits

- Wide product range with many different dimensions
- Recommended and reliable fixing material for lubrication system components such as pipes and tubes
- Suitable for all types of automatic lubrication systems

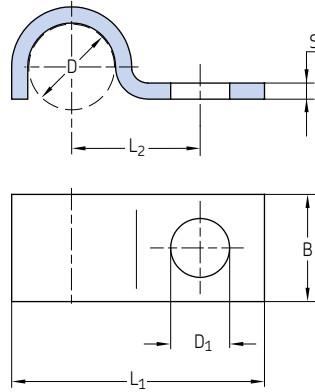
Applications

- Metal forming machines
- On- and off-road vehicles
- Construction and mining
- Agriculture machinery
- Packaging machines
- General industry
- Etc.

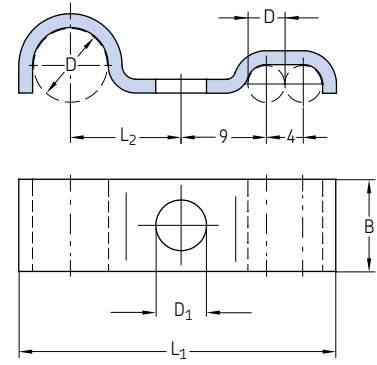
Fixing material

Fixing clips

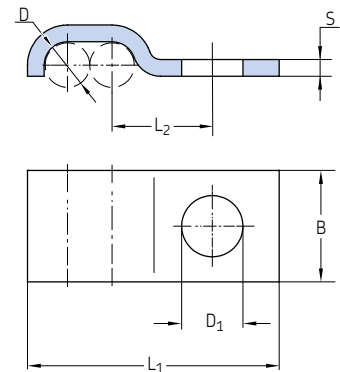
602-001 – 612-001, 226-xxxx-1



608-003



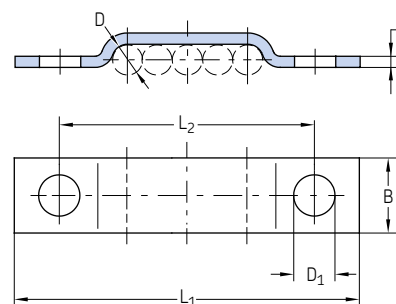
Order number	Designation	Tube ØD	B	D ₁	L ₁	L ₂	S	Material	Weight (100 pcs)	
									g	lb
Steel										
602-001	TUBE CLAMP ST-Z D 2,5(1x)	2,5 mm	10	3,5	11,25	5	1,5	Steel	200	0.44
604-001	TUBE CLAMP ST-Z D 4(1x)	4 mm	10	5,5	18,5	9	1,5	Steel	200	0.44
606-010	TUBE CLAMP ST-Z D 6(1x)	6 mm	10	5,5	20,5	10	1,5	Steel	300	0.66
608-001	TUBE CLAMP ST-Z D 8(1x)	8 mm	10	5,5	23,5	12	1,5	Steel	300	0.66
610-001	TUBE CLAMP ST-Z D10(1x)	10 mm or 1/8	10	5,5	25,5	13	1,5	Steel	400	0.88
612-001	TUBE CLAMP ST-Z D12(1x)	12 mm	20	6,8	35	18	2	Steel	500	1.1
608-003	TUBE CLAMP ST-Z D 8(1x)D4(2x)	8/4	10	5,5	34	12	1,5	Steel	100	0.22
Zinc-plated steel										
226-12337-1	TUBE CLAMP ST-Z D 8(1X)ZG	8 mm	15	7	28	15,5	2	Zinc-plated steel	700	1.54
226-12338-1	TUBE CLAMP ST-Z D10(1X)ZG	10 mm	15	7	30	15	2	Zinc-plated steel	800	1.76
Stainless steel										
226-12335-7	TUBE CLAMP 1.4571 D 6 (1X)	6 mm	10	4,8	20,5	10	1	Stainless steel	200	0.44
226-13717-1	TUBE CLAMP 1.4571 D 8(1X)ZG	8 mm	15	7	28	15,5	2	Stainless steel	700	1.54
226-13673-1	TUBE CLAMP 1.4571 D10(1X)ZG	10 mm	15	7	30	15	2	Stainless steel	800	1.76



Order number	Designation	Tube Number		B	D ₁	L ₁	L ₂	S	Material	Weight (100 pcs)	
		ØD	of tubes							g	lb
602-002	TUBE CLAMP ST-Z D 2,5(2x)	2,5	2	10	3,5	13,8	5	1,5	Mild steel	200	0.44
604-002	TUBE CLAMP ST-Z D 4(2x)	4	2	10	5,5	22,6	9	1,5	Mild steel	200	0.44
604-003	TUBE CLAMP ST-Z D 4(3x)	4	3	10	5,5	26,6	9	1,5	Mild steel	300	0.66

Fixing material

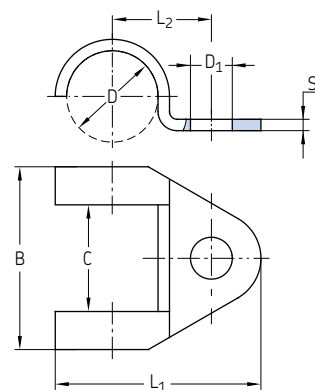
Fixing clips



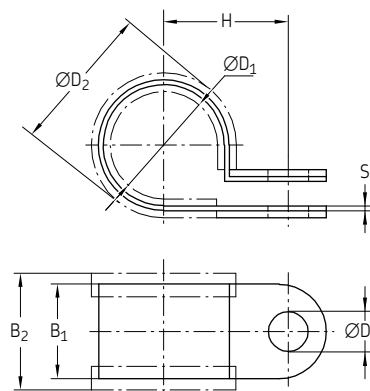
Order number	Designation	Tube Number		B	D ₁	L ₁	L ₂	S	Material	Weight (100 pcs)	
		∅D	of tubes							g	lb
		mm	mm	mm	mm	mm	mm	mm			
Mild steel											
604-014	TUBE CLAMP ST-Z D 4(4x)	4	4	10	5,5	42	30	1,5	Mild steel	400	0.88
604-015	TUBE CLAMP ST-Z D 4(5x)	4	5	10	5,5	46	34	1,5	Mild steel	400	0.88
604-016	TUBE CLAMP ST-Z D 4(6x)	4	6	10	5,5	50	38	1,5	Mild steel	500	1.1
604-018	TUBE CLAMP ST-Z D 4(8x)	4	8	10	5,5	58	46	1,5	Mild steel	600	1.32
DIN 72573-2x6-ST	TUBE CLAMP ST-Z D 6(2x)	6	2	10	4,8	39	27	1	Mild steel	300	0.66
DIN 72573-3x6-ST	TUBE CLAMP ST-Z D 6(3x)	6	3	10	4,8	45	33	1	Mild steel	400	0.88
DIN 72573-4x6-ST	TUBE CLAMP ST-Z D 6(4x)	6	4	10	4,8	51	39	1	Mild steel	400	0.88
DIN 72573-5x6-ST	TUBE CLAMP ST-Z D 6(5x)	6	5	10	4,8	57	45	1	Mild steel	400	0.88
DIN 72573-6x6-ST	TUBE CLAMP ST-Z D 6(6x)	6	6	10	4,8	64	52	1	Mild steel	600	1.32
DIN 72573-2x8-ST	TUBE CLAMP ST-Z D 8(2x)	8	2	10	4,8	43	31	1	Mild steel	400	0.88
DIN 72573-3x8-ST	TUBE CLAMP ST-Z D 8(3x)	8	3	10	4,8	51	39	1	Mild steel	400	0.88
DIN 72573-4x8-ST	TUBE CLAMP ST-Z D 8(4x)	8	4	10	4,8	59	47	1	Mild steel	500	1.1
DIN 72573-5x8-ST	TUBE CLAMP ST-Z D 8(5x)	8	5	10	4,8	68	56	1	Mild steel	600	1.32
DIN 72573-6x8-ST	TUBE CLAMP ST-Z D 8(6x)	8	6	10	4,8	76	64	1	Mild steel	700	1.54
DIN 72573-2x10-ST	TUBE CLAMP ST-Z D10(2x)	10	2	10	4,8	45	33	1	Mild steel	400	0.88
DIN 72573-3x10-ST	TUBE CLAMP ST-Z D10(3x)	10	3	10	4,8	55	43	1	Mild steel	500	1.1
DIN 72573-4x10-ST	TUBE CLAMP ST-Z D10(4x)	10	4	10	4,8	67	55	1	Mild steel	600	1.32
DIN 72573-5x10-ST	TUBE CLAMP ST-Z D10(5x)	10	5	10	4,8	77	65	1	Mild steel	800	1.76
Zinc-plated steel											
226-12337-2	TUBE CLAMP ST-Z D 8(2X)ZG	8	2	15	7	61,2	39	2	Zinc-plated steel	1 300	2.87
226-12337-3	TUBE CLAMP ST-Z D 8(3X)ZG	8	3	15	7	69,2	47	2	Zinc-plated steel	1 500	3.31
226-12337-4	TUBE CLAMP ST-Z D 8(4X)ZG	8	4	15	7	77,2	55	2	Zinc-plated steel	1 700	3.75
226-12337-5	TUBE CLAMP ST-Z D 8(5X)ZG	8	5	15	7	85,2	63	2	Zinc-plated steel	1 800	3.97
226-12337-6	TUBE CLAMP ST-Z D 8(6X)ZG	8	6	15	7	93,2	71	2	Zinc-plated steel	2 000	4.41
226-12338-2	TUBE CLAMP ST-Z D10(2X)ZG	10	2	15	7	65,3	40	2	Zinc-plated steel	1 300	2.87
226-12338-3	TUBE CLAMP ST-Z D10(3X)ZG	10	3	15	7	75,3	50	2	Zinc-plated steel	1 600	3.53
226-12338-4	TUBE CLAMP ST-Z D10(4X)ZG	10	4	15	7	85,3	60	2	Zinc-plated steel	1 800	3.97
226-12338-5	TUBE CLAMP ST-Z D10(5X)ZG	10	5	15	7	95,3	70	2	Zinc-plated steel	2 000	4.41
226-12338-6	TUBE CLAMP ST-Z D10(6X)ZG	10	6	15	7	105,3	80	2	Zinc-plated steel	2 200	4.85
Stainless steel											
DIN72573-1x6-NIRO	TUBE CLAMP 1.4571 D 6(1x)	6	1	10	4,8	32	20	1	Stainless steel	300	0.66
DIN72573-2x6-NIRO	TUBE CLAMP 1.4571 D 6(1x)	6	2	10	4,8	38	26	1	Stainless steel	300	0.66
DIN72573-3x6-NIRO	TUBE CLAMP 1.4571 D 6(2x)	6	3	10	4,8	45	33	1	Stainless steel	300	0.66
DIN72573-4x6-NIRO	TUBE CLAMP 1.4571 D 6(3x)	6	4	10	4,8	51	39	1	Stainless steel	400	0.88
DIN72573-5x6-NIRO	TUBE CLAMP 1.4571 D 6(4x)	6	5	10	4,8	57	45	1	Stainless steel	400	0.88
DIN72573-6x6-NIRO	TUBE CLAMP 1.4571 D 6(5x)	6	6	10	4,8	64	52	1	Stainless steel	500	1.1
226-13717-2	TUBE CLAMP 1.4571 D 6(6x)	8	2	15	7	61,2	39	2	Stainless steel	1 200	2.65
226-13717-3	TUBE CLAMP 1.4571 D 8(3X)ZG	8	3	15	7	69,2	47	2	Stainless steel	1 400	3.09
226-13717-4	TUBE CLAMP 1.4571 D 8(4X)ZG	8	4	15	7	77,2	55	2	Stainless steel	1 600	3.53
226-13718-1	TUBE CLAMP 1.4571 D10(2X)ZG	10	2	15	7	65,3	40	2	Stainless steel	1 300	2.87
223-13673-4	TUBE CLAMP 1.4571 D10(3X)ZG	10	3	15	7	75,3	50	2	Stainless steel	1 600	3.53
226-13673-5	TUBE CLAMP 1.4571 D10(4X)ZG	10	4	15	7	85,3	60	2	Stainless steel	1 700	3.75

Fixing material

Fixing clips



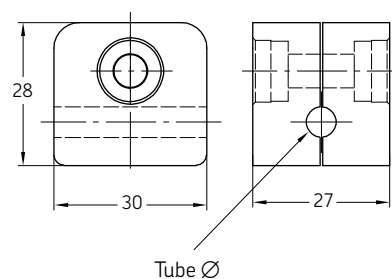
Order number	Designation	Tube ØD		B	C	D ₁	L ₁	L ₂	S	Material	Weight (100 pcs)	
		mm	in								g	lb
604-004	TUBE CLAMP ST-Z D12(1x)	12	–	24	14	5,5	27	13	1,5	Steel	500	1.1
606-014	TUBE CLAMP ST-Z D14(1x)	14	1/4	30	15	6,3	32,5	16	2	Steel	1 200	2.65
608-004	TUBE CLAMP ST-Z D18(1x)	18	3/8	36	20	7	40	21	2	Steel	1 200	2.65
610-004	TUBE CLAMP ST-Z D20(1x)	20	1/2	36	20	7	40	21	2	Steel	1 200	2.65



Order number	Designation	ØD ₁	ØD ₂	ØD ₃	B ₁	B ₂	H	S	Material	Weight (100 pcs)	
										mm	mm
941-206-104	TUBE CLAMP ST-RUB. D 6 F.FAST.SCREW M5	6	11,8	5,2	12	15	11	0,5	Steel, galvanized	400	0.88
941-206-108	TUBE CLAMP ST-RUB. D 6 F.FAST.SCREW M6	6	11,8	6,4	15	18,5	4,2	0,6	Steel, galvanized	700	1.54
941-208-104	TUBE CLAMP ST-RUB. D 8 F.FAST.SCREW M6	8	15,4	6,4	15	18,5	15,2	0,6	Steel, galvanized	800	1.76
941-209-104	TUBE CLAMP ST-RUB. D 9 F.FAST.SCREW M5	9	5	5,2	12	5	12,5	0,5	Steel, galvanized	500	1.1
941-209-105	TUBE CLAMP ST-RUB. D 9 F.FAST.SCREW M6	9	15	6,4	15	18,5	15,7	0,6	Steel, galvanized	900	1.98
941-210-104	TUBE CLAMP ST-RUB. D10 F.FAST.SCREW M6	10	17,4	6,4	15	18,5	16,2	0,6	Steel, galvanized	900	1.98
941-212-104	TUBE CLAMP ST-RUB. D12 F.FAST.SCREW M6	12	19,4	6,4	15	18,5	17,2	0,6	Steel, galvanized	1 000	2.21
941-213-104	TUBE CLAMP ST-RUB. D13 F.FAST.SCREW M6	13	20,4	6,4	15	18,5	7,7	0,6	Steel, galvanized	1 100	2.43
941-215-104	TUBE CLAMP ST-RUB. D15 F.FAST.SCREW M6	15	22,4	6,4	5	18,5	18,7	0,8	Steel, galvanized	2 000	4.41
941-217-104	TUBE CLAMP ST-RUB. D17 F.FAST.SCREW M5	17	23	5,2	12	15	16,5	0,5	Steel, galvanized	800	1.76
941-217-105	TUBE CLAMP ST-RUB. D17 F.FAST.SCREW M6	17	23	6,4	15	8,5	19,7	0,8	Steel, galvanized	1 500	3.31
941-218-101	TUBE CLAMP ST-RUB. D18 F.FAST.SCREW M6	18	24	6,4	15	8,5	20,2	0,6	Steel, galvanized	1 400	3.09
941-220-104	TUBE CLAMP ST-RUB. D20 F.FAST.SCREW M6	20	27,6	6,4	15	8,5	21,2	0,8	Steel, galvanized	1 500	3.31
941-222-100	TUBE CLAMP ST-RUB. D22 F.FAST.SCREW M6	22	28	6,4	15	18,5	22,2	0,8	Steel, galvanized	1 700	3.75
941-225-104	TUBE CLAMP ST-RUB. D25 F.FAST.SCREW M6	25	31	6,4	15	18,5	23,7	0,8	Steel, galvanized	2 000	4.41

Fixing material

Pipe brackets acc. to DIN 3015

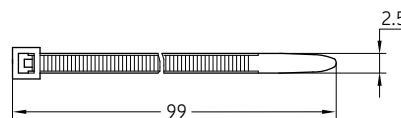
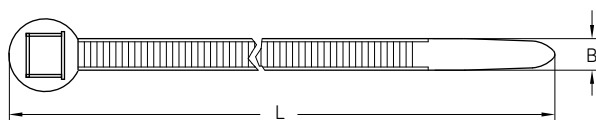


Order number	Designation	Tube Ø	Material	Weight	
				g	lb
		mm			
941-606-000	TUBE CLAMP 106 PP	6	Polypropylene	10	0.02
941-608-000	TUBE CLAMP 108 PP	8	Polypropylene	10	0.02
941-610-000	TUBE CLAMP 110 PP	10	Polypropylene	5	0.01
Tube clamp PP with weld plate, standard series					
226-12343-5	TUBE CLAMP SP 110 PP -LI	10	Polypropylene	40	0.09
226-12343-1	TUBE CLAMP SP 320 PP -LI	20	Polypropylene	77	0.17
226-13097-3	TUBE CLAMP SP 320 /20 PP -GD -AS	2x20	Polypropylene	173	0.38
226-12343-2	TUBE CLAMP SP 430 PP -LI	30	Polypropylene	80	0.18
Tube clamp PP with weld plate and cover plate, heavy series					
226-13058-3	TUBE CLAMP SPAL4020 PP -DPAL-AS	20	Polypropylene	394	0.87
226-13058-5	TUBE CLAMP SPAL5030 PP -DPAL-AS	30	Polypropylene	480	1.06

Cable straps

898-610-000, 898-710-000, 898-710-001

898-510-000

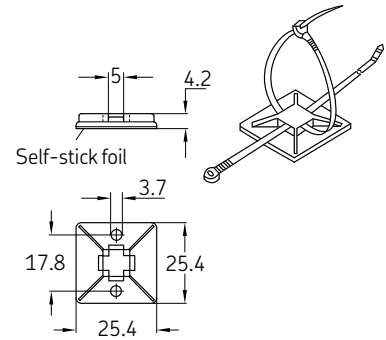


Order number	Designation	L	B	Material	Weight (100 pcs)	
					g	lb
		mm	mm			
898-610-000	CABLE STRAP SW 204LGx4,7	197	4,9	Polyamide	100	0.22
898-710-000	CABLE STRAP SW 302LGx4,8	302	4,9	Polyamide	200	0.44
898-710-001	CABLE STRAP SW 360LGx7,5	360	7,5	Polyamide	500	1.10
For automatic pincers						
898-510-000	CABLE STRAP SW 100LGx2,5	99	2,5	Polyamide	100	0.22

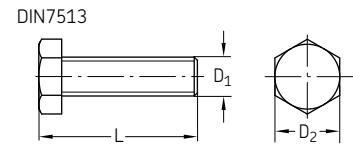
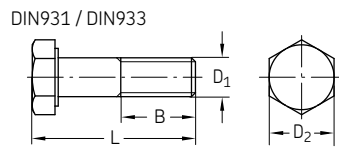
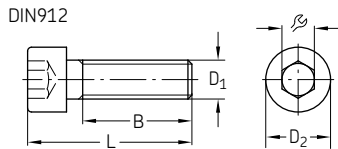
Fixing material

Mounting base

Order number	Designation	Material	Weight (100 pcs)	
			g	lb
179-990-186	MOUNTING PLATE 25,4x25,4	ABS	100	0.22



Fixing bolts



Order number	Designation	D ₁	L	D ₂	B	⌀	Material	Weight	
								g	lb
Steel, galvanized									
201-12015-5	SCREW,SOCK,HEX. 8.8 M4x 20CF	M4	20	7	14	3	Steel, galvanized	3	0.007
201-12019-9	SCREW,SOCK,HEX. 8.8 M6x 16CF	M6	16	10	18	5	Steel, galvanized	6	0.013
201-12018-7	SCREW,SOCK,HEX. 8.8 M6x 25CF	M6	25	10	18	5	Steel, galvanized	7	0.015
201-12019-6	SCREW,SOCK,HEX. 8.8 M6x 60CF	M6	60	10	18	5	Steel, galvanized	14	0.031
201-12021-3	SCREW,SOCK,HEX. 8.8 M8x 16CF	M8	16	13	12	6	Steel, galvanized	20	0.044
DIN931-M6x30-8.8	SCREW,HEX. 8.8 M 6x 30 CF	M6	30	10	18	10	Steel, galvanized	8	0.018
DIN933-M4x10-8.8	SCREW,HEX. 8.8 M 4x 10 CF	M4	10	7	5	-	Steel, galvanized	2	0.004
200-13092-1	SCREW,HEX. 8.8 M 5x 12CF	M5	12	8	6	-	Steel, galvanized	3	0.007
200-13017-9	SCREW,HEX. 8.8 M 5x 16CF	M5	16	8	11	-	Steel, galvanized	3	0.007
200-13017-5	SCREW,HEX. 8.8 M 5x 45CF	M5	45	8	40	-	Steel, galvanized	7	0.015
200-13022-4	SCREW,HEX. 8.8 M 6x 16CF	M6	16	10	9	-	Steel, galvanized	5	0.011
200-13022-7	SCREW,HEX. 8.8 M 6x 20CF	M6	20	10	13	-	Steel, galvanized	6	0.013
200-13022-1	SCREW,HEX. 8.8 M 6x 25CF	M6	25	10	19	-	Steel, galvanized	7	0.015
200-13037-3	SCREW,HEX. 8.8 M 6x 60CF	M6	60	10	53	-	Steel, galvanized	14	0.031
200-12553-4	SCREW,HEX. 8.8 M 8x 20CF	M8	20	13	11	-	Steel, galvanized	12	0.026
200-10406-7	SCREW,HEX. 8.8 M 8x 25CF	M8	25	13	16	-	Steel, galvanized	13	0.029
200-12007-6	SCREW,HEX. 8.8 M 8x 30CF	M8	30	13	21	-	Steel, galvanized	15	0.033
200-12553-8	SCREW,HEX. 8.8 M 8x 40CF	M8	40	13	31	-	Steel, galvanized	18	0.04
200-12399-2	SCREW,HEX. 8.8 M 8x 80CF	M8	80	13	71	-	Steel, galvanized	34	0.075
200-12523-3	SCREW,HEX. 8.8 M10x 40CF	M10	40	16	39	-	Steel, galvanized	30	0.066
200-12009-7	SCREW,HEX. 8.8 M12x 40CF	M12	40	18	28	-	Steel, galvanized	34	0.075
DIN7513-BM4x20	SCREW,SELF-TAPP C15 BM 4,0x 20	M4	20	7	-	-	Steel, galvanized	2	0.004
DIN7513-BM4x25	SCREW,SELF-TAPP C15 BM 4,0x 25	M4	25	7	-	-	Steel, galvanized	2	0.004
206-12124-3	SCREW,SELF-TAPP C15 BM 5,0x 10	M5	10	8,5	-	-	Steel, galvanized	2	0.004
206-12125-4	SCREW,SELF-TAPP C15 BM 6,0x 16Z	M6	16	10	-	-	Steel, galvanized	5	0.011
DIN7513-BM6x25	SCREW,SELF-TAPP C15 BM 6,0x 25	M6	25	10	-	-	Steel, galvanized	6	0.013
Stainless steel									
DIN912-M3x8-A4	SCREW,SOCK,HEX. A4 M 3x 8	M3	8	5,5	-	-	Stainless steel	1	0.002
201-13741-1	SCREW,SOCK,HEX. A4 M 4x12	M4	12	7	-	-	Stainless steel	2	0.004
201-13608-6	SCREW,SOCK,HEX. A4 M 5x10	M5	10	7	-	-	Stainless steel	2	0.004

Couplings



Description

Couplings for hydraulic or lubrication systems are required whenever a virtually leakage-free flow of media is to be separated or distributed. Typically, this happens e.g. when a pump is used to fill several lubricant reservoirs and must be connected and disconnected again and again.

For each coupling design/model, a corresponding hose is required. Conveniently, the coupling side is on the hose of the filling pump and the counterpart, the coupling nipple, is attached to the reservoir. Another coupling application in the field of lubrication systems is the coupling and uncoupling of groups of machines that need not be continuously supplied by one lubrication pump, e.g. for vehicle lubrication and trailer lubrication.

When selecting a coupling, the maximum possible pump/system pressure must be considered. In addition, there are couplings suitable mainly for either indoor or outdoor applications. If the application is not accurately defined before ordering, stainless steel or surface-treated couplings are the best choice. Couplings protect hydraulic fluids or lubricants for contamination and allow quick and high-pressure media flows.

Features and benefits

- Wide product range with different pressure rates and sizes
- Available for filling as well as for operation of automatic lubrication systems
- Quick couplings (ESK) for under-pressure coupling available
- Virtually leakage-free filling

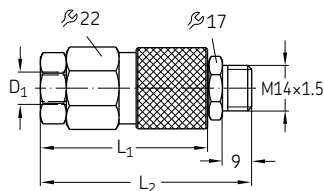
Applications

- All kinds of lubrication systems
- Printing and packaging machines
- Construction and mining
- Metal forming machines
- Vehicles, trucks, loaders
- Agriculture machinery
- General industry
- Machine tools
- Etc.

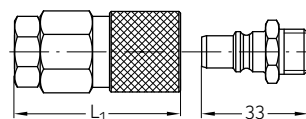
Couplings

Low-pressure quick-disconnect couplings

Coupling, complete



Outer coupling member



Inner coupling member

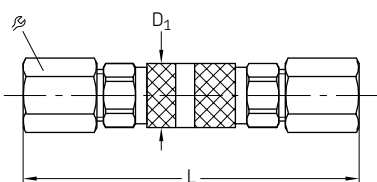
Order number	Designation	Tube \varnothing D_1 ¹⁾		L_1	L_2	Material	Operating pressure max.		Weight	
		mm	mm				bar	psi	g	lb
207-168-2	COUPLING, COMPLETE	6	M10x1	–	65	Steel, galvanized	45	653	150	0.33
207-188-2	COUPLING, COMPLETE	8	M14x1,5	–	71,5	Steel, galvanized	45	653	152	0.34
207-168.U7	OUTER COUPLING MEMBER	6	–	51,5	–	Steel, galvanized	45	653	120	0.26
207-188.U11	OUTER COUPLING MEMBER	8	–	58	–	Steel, galvanized	45	653	130	0.29
207-168.U2	INNER COUPLING MEMBER	–	–	–	–	Steel, galvanized	45	653	22	0.05

Both coupling members are shut off when disconnected!

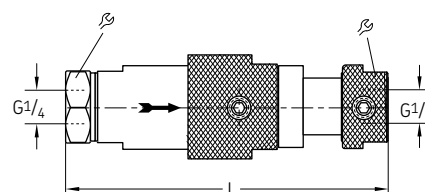
¹⁾ Ports tapped for solderless tube connection

Medium- and high-pressure quick-disconnect couplings

995-001-525, 995-001-526



626-26246-1

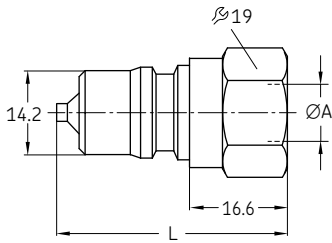


Order number	Designation	Tube \varnothing D_1		L	β	Material	Operating pressure max.		Weight	
		mm	mm				bar	psi	g	lb
995-001-525	PLUG AND SOCKET COUPLING, TUBE 4	4	10	68	10	Steel, galvanized	100	1 450	30	0.07
995-001-526	PLUG AND SOCKET COUPLING, TUBE 6	6	15	80	12	Steel, galvanized	100	1 450	35	0.08
626-26246-1	COUPLING ESK R1/4I D	–	–	124	27	Steel, galvanized	300	4 351	760	1.68

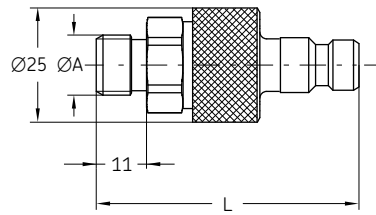
Couplings

Coupling plugs

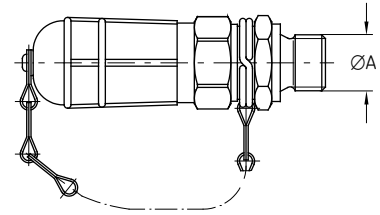
995-001-096



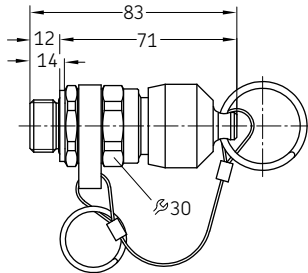
995-001-501



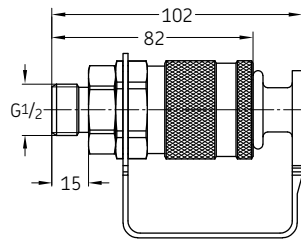
995-000-705



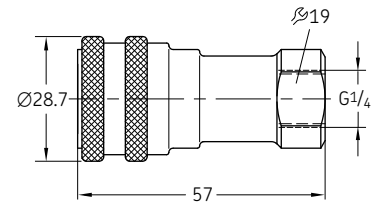
995-001-260



995-001-950



995-001-500



Order number	Designation	Material	ØA	L	Respective dust cover Order number	Respective coupling socket Order number	Operating pressure max.		Weight	
							bar	psi	g	lb
995-001-096	COUPLING PLUG G1/4 350BAR	Steel, galvanized	G 1/4	39	995-001-235	–	350	5 080	60 ¹⁾	0.13 ¹⁾
995-001-501	COUPLING PLUG G1/4 200BAR	Steel, galvanized	G 1/4	57.5	995-001-503	995-002-073	200	2 900	305 ²⁾	0.67 ²⁾
995-001-502	COUPLING PLUG G1/2 250BAR	Steel, galvanized	G 1/2	82	995-001-504	995-001-950	250	3 600	1 050 ²⁾	2.32 ²⁾
995-000-705	COUPLING PLUG G1/4 70BAR	Steel, galvanized	G 1/4	–	–	995-001-500	70	1 000	233 ³⁾	0.51 ³⁾
995-001-260	COUPLING PLUG G1/2	Steel, galvanized	G 1/2	83	–	–	–	–	229	0.50

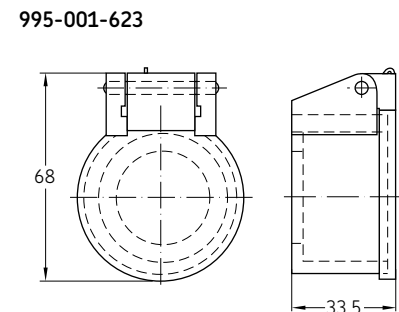
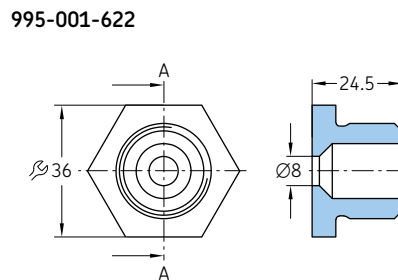
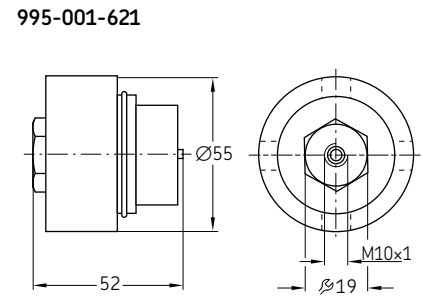
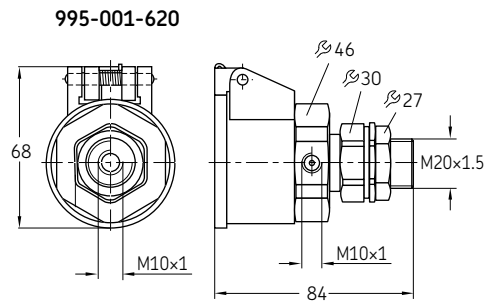
¹⁾ weight for plug + dust cover

²⁾ weight for complete coupling

³⁾ weight for plug + coupling socket

Couplings

Coupling sockets with return flow port



Order number	Designation	Material	Operating pressure max.		Weight	
			bar	psi	g	lb
995-001-620	COUPLING SOCKET	Steel, galvanized	100	1 450	480	1.06
995-001-621	RESPECTIVE COUPLING PLUG	Steel, galvanized	100	1 450	380	0.84
995-001-622	RESPECTIVE STUB	Steel, galvanized	100	1 450	100	0.22
995-001-623	RESPECTIVE DUST COVER	Steel, galvanized	100	1 450	55	0.12

Valves



Description

Several kind of valves are usually needed to operate automatic lubrication systems accurately. Intermittent or subsectioned systems only work if the right valves are installed. Valves specifically used in just one SKF system, such as in single-line lubrication systems, can be selected out of the respective SKF automatic lubrication system catalogues.

This catalogue chapter contains valves for use in multiple systems:

- Shut-off valves
- Safety valves
- Check valves
- Relief valves

In several applications, necessary valves may also come directly integrated in the pump unit, mounted in a valve block or as part of a reservoir unit.

Features and benefits

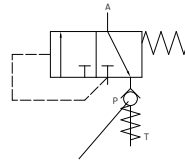
- System component protection against excessive pressure and destruction
- Cost-efficient operation due to lubrication system subsectioning
- Shut-off valves allow manual activation or deactivation of independently operating machine zones

Applications

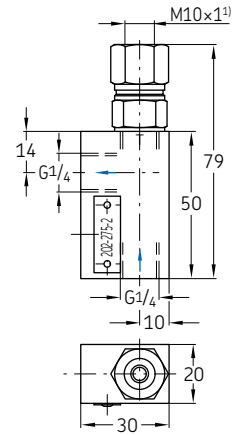
- Small-to-medium machine tools
- Mobile on-road (fleet vehicles, on-road vehicles)
- Assembly/Automation, food packaging, part assembly lines
- Pulp and paper industry
- Injection molding
- General industry
- Heavy industry
- Etc.

Relief valve

Connection diagram



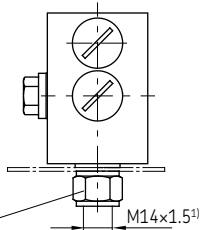
Check valve = residual pressure valve 0.5 bar



Order number	Designation	Residual pressure		Weight	
		bar	psi	g	lb
202-275-2	PRESS. RELIEF VALVE 0,5BAR G1/4	0,5	7.25	240	0.53

Relief valves with bleed valve and safety valve

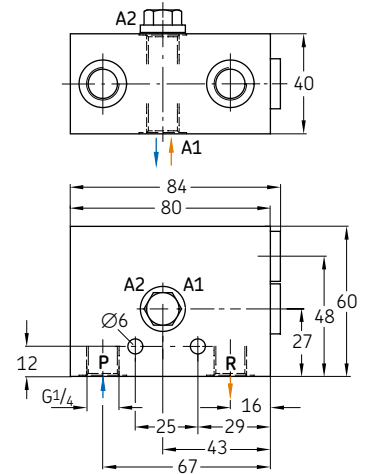
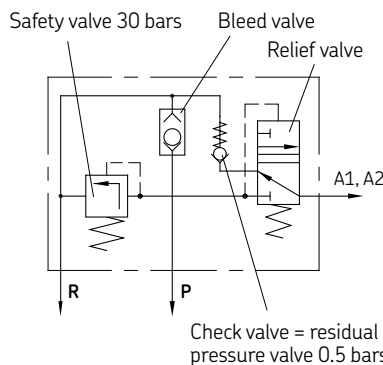
Fitted to reservoir



For P and R
2 adapters each 408-160
washers 508-108

¹⁾ Ports tapped for solderless tube connection

Relief valve circuit diagram



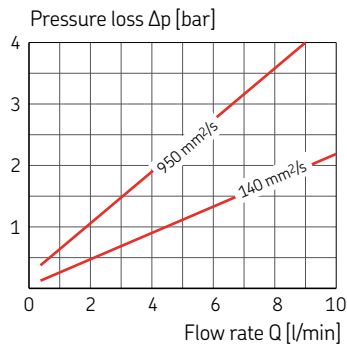
Order number	Designation	Tube Ø	Material	Residual pressure		Weight	
				bar	psi	g	lb
202-175-30	PRESS. RELIEF VALVE 30BAR R1/4	–	Aluminum	30	435	570	1.26
Adaptors ¹⁾							
406-054	CONNECTING PIECE ST 6 G1/4AZN	6	Steel, galvanized	–	–	20	0.04
301-020	CONNECTING PIECE ST 8 G1/4AZN	8	Steel, galvanized	–	–	16	0.04
410-163	CONNECTING PIECE ST 10 - G1/4AZN	10	Steel, galvanized	–	–	30	0.07

¹⁾ Ports tapped for solderless tube connection

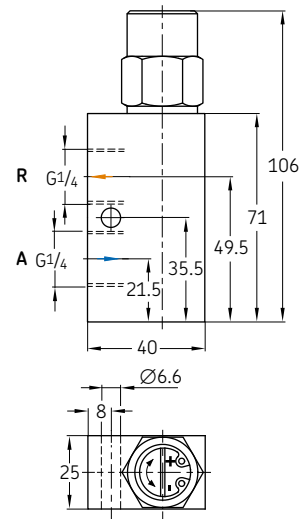
A = Outlet; P = Inlet; T (R) = Return

Valves

Pressure regulating valves, adjustable (poppet valve)



With increasing flow rate, the pressure upstream from the valve will also rise in accordance with the curves.

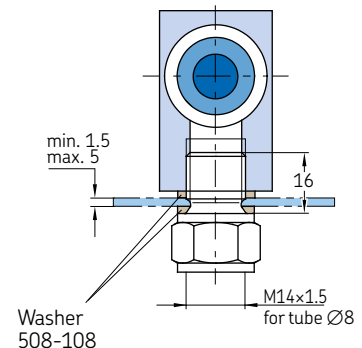


Order number	Designation	Adjustable pres. range		Operating pres. max.		Oil temperature		Viscosity range	Seal	Material	Weight	
		bar	psi	bar	psi	°C	°F				mm²/s	g
WVN200-10E6	PRES.REGUL.VALVE 1-6BAR NBR	1 to 6	14,5 to 87	40	580	80	176	20 to 1000	NBR	Steel, galvanized	500	1.10
WVN200-10E12	PRES.REGUL.VALVE 3-12BAR NBR	3 to 12	43,5 to 174	40	580	80	176	20 to 1000	NBR	Steel, galvanized	500	1.10
WVN200-10E12-S8	PRES.REGUL.VALVE 3-12BAR FPM	3 to 12	43,5 to 174	40	580	80	176	20 to 1000	FPM	Steel, galvanized	500	1.10
WVN200-10E25	PRES.REGUL.VALVE 4-25BAR NBR	4 to 25	58 to 363	40	580	80	176	20 to 1000	NBR	Steel, galvanized	500	1.10
WVN200-10E25-S8	PRES.REGUL.VALVE 4-25BAR FPM	4 to 25	58 to 363	40	580	80	176	20 to 1000	FPM	Steel, galvanized	500	1.10
WVN200-10E35	PRES.REGUL.VALVE 4-35BAR NBR	4 to 35	58 to 510	40	580	80	176	20 to 1000	NBR	Steel, galvanized	510	1.12
WVN200-10E60	PRES.REGUL.VALVE 12-60BAR NBR	12 to 60	174 to 870	70	1 015	80	176	20 to 1000	NBR	Steel, galvanized	510	1.12
WVN200-10E60-S8	PRES.REGUL.VALVE 12-60BAR FPM	12 to 60	174 to 870	70	1 015	80	176	20 to 1000	FPM	Steel, galvanized	510	1.12

General characteristics Design: poppet valve with hydraulic cushioning directly controlled
 Lubricant: oil
 Connecting thread: G 1/4
 Mounting position: optional

Adapters for valves

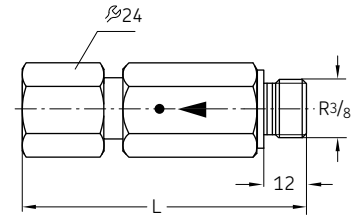
Fitted to reservoir



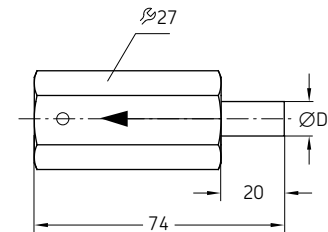
Order number	Designation	Description	Tube ØD	Material	Weight	
					g	lb
301-020	CONNECTING PIECE ST 8 - G1/4A ZN	for valves WVN200-10E6 ...10E35	8	Steel, galvanized	16	0.04
410-163	CONNECTING PIECE ST 10 - G1/4A ZN	for valves WVN200-10E6 ...10E35	10	Steel, galvanized	30	0.07
412-163	CONNECTING PIECE ST 12 - G1/4A ZN	for valves WVN200-10E6 ...10E35	12	Steel, galvanized	51	0.11
508-108	SEALING RING CU 13.3X17.9X1.5	for valves WVN200-10E6 ...10E35	-	Copper	1	0.00
223-12477-6	FITTING GE 8-L G 1/4 CF	for valve WVN200-10E60	8	Steel, galvanized	35	0.08
223-12272-9	FITTING GE 10-L G 1/4 CF	for valve WVN200-10E60	10	Steel, galvanized	41	0.09
508-108	SEALING RING CU 13.3x17.9x1.5	for valve WVN200-10E60	-	Copper	1	0.00
408-160	CONNECTING PIECE ST 8 - G1/4A ZN	adapters with long tube ends	-	Steel, galvanized	22	0.05

Valves

Pressure regulating valves, fixed pressure



Order number	Designation	L	Material	Operating pressure max.		Weight	
				bar	psi	g	lb
		mm					
624-25465-1	VALVE SV -120-G3/8A Z	88	Steel, galvanized	120	1 740	241	0.53
624-25294-1	VALVE SV -350-G3/8A Z	84	Steel, galvanized	350	5 075	241	0.53
624-27092-1	VALVE SV -410-G3/8A Z	82	Steel, galvanized	410	5 950	241	0.53

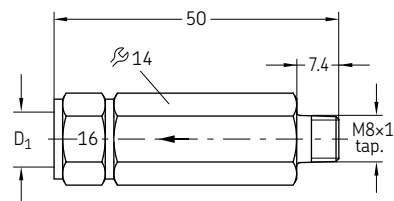


Order number	Designation	Pipe stud $\varnothing D$	Material	Operating pressure max.		Weight	
				bar	psi	g	lb
		mm					
624-25478-1	VALVE SVP -200-S 6	6	Steel, galvanized	200	2 900	237	0.52
624-25479-1	VALVE SVP -350-S 6	6	Steel, galvanized	350	5 075	236	0.52
624-25480-1	VALVE SVP -200-S 8	8	Steel, galvanized	200	2 900	240	0.53
625-25481-1	VALVE SVP -350-S 8	8	Steel, galvanized	350	5 075	240	0.53
624-25482-1	VALVE SVP -200-S 10	10	Steel, galvanized	200	2 900	240	0.53
624-25483-1	VALVE SVP -350-S 10	10	Steel, galvanized	350	5 075	260	0.57

Valves

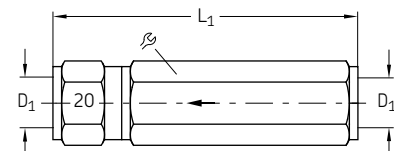
Pressure regulating valves (ball valves)

For flow rates from 0.5–2 l/min



Order number	Designation	Tube Ø	D ₁ ¹⁾	Opening pressure		Marking	Material	Weight	
				bar	psi			g	lb
WVN200-4A0.4	PRES.RELIEF VALVE 0,4 BAR D4 M 8x1	4	M8x1	0,4	5,8	0,4	Steel, galvanized	45	0.10
WVN200-4A5	PRES.RELIEF VALVE 5 BAR D4 M 8x1	4	M8x1	5	72,5	5	Steel, galvanized	47	0.10
WVN200-4A8	PRES.RELIEF VALVE 8 BAR D4 M 8x1	4	M8x1	8	116	8	Steel, galvanized	46	0.10
WVN200-4A12	PRES.RELIEF VALVE 12 BAR D4 M 8x1	4	M8x1	12	174	12	Steel, galvanized	45	0.10
WVN200-4A16	PRES.RELIF VALVE 16 BAR D4 M 8x1	4	M8x1	16	232	16	Steel, galvanized	46	0.10
WVN200-4A25	PRES.RELIEF VALVE 25 BAR D4 M 8x1	4	M8x1	25	360	25	Steel, galvanized	46	0.10
WVN200-4A0.4-S1	PRES.RELIEF VALVE 0,4 BAR D4 M10x1	6	M10x1	0,4	5,8	0,4	Steel, galvanized	48	0.11

1) Ports tapped for solderless tube connection



Order number	Designation	Tube Ø	D ₁ ¹⁾	L ₁	ϕ	Opening pressure		Marking	Material	Weight	
						bar	psi			g	lb
WVN200-6B0.5	PRES.RELIEF VALVE 0,5 BAR D6 M10x1	6	M10x1	61	14	0,5	7,25	5	Steel, galvanized	57	0.13
WVN200-6B3	PRES.RELIEF VALVE 3 BAR D6 M10x1	6	M10x1	61	14	3	43,5	3	Steel, galvanized	58	0.13
WVN200-6B8	PRES.RELIEF VALVE 8 BAR D6 M10x1	6	M10x1	61	14	8	116	8	Steel, galvanized	58	0.13
WVN200-6B12	PRES.RELIEF VALVE 12 BAR D6 M10x1	6	M10x1	61	14	12	174	12	Steel, galvanized	59	0.13
WVN200-6B16	PRES.RELIEF VALVE 16 BAR D6 M10x1	6	M10x1	61	14	16	232	16	Steel, galvanized	60	0.13
WVN200-6B20	PRES.RELIEF VALVE 20 BAR D6 M10x1	6	M10x1	61	14	20	290	20	Steel, galvanized	60	0.13
WVN200-6B40	PRES.RELIEF VALVE 40 BAR D6 M10x1	6	M10x1	61	14	40	580	40	Steel, galvanized	59	0.13
WVN200-8B0	PRES.RELIEF VALVE 0,04 BAR D8 M14x1,5	8	M14x1,5	71	17	0,04	0,58	0	Steel, galvanized	86	0.19
WVN200-8B3	PRES.RELIEF VALVE 3 BAR D8 M14x1,5	8	M14x1,5	71	17	3	43,5	3	Steel, galvanized	87	0.19
WVN200-8B5	PRES.RELIEF VALVE 5 BAR D8 M14x1,5	8	M14x1,5	71	17	5	72,5	5	Steel, galvanized	89	0.20
WVN200-8B12	PRES.RELIEF VALVE 12 BAR D8 M14x1,5	8	M14x1,5	71	17	12	174	12	Steel, galvanized	89	0.20
WVN200-8B16	PRES.RELIEF VALVE 16 BAR D8 M14x1,5	8	M14x1,5	71	17	16	232	16	Steel, galvanized	84	0.19
WVN200-8B20	PRES.RELIEF VALVE 20 BAR D8 M14x1,5	8	M14x1,5	71	17	20	290	20	Steel, galvanized	90	0.20
WVN200-8B32	PRES.RELIEF VALVE 32 BAR D8 M14x1,5	8	M14x1,5	71	17	32	464	32	Steel, galvanized	93	0.21
WVN200-10B0	PRES.RELIEF VALVE 0,04 BAR D10 M16x1,5	10	M16x1,5	80	19	0,04	0,58	0	Steel, galvanized	100	0.22
WVN200-10B0.5	PRES.RELIEF VALVE 0,5 BAR D10 M16x1,5	10	M16x1,5	80	19	0,5	7,25	5	Steel, galvanized	126	0.28
WVN200-10B1	PRES.RELIEF VALVE 1,2 BAR D10 M16x1,5	10	M16x1,5	80	19	1,2	17,4	12	Steel, galvanized	128	0.28
WVN200-10B32	PRES.RELIEF VALVE 32 BAR D10 M16x1,5	10	M16x1,5	80	19	32	464	32	Steel, galvanized	130	0.29
161-212-054 ²⁾	PRES.RELIEF VALVE 20 BAR D8 M14x1,5	10	M14x1,5	84,5	17	20	290	20	Steel, galvanized	107	0.24

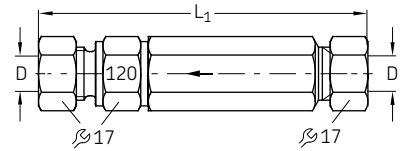
¹⁾ Ports tapped for solderless tube connection

²⁾ This valve is designed as a plunger valve. Because of this design it can also be used for regulating tasks, whereas the ball valves should be used as safety valves.

Valves

Pressure regulating valves
(ball valves)

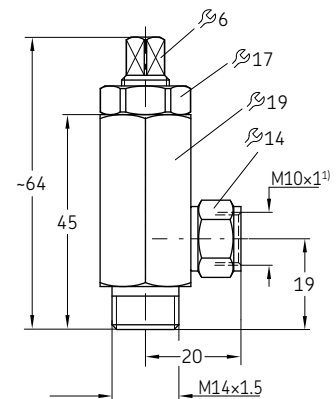
For flow rates from 0.5–2 l/min



Order number	Designation	Tube Ø		Opening pressure		Marking	Material	Weight	
		mm	mm	bar	psi			g	lb
WVN200-8D50	PRES.RELIEF VALVE 50 BAR D8	8	84	50	725	50	Steel, galvanized	130	0.29
WVN200-8D75	PRES.RELIEF VALVE 75 BAR D8	8	84	75	1 090	75	Steel, galvanized	135	0.30
WVN200-8D120	PRES.RELIEF VALVE 120 BAR D8	8	84	120	1 740	120	Steel, galvanized	130	0.29
WVN200-8D220	PRES.RELIEF VALVE 220 BAR D8	8	84	220	3 190	220	Steel, galvanized	130	0.29
WVN200-10D120-S1	PRES.RELIEF VALVE 120 BAR D8	10	87	120	1 740	120	Steel, galvanized	140	0.31
WVN200-10D220-S1	PRES.RELIEF VALVE 120 BAR D8	10	87	220	3 190	220	Steel, galvanized	135	0.30

Cutting sleeve screw unions according to DIN 2353

Shut-off valves

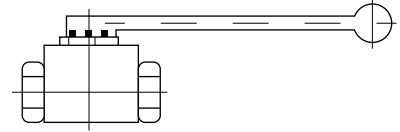


Order number	Designation	p max.		Max. temperature		Material	Weight	
		bar	psi	°C	°F		g	lb
202-085-S	SHUT OFF VALVE PN60 - M14x1,5	60	810	80	176	Steel, galvanized	110	0.24

Direction of flow optional

Valves

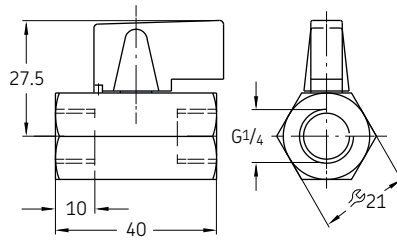
Shut-off valves



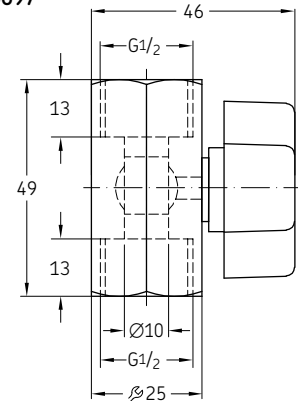
Order number	Designation	p max.		Connection	Nominal Ø DN	Material	Weight	
		bar	psi				g	lb
235-13108-4	BALL VALVE ST G 1/2I DN13 500 BAR	500	7 250	G 1/2 female	13	Steel, galvanized	640	1.41
235-13114-1	BALL VALVE ST D20 DN16 400 BAR	400	5 800	Tube Ø 20	16	Steel, galvanized	960	2.12

Direction of flow optional

161-600-036



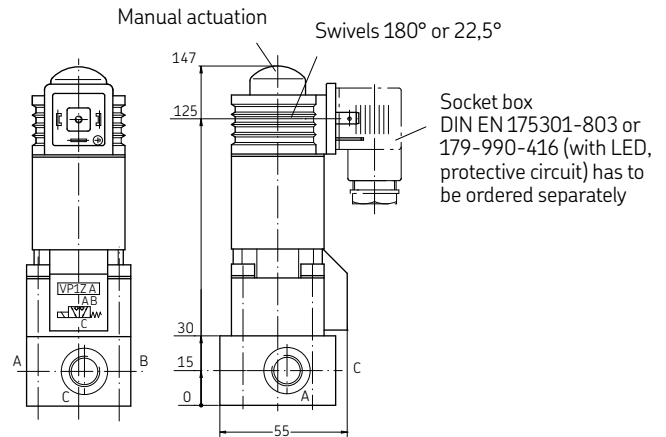
UFZ.0097



Order number	Designation	p max.		Max. temperature		Material	Weight	
		bar	psi	°C	°F		g	lb
161-600-036	BALL VALVE PN 16 G1/4I MS	16	232	90	194	Brass	80	0.18
UFZ.0097	BALL VALVE PN 10 G1/2I MS	10	145	90	194	Brass	150	0.33

Direction of flow optional

Solenoid valves



Order number	Designation	Type	Off Position	Operating voltage	Con- nection	p max.		Weight	
						bar	psi	kg	lb
525-32080-1	WAY VALVE WV-M-W2G-1/2- 24DC	2/2 way valve	normally closed	24 VDC	G 1/2	400	5 800	1,74	3.84
525-32082-1	WAY VALVE WV-M-W2G-1/2-230AC	2/2 way valve	normally closed	230VAC	G 1/2	400	5 800	1,7	3.75
525-32081-1	WAY VALVE WV-M-W2G-1/2-110AC	2/2 way valve	normally closed	110 VAC	G 1/2	400	5 800	1,76	3.88
525-32083-1	WAY VALVE WV-M-W2O-1/2- 24DC	2/2 way valve	normally open	24 VDC	G 1/2	400	5 800	1,76	3.88
525-32084-1	WAY VALVE WV-M-W2O-1/2-230AC	2/2 way valve	normally open	230 VAC	G 1/2	400	5 800	1,69	3.73
525-32098-1	WAY VALVE WV-M-W2O-1/2-110AC	2/2 way valve	normally open	110 VAC	G 1/2	400	5 800	1,81	3.99
525-32085-1	WAY VALVE WV-M-W3 -3/8- 24DC	3/2 way valve	-	24 VDC	G 3/8	400	5 800	1,37	3.02
525-32087-1	WAY VALVE WV-M-W3 -3/8-230AC	3/2 way valve	-	230 VAC	G 3/8	400	5 800	1,3	2.87
525-32086-1	WAY VALVE WV-M-W3 -3/8-110AC	3/2 way valve	-	110 VAC	G 3/8	400	5 800	1,38	3.04
161-110-031+924	WAY VALVE WV-M-W2G-1/4- 24DC	2/2 way valve	normally closed	24 VDC	G 1/4	500	7 250	1,28	2.82
161-120-064+924	WAY VALVE WV-M-W3 -1/4- 24DC	3/2 way valve	-	24 VDC	G 1/4	500	7 250	1,25	2.76

Pressure gauges



Description

Pressure gauges are mechanically operated instruments that visually display the pressure of the connected medium. In lubrication systems, they are used to show the pressure rate of air, oil or grease of either the pump or the pipe system. They are available in various pressure ranges for low-, medium- or high-pressure applications in all kinds of lubrication systems.

The following points must be considered in order to select the correct model:

- Pressure of the medium – the maximum pressure that could occur in the system shall not be higher than 2/3 of the indication range of the pressure range
- Pulsation of the pressure – use of liquid-filled gauges is highly recommended for measuring points with high dynamic pressure loads and areas with vibration
- Corrosive atmosphere – use of stainless steel pressure gauges is highly recommended
- If an electrical signal is desired – use of pressure gauges, including digital pressure indication, is highly recommended

Features and benefits

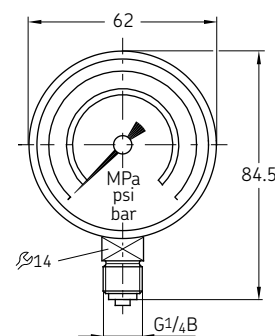
- Visual and digital pump and system pressure monitoring
- Economical, reliable and virtually maintenance-free operation
- Wide range of pressure rates and sizes
- Liquid-filled gauges for dynamic operations available
- Stainless for operation in aggressive atmosphere available

Applications

- All kinds of lubrication systems: low, middle mechanic and plant engineering
- Oil and grease lubrication systems
- Installation at the pump or at the end of the line

Pressure gauges

Standard pressure gauges

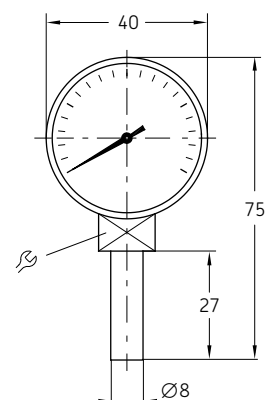


Order number	Designation	Indication range		Material	Weight	
		bar	psi		g	lb
169-101-004	PR.GAUGE D63 0-10 BAR G1/4 ABS	0-10	0-145	ABS housing	96	0.21
169-102-020 ²⁾	PR.GAUGE D63 0-25 BAR G1/4 ABS	0-25	0-360	ABS housing	90	0.20
169-104-020 ²⁾	PR.GAUGE D63 0-40 BAR G1/4 ABS	0-40	0-580	ABS housing	100	0.22
169-106-020 ²⁾	PR.GAUGE D63 0-60 BAR G1/4 ABS	0-60	0-870	ABS housing	83	0.18
169-110-020 ²⁾	PR.GAUGE D63 0-100 BAR G1/4 ABS	0-100	0-1450	ABS housing	90	0.20
169-116-000	PR.GAUGE D63 0-160 BAR G1/4 ABS	0-160	0-2320	ABS housing	94	0.21
169-125-020 ²⁾	PR.GAUGE D63 0-250 BAR G1/4 ABS	0-250	0-3625	ABS housing	84	0.19

Washer, **order No. 248-610.02**, must be ordered separately for use in solderless tube connections acc. to DIN 3862.

²⁾ Associated connecting pieces → page 60

Damped pressure gauges with restrictor



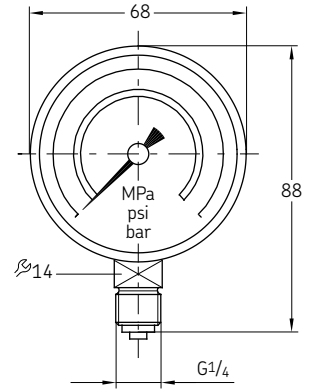
Order number	Designation	Ø	Restrictor	Lubricant	Indication range		Material	Weight	
					bar	psi		g	lb
248-602.25	PR.GAUGE D40 0-10 BAR TUBE 8	4kt 12	-	-	0-10	0-145	Steel housing, black	66	0.15
169-102-506 ¹⁾	PR.GAUGE D40 0-25 BAR TUBE 8	12	0,4	-	0-25	0-360	Steel housing, black	62	0.14
248-602.20	PR.GAUGE D40 0-40 BAR TUBE 8	12	-	Grease	0-40	0-580	Steel housing, black	59	0.13
169-104-008 ¹⁾	PR.GAUGE D40 0-40 BAR TUBE 8	4kt 14	0,4	Oil	0-40	0-580	Steel housing, black	61	0.13
169-106-004	PR.GAUGE D40 0-60 BAR TUBE 8 ABS	4kt 14	-	-	0-60	0-870	ABS housing	60	0.13

Fixed by means of a double-tapered sleeve and socket union (solderless tube connection) in counterbore acc. to DIN 3854/DIN 3862.

¹⁾ damped design

Pressure gauges

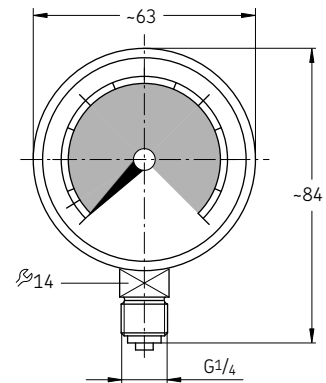
Damped pressure gauges with glycerin filling



Order number	Designation	Mounting position	Indication range		Material	Weight	
			bar	psi		g	lb
169-102-015	PR.GAUGE D68 0- 25 BAR GLYCER (G1/4) VA	vertically	0-25	0-360	Stainless steel housing	210	0.46
169-104-015	PR.GAUGE D68 0- 40 BAR GLYCER (G1/4) VA	vertically	0-40	0-580	Stainless steel housing	200	0.44
169-106-015	PR.GAUGE D68 0- 60 BAR GLYCER (G1/4) VA	vertically	0-60	0-870	Stainless steel housing	200	0.44
169-110-015	PR.GAUGE D68 0-100 BAR GLYCER (G1/4) VA	vertically	0-100	0-1 450	Stainless steel housing	200	0.44
169-125-015	PR.GAUGE D68 0-250 BAR GLYCER (G1/4) VA	vertically	0-250	0-3 625	Stainless steel housing	200	0.44
169-140-001	PR.GAUGE D62 0-400 BAR GLYCER (G1/4) VA	vertically	0-400	0-5 800	Stainless steel housing	220	0.49

Washer, order No. 248-610.02, must be ordered separately for use in solderless tube connections acc. to DIN 3862.

Damped pressure gauges with glycerin filling and visualization in red/green

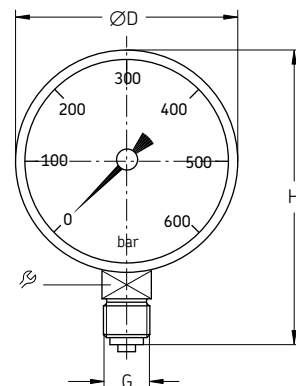


Order number	Designation	Mounting position	Indication range		Material	Weight	
			bar	psi		g	lb
169-101-607	PR.GAUGE D63 0-16 BAR GLYZ. G1/4 VA	vertically	0-16	0-230	Stainless steel housing	166	0.37
169-106-011	PR.GAUGE D63 0-60 BAR GLYZ. G1/4 VA	vertically	0-60	0-870	Stainless steel housing	220	0.49
169-110-010	PR.GAUGE D63 0-100 BAR GLYZ. G1/4 VA	vertically	0-100	0-1 450	Stainless steel housing	174	0.38

Washer, order No. 248-610.02, must be ordered separately for use in solderless tube connections acc. to DIN 3862.

Pressure gauges

High-pressure gauges



Order number	Designation	ØD	G	H	Mounting position	Indication range		Material	Weight	
						bar	psi		g	lb
		mm	mm	mm						
Steel housing, black										
234-13132-7	PR.GAUGE D 63 0- 400 BAR GLYZ.G1/4B BOT	63	G 1/4 bottom	84,5	vertically	0-400	0-5800	Steel housing, black	200	0,44
234-13132-8	PR.GAUGE D 63 0- 400 BAR G1/4	63	G 1/4 bottom	84,5	vertically	0-400	0-5800	Steel housing, black	100	0,22
234-13156-6	PR.GAUGE D 63 0- 600 BAR (G1/4A)	63	G 1/4 bottom	84,5	vertically	0-600	0-8700	Steel housing, black	210	0,46
234-13182-7	PR.GAUGE D 63 0- 600 BAR GLYZ.G1/4B BOT	63	G 1/4 bottom	84,5	vertically	0-600	0-8700	Steel housing, black	200	0,44
234-10396-2	PR.GAUGE D100 0- 400 BAR (G1/2A)	100	G 1/2 bottom	133	vertically	0-400	0-5800	Steel housing, black	601	1,33
234-13101-2	PR.GAUGE D100 0- 600 BAR (R1/2)	100	G 1/2 bottom	133	vertically	0-600	0-8700	Steel housing, black	560	1,23
234-13101-4	PR.GAUGE D100 0- 600 BAR GLYZER	100	G 1/2 bottom	133	vertically	0-600	0-8700	Steel housing, black	860	1,90
Stainless steel housing										
234-10396-9	PR.GAUGE D 63 0- 400 BAR G1/4(BAR/PSI)VA	63	G 1/4 bottom	84,5	vertically	0-400	0-5800	Stainless steel housing	200	0,44
234-13182-8	PR.GAUGE D 63 0- 400BAR G1/4B BACK VA	63	G 1/4 back	63	vertically	0-400	0-5800	Stainless steel housing	220	0,49
234-10898-4	PR.GAUGE D100 0- 400 BAR+PSI GLYZ.1.4404	100	G 1/2 bottom	133	vertically	0-400	0-5800	Stainless steel housing	993	2,19
234-13136-2	PR.GAUGE D100 0- 600 BAR HOUSING VA	100	G 1/2 bottom	133	vertically	0-600	0-8700	Stainless steel housing	600	1,32

Reservoirs



Description

For technical reasons, all reservoirs shown in this catalogue can only be used for oil. Grease reservoirs require additional technical features that make a combination of reservoir and pump necessary. The reservoirs shown are available in either plastic or metal designs. The advantage of the plastic containers is that the oil filling level is clearly visible through the transparent reservoir. Metal reservoirs from 6 liters (1.5 gal) and larger can be equipped with external oil level indicators. It is also possible to monitor the minimum or maximum oil level electrically via float switches. Depending on the oil used, the sealing material (NBR or FPM) should be selected.

Features and benefits

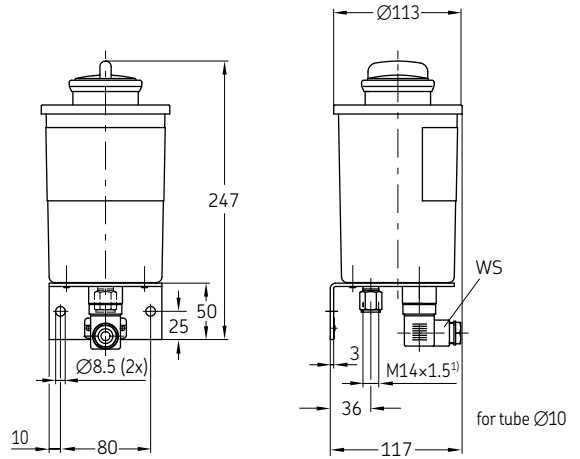
- Available in sizes ranging from 3 litres to 100 litres on request
- All reservoirs are equipped with a screen at the filler socket (exception: 1 litre tank screen at the outlet), which reliably prevents foreign particles from entering
- Simple and proven design for use in all kinds of automatic oil lubrication systems
- Virtually leakage-free storage of oil
- Easy manual or digital fill-level monitoring

Applications

- All automatic oil lubrication systems
- Pulp and paper industry
- Automobile presses
- Food and beverage
- Automation
- Printing
- Metals
- Etc.

Reservoirs

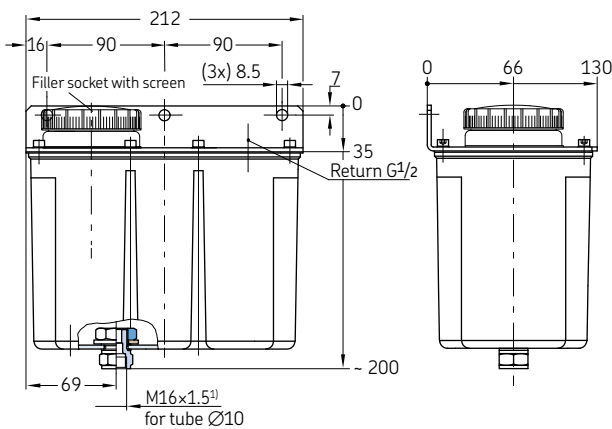
Plastic reservoirs



1) Ports tapped for solderless tube connection

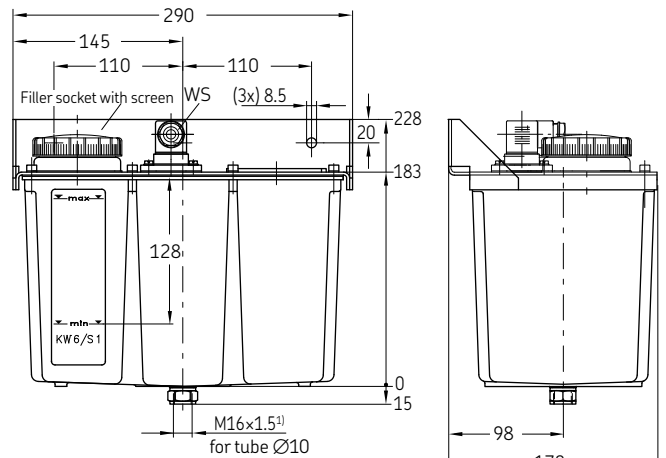
Order number	Designation	Reservoir Capacity		Level indicator WS	Type of contact	Seal material	Weight	
		l	gal.				kg	lb
K1	OIL RESERVOIR ASSY. KF 1YN	1	0.26	–	–	NBR	0,70	1.54
KW1	OIL RESERVOIR ASSY. KF 1YL (NO)	1	0.26	Min. filling level	NO	NBR	0,76	1.68
KW1-S2	OIL RESERVOIR ASSY. KF 1YL (NC)	1	0.26	Min. filling level	NC	NBR	0,80	1.76

Plastic reservoir, 3 liter



1) Ports tapped for solderless tube connection

Plastic reservoir, 6 liter

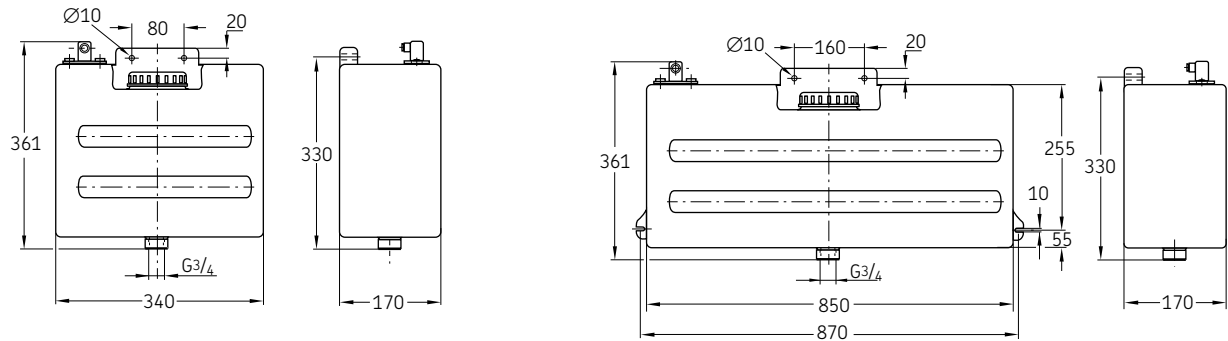


1) Ports tapped for solderless tube connection

Order number	Designation	Reservoir Capacity		Level indicator WS	Type of contact	Seal material	Weight	
		l	gal.				kg	lb
K3-S2	OIL RESERVOIR ASSY. KF 3YN	3	0.79	–	–	NBR	1,34	2.95
KW3-S1	OIL RESERVOIR ASSY. KF 3YL (SPDT)	3	0.79	Min. filling level	Changeover	NBR	1,63	3.59
K6-S5	OIL RESERVOIR ASSY. KF 6YN	6	1.58	–	–	NBR	2,28	5.04
K6-S6	OIL RESERVOIR ASSY. KF 6YL (SPDT)	6	1.58	–	–	NBR	2,28	5.04
KW6-S1	OIL RESERVOIR ASSY. KF 6YLP (NC)	6	1.58	Min. filling level	Changeover	NBR	2,58	5.70
KW6-S2	OIL RESERVOIR ASSY. KF 6YL (SPDT)	6	1.58	Min. filling with advance warning	2NCs	NBR	2,50	5.51
KW6-S81	OIL RESERVOIR ASSY. KF 6YL (SPDT)	6	1.58	Min. filling level	Changeover	FPM	2,58	5.70

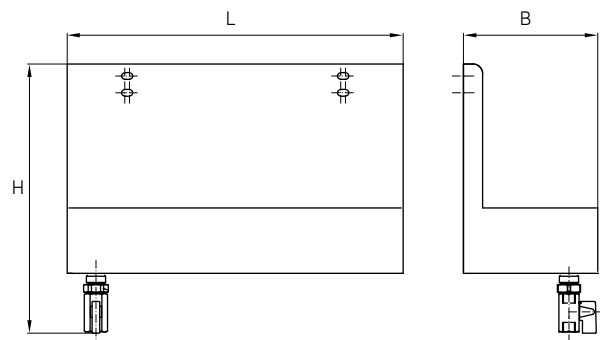
Reservoirs

Plastic reservoirs



Order number	Designation	Reservoir Capacity		Level indicator WS	Type of contact	Weight	
		l	gal.			kg	lb
651-28691-1	OIL RESERVOIR PL 13YL F.PMA	13	2.86	Minimum filling level	Changeover	2,2	4.85
651-29124-1	OIL RESERVOIR PL 13YN F.PMA	13	2.86	–	–	2	4.40
651-28685-1	OIL RESERVOIR PL 36YL F.PMA	36	7.9	Minimum filling level	Changeover	4,251	9.37

Oil trough with shut-off valve

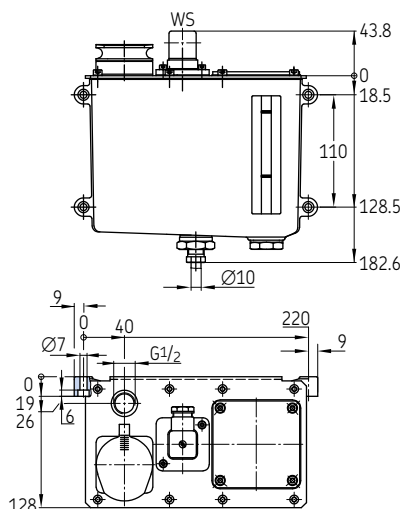


Order number	Designation	Reservoir Capacity				
		L	B	H		
		l	gal.			
B3.U21	OIL TROUGH 3L	3	0,792	350	280	140
B7.U271	OIL TROUGH 6L	6	1,585	400	380	190

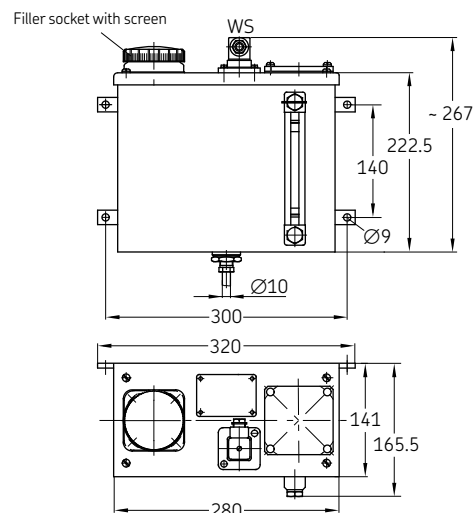
Reservoirs

Metal reservoirs

Metal reservoir, 3 liter



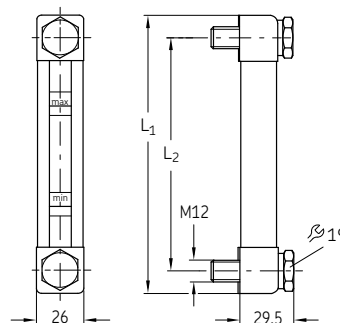
Metal reservoir, 6 liter



Order number	Designation	Reservoir Capacity		Level indicator WS	Type of contact	Seal material	Weight	
		l	gal.				kg	lb
BW3-2-S1	OIL RESERVOIR ASSY. ST 3YL	3	0.79	Min. filling level	Changeover	NBR	2,24	4.94
B7	OIL RESERVOIR ASSY. ST 6YN	6	1.58	-	-	NBR	4,9	10.80
BW7-S6	OIL RESERVOIR ASSY. ST 6YBN	6	1.58	Min. and max. filling level	2 NCs	NBR	5,12	11.29
BW7-S7	OIL RESERVOIR ASSY. ST 6YLP (2xNC)	6	1.58	Min. filling level with advance warning	2 NCs	NBR	5,2	11.47
BW7-S8	OIL RESERVOIR ASSY. ST 6YL (SPDT)	6	1.58	Min. filling level	Changeover	FPM	5,11	11.27
BW7-S11	OIL RESERVOIR ASSY. ST 6YP (2xSPDT)	6	1.58	Min. filling level with advance warning	1 NO, 1 NC	NBR	4,97	10.96
BW7-S14	OIL RESERVOIR ASSY. ST 6YP (NC/NO))	6	1.58	Min. filling level with advance warning	1 NO, 1 NC	NBR	5,2	11,47
162-310-005	OIL RESERVOIR ASSY. ST 6YL (SPDT)	6	1.58	Min. filling level	Changeover	NBR	4,96	10,94

Oil level gauges for metal reservoirs

Order number	Designation	Reservoir Capacity		Weight			
		L ₁	L ₂	Liters	gal.	g	lb
		mm	mm				
995-003-044	OIL LEVEL GAUGE L=127MM	152	127	6	1.58	146	0.32
995-003-040	OIL LEVEL GAUGE L=165MM	190	165	6	1.58	158	0.35
995-003-041	OIL LEVEL GAUGE L=190MM	215	190	15 and 30	3.96 and 7.92	170	0.37
995-003-042	OIL LEVEL GAUGE L=254MM	279	254	50	13.21	190	0.42
995-003-043	OIL LEVEL GAUGE L=280MM	305	280	100	26.42	199	0.44



Type: NBR, FKM (FPM) on request

Lubricating nipples



Description

Grease nipples provide a standardized connection to the grease gun and are therefore an important part for servicing and maintaining bearings. They also protect the lubrication point from external influences such as dirt and water.

Features and benefits

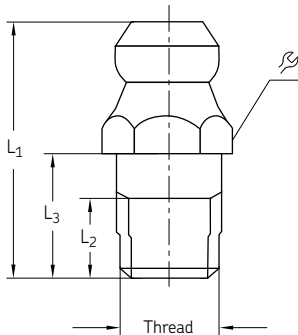
- Our standard program includes the most common hydraulic and flat grease nipples according to DIN 74412 and DIN 3404
- Available in galvanized steel or stainless steel

Applications

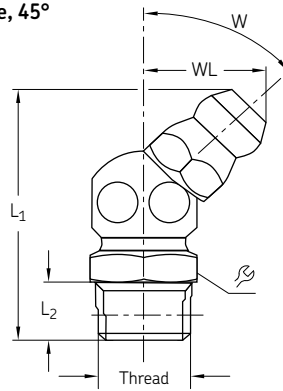
- Linear guides
- Bearings, bearing blocks
- Drive shafts, cardan shafts
- Axles

Hydraulic grease nipples according to DIN 71412

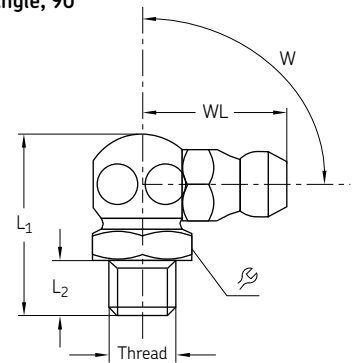
Straight



Angle, 45°

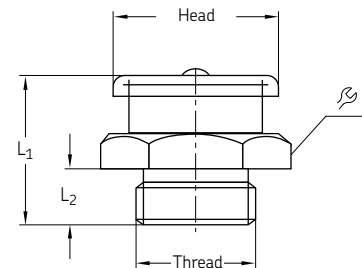


Angle, 90°



Order number	Designation	Form	Thread	Material	Operating pressure max.		Weight (100 pcs)		
					bar	psi	g	lb	
mm									
Steel, galvanized									
251-14040-1	HYDRAULIC LUBR.FITT. ST AR 1/8 Z	Straight	R 1/8	11	Steel, galvanized	350	5 080	600	1.32
996-001-890	HYDRAULIC LUBR.FITT. ST AM 10X1,0Z	Straight	M10x1	11	Steel, galvanized	350	5 080	500	1.10
251-14109-3	HYDRAULIC LUBR.FITT. ST BR 1/4 Z	Angle, 45°	R 1/4	14	Steel, galvanized	350	5 080	1 800	3.97
251-14045-1	HYDRAULIC LUBR.FITT. ST BR 1/8 Z	Angle, 45°	R 1/8	11	Steel, galvanized	350	5 080	1 200	2.65
251-14040-2	HYDRAULIC LUBR.FITT. ST CR 1/8 Z	Angle, 90°	R 1/8	11	Steel, galvanized	350	5 080	1 200	2.65
251-14044-8	HYDRAULIC LUBR.FITT. ST CR 1/4 Z	Angle, 90°	R 1/4	14	Steel, galvanized	350	5 080	1 200	2.65
Stainless steel									
251-14073-9	HYDR.LUBR.FITT.+CHECK VALVE A2 1/8	Straight	R 1/8	11	Stainless steel	400	5 800	800	1.76
251-14109-2	HYDRAULIC LUBR.FITT. A2 AR 1/8 Z	Straight	R 1/8	11	Stainless steel	350	5 080	600	1.32
251-10309-1	HYDRAULIC LUBR.FITT. A2 AR 1/4 Z	Straight	R 1/4	14	Stainless steel	350	5 080	1 200	2.65
251-10780-2	HYDRAULIC LUBR.FITT. A2 AM 10X1,0Z	Straight	M10x1	11	Stainless steel	350	5 080	500	1.10
251-14063-4	HYDRAULIC LUBR.FITT. A2 BR 1/8 Z	Angle, 45°	R 1/8	11	Stainless steel	350	5 080	1 200	2.65
251-14063-9	HYDRAULIC LUBR.FITT. A2 CR 1/8 Z	Angle, 90°	R 1/8	11	Stainless steel	350	5 080	1 200	2.65

Button-head grease nipples according DIN 3404

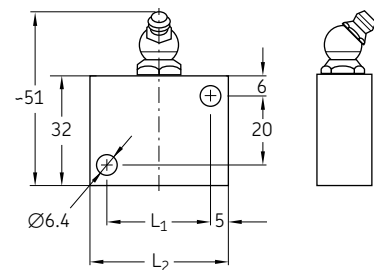


Order number	Designation	Head Ø	Thread	Material	Operating pressure max.		Weight (100 pcs)		
					bar	psi	g	lb	
mm									
251-14040-5	BUTTON HEAD LUBR.FITT.ST AG 1/8-16Z	16	G 1/8	17	Steel, galvanized	350	5 800	1 700	3.75
251-14040-4	BUTTON HEAD LUBR.FITT.ST AG 1/4-16Z	16	G 1/4	17	Steel, galvanized	350	5 800	1 900	4.19
251-10309-2	BUTTON HEAD LUBR.FITT.ST AG 3/8-16Z	16	G 3/8	17	Steel, galvanized	350	5 800	2 000	4.41
251-14063-1	BUTTON HEAD LUBR.FITT.ST AG 1/4-22Z	22	G 1/4	22	Steel, galvanized	350	5 800	4 000	8.82
251-14040-3	BUTTON HEAD LUBR.FITT.ST AG 3/8-22Z	22	G 3/8	22	Steel, galvanized	350	5 800	4 000	8.82
251-14045-8	BUTTON HEAD LUBR.FITT.ST AM10X1,0-16Z	16	M10x1	22	Steel, galvanized	350	5 800	1 700	3.75

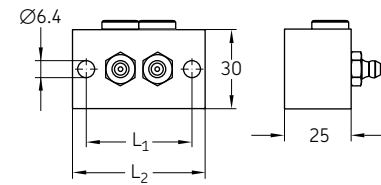
Lubricating nipples

Lubrication fitting block

532-32248-1



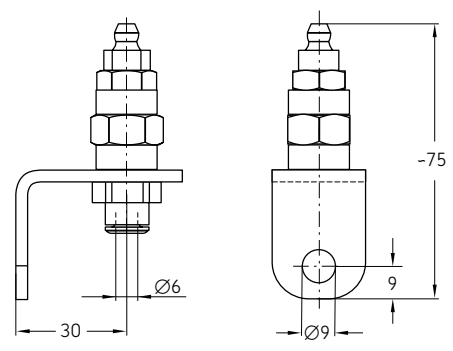
532-32454-1



Order number	Designation	Ports for lubricating nipples	L ₁	L ₂	Material	Operating pressure max.		Weight (100 pcs)	
			mm	mm		bar	psi	g	lb
532-32248-1	LUBR.FITT.BLOCK W.1 FITT. R1/8 45 DEGREE	1	30	40	Steel, galvanized	400	5 800	160	0.35
504-37184-2	LUBR.FITT.BLOCK W.1 FITT. R1/4" 90 DEGREE	1	30	40	Steel, galvanized	400	5 800	217	0.48
504-37210-1	LUBR.FITT.BLOCK 2 FITT. R1/8	2	40	50	Steel, galvanized	400	5 800	132	0.29
504-37211-1	LUBR.FITT.BLOCK 3 FITT. R1/8	3	60	70	Steel, galvanized	400	5 800	177	0.39
532-32454-1	LUBR.FITT.BLOCK W. 2 FITT. R1/8	2	40	50	Steel, galvanized	400	5 800	331	0.73
432-70024-1	LUBR.FITT.BLOCK 2 CONN.R1/8 HORIZ./VERTIC	2 ¹⁾	40	50	Steel, galvanized	400	5 800	236	0.52

¹⁾ 2 lubricating nipple connections; corresponding tapered grease nipple order no. 251-14045-1

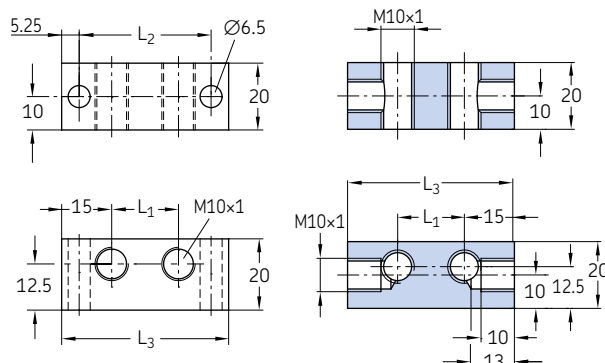
Holder with lubricating nipple and fitting



Order number	Designation	Ports for lubricating nipples	L ₁	Material	Operating pressure max.		Weight (100 pcs)	
			mm		bar	psi	g	lb
532-32131-1	HOLDER W.HYDR.LUBR.FITTING	1	40	Steel, galvanized	400	5 800	93	0.21

Lubricating nipples

Lubrication nipple manifolds



Order number	Designation	L ₁	L ₂	L ₃	Number of threaded holes	Material	Operating pressure max.		Weight (100 pcs)	
							bar	psi	g	lb
871-340-006	LUBRICATION BAR 1x M10x1	–	19,5	30	1	Steel, galvanized	400	5 800	72	0.16
871-340-008 ¹⁾	LUBRICATION BAR 2x M10x1	–	19,5	30	1	Steel, galvanized	400	5 800	70	0.15
871-360-006	LUBRICATION BAR 2x M10x1	20	39,5	50	2	Steel, galvanized	400	5 800	120	0.26
871-360-008 ¹⁾	LUBRICATION BAR 4x M10x1	20	39,5	50	2	Steel, galvanized	400	5 800	120	0.26
871-380-006	LUBRICATION BAR VA 3x M10x1	40	59,5	70	3	Stainless steel	400	5 800	180	0.40
871-390-020	LUBRICATION BAR 10x M10x1	20	199,5	210	10	Steel, galvanized	400	5 800	530	1.17
871-390-023	LUBRICATION BAR 13x M10x1	20	200	270	13	Steel, galvanized	400	5 800	685	1.51

¹⁾ Nipple connection; corresponding tapered grease nipple with valve, order no. 996-001-890

Lubricating nipple box

Thread	Type	Quantity
M6x1	straight	30
M8x1	straight	20
M10x1	straight	10
G 1/8	straight	10
M6x1	45°	5
M8x1	45°	10
M10x1	45°	5
G 1/8	45°	5
M6x1	90°	5
M8x1	90°	20
M10x1	90°	5
G 1/8	90°	5



Order number	Designation	Material	Operating pressure max.	
			bar	psi
LAGN 120	LUBRICATION NIPPLE BOX LAGN 120	Steel, zinc plated, hardened and blue chromed	400	5 800



Description

These easy-to-service lubricant filters consist of a housing and an integrated screen. Grease filters have pressure ratings up to 400 bar (5800 psi) and allow flow rates up to 24 dm³/hour (6.3 US gal/hour), oil and fluid grease filters allow 2 l/min.

Galvanized and chromate-treated lubricant filter units are available with hydraulic lubrication fittings for lubrication pump reservoir filling. They are also suitable for upstream installation in lubrication systems with divider valves and for outlet connection with outside diameters of 6 mm.

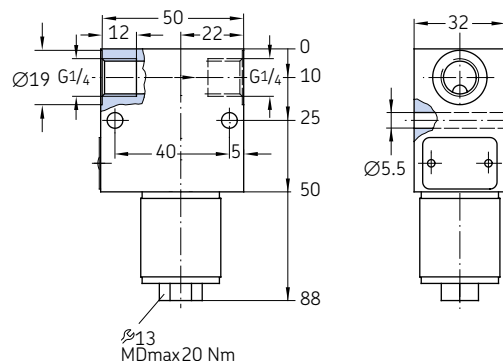
Features and benefits

- Prevents system or component failures and extends system life to significant reduction of solids
- Economical, reliable and maintenance-friendly operation
- Compact and modular design mountable directly into pipes
- Wide range of volumetric flow levels and grades of filtration
- Optimized service handling by replacing of filter elements only
- Dirt monitoring of filter elements as an option
- Oil, fluid grease and grease filters

Applications

- General mechanic and plant engineering
- Ship building and offshore industry
- Pulp and paper industry
- Heavy industry

Screen filters for oil and fluid grease



Order number	Designation	Lubricant	Filter rating µm	Connection thread	Material	Operating pressure max.		Weight	
						bar	psi	kg	lb
213-870	FILTER	FLUID GREASE NLGI CLASS 000, 00 63		G 1/4	Aluminum	60	870	0,31	0,68
213-870F	FILTER	FLUID GREASE NLGI CLASS 000, 00 160		G 1/4	Aluminum	60	870	0,31	0,68
213-880	FILTER	OIL 25		G 1/4	Aluminum	60	870	0,31	0,68
213-930F	FILTER	FLUID GREASE NLGI CLASS 000, 00 160		G 1/4	Aluminum	60	870	1,27	2,80

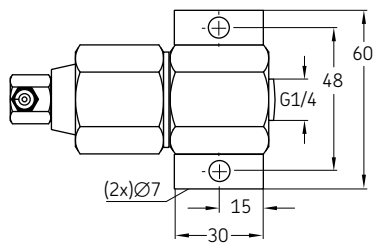
Filter elements for oil and fluid grease filters



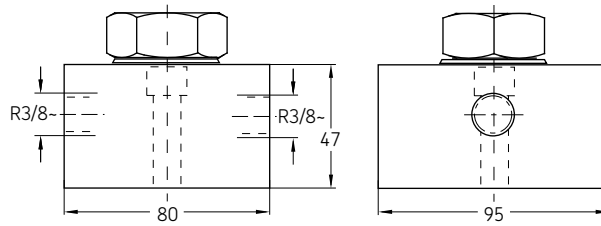
Order number	Designation	Lubricant	Filter rating µm	Operating pressure max.	
				bar	psi
213-870.U1	FILTER ELEMENT FOR 213-870	Fluid grease NLGI class 000, 00	63	60	870
213-870.U2	FILTER ELEMENT FOR 213-870F	Fluid grease NLGI class 000, 00	160	60	870
213-880.U1	FILTER ELEMENT FOR 213-880	Oil	25	60	870
213-870.U2	FILTER ELEMENT FOR 213-930F	Fluid grease NLGI class 000, 00	160	60	870

Screen filters for grease

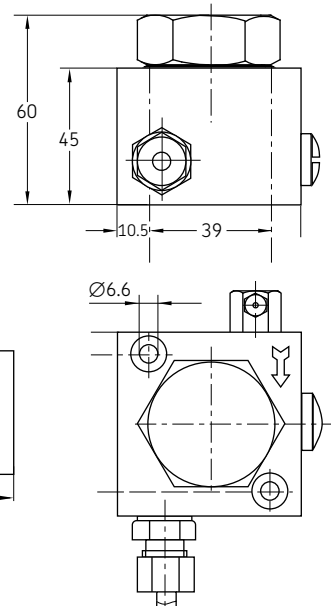
628-36062-3



628-25531-2

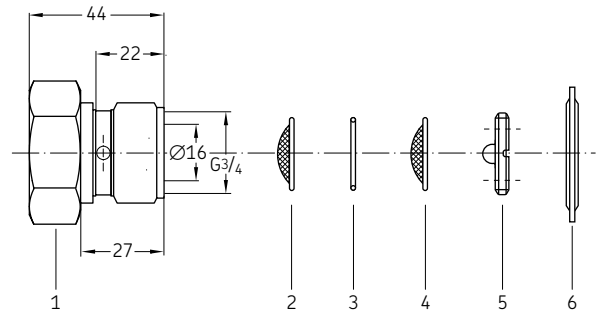


528-36045-6



Order number	Designation	Tube ØD	Thread	Material	Operating pressure max.		Weight	
					bar	psi	g	lb
628-36062-3	Type SF 1-G 1/4 + 90° Nipple	-	G 1/4	Steel, galvanized	350	5 080	540	1.19
628-26452-2	Type SF 1-G 1/4	-	G 1/4	Steel, galvanized	350	5 080	440	0.97
428-21544-1	Coarse strainer (replacement part)	-	-	Steel, galvanized	350	5 080	2	0.005
528-36045-6	Filter unit with nipple and tube connection	6	-	Steel, galvanized	350	5 080	1 400	3.09
528-31341-3	Filter unit G 1/4 female	-	G 1/4	Steel, galvanized	350	5 080	1 280	2.82
628-25531-2	Filter unit G 3/8 female	-	G 3/8	Steel, galvanized	350	5 080	2 470	5.45

Filter elements for grease filter units



Order number	Designation	Item number	Material	Operating pressure max.		Weight	
				bar	psi	g	lb
428-21543-2	Hollow screw	1	Steel, galvanized	350	5 080	284	0.63
428-21544-1	Coarse strainer, fineness of filtration 410 µm	2	Brass	350	5 080	2	0.005
428-21546-2	Spacing ring	3	Spring steel	350	5 080	2	0.005
428-21545-1	Fine strainer, fineness of filtration 270 µm	4	Brass	350	5 080	2	0.005
303-17546-1	Threaded ring	5	Steel	350	5 080	12	0.03
220-12238-3	Usit sealing ring	6	NBR	350	5 080	7	0.02

Brushes



Description

Brush applicators are an easy, inexpensive and reliable solution for many lubrication applications. By using brush chain lubrication, the entire conveyor chain is lubricated, not just the joints of the chain links. Standard lubricating oil, such as highly viscous chain oil, can be applied with brushes as can fluid grease.

Features and benefits

- Lubrication with a brush for chain speeds up to 6 m / min
- Switching off and on individual chain lubrication systems possible
- Accurate dosage, regardless of oil viscosity and flow resistance
- High working pressure of the lubrication metering device enables targeted oil emissions
- Lubrication without the addition of costly compressed air

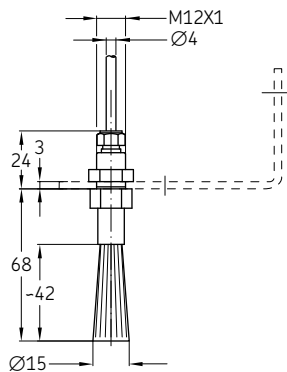
Applications

- Ovens, boilers, dryers
- Freezers
- Conveyors for sorting, cleaning, cooking and pasteurizing fruits and vegetables
- Dryers, smokers and conveyors for meat processing
- Conveyors for material transport

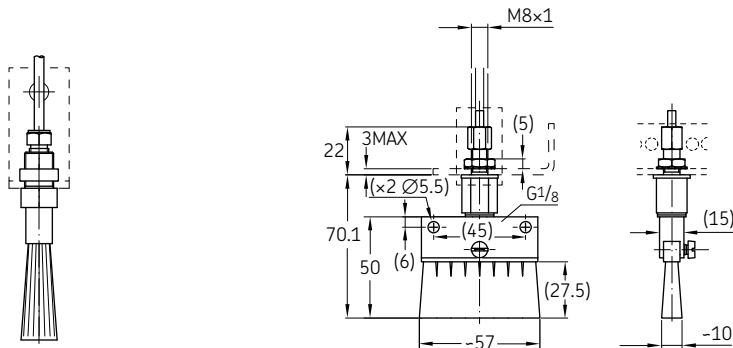
Brushes

UC, 233, 068874

UC-1066-10

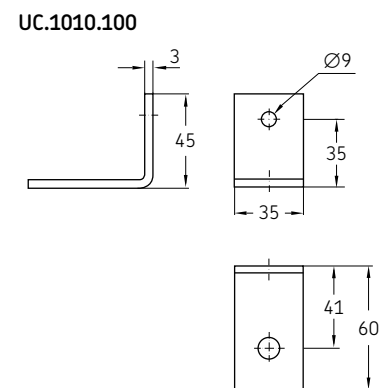
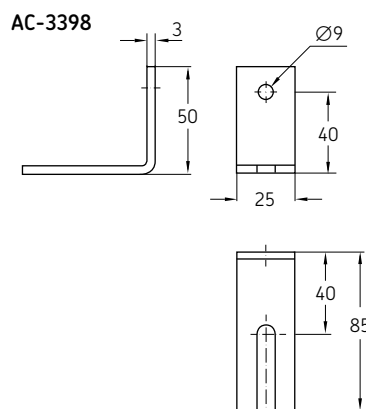
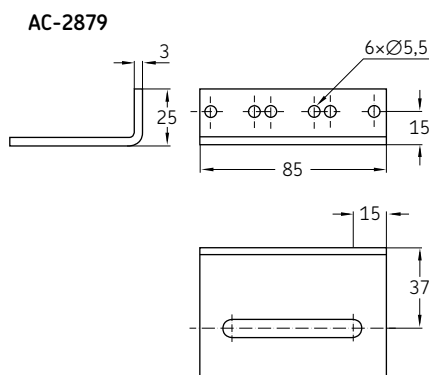


UC-1066-14



Order number	Designation	Shape	Tube ØD	Shape size	Temperature		Material	Fixation Weight		
					°C	°F		mm	g	lb
UC-1066-01	OIL BRUSH BRISTLE, 55x16	Rectangle	4 mm	55x16	10 to 60	50 to 140	Bristle	Ø8,5	110	0.24
UC-1066-02	OIL BRUSH MS, 55x16	Rectangle	4 mm	55x16	10 to 200	50 to 392	Brass	Ø8,5	160	0.35
UC-1066-03	OIL BRUSH BRISTLE, D30	Circle	4 mm	Ø30	10 to 60	50 to 140	Bristle	Ø19	85	0.19
UC-1066-04	OIL BRUSH BRISTLE, D15	Circle	4 mm	Ø15	10 to 60	50 to 140	Bristle	Ø12,5	45	0.10
UC-1066-05	OIL BRUSH PA6, D15	Circle	4 mm	Ø15	10 to 80	50 to 176	Polyamide 6.6	Ø12,5	45	0.10
UC-1066-06	OIL BRUSH PA6, 55x16	Rectangle	4 mm	55x16	10 to 80	50 to 176	Polyamide 6.6	Ø12,5	45	0.10
UC-1066-10	OIL BRUSH MS, D15	Circle	4 mm	Ø15	10 to 200	50 to 392	Brass	-	59	0.13
UC-1066-14	OIL BRUSH MS, 55x16	Rectangle	4 mm	55x16	10 to 300	50 to 572	Brass	-	-	-
233-14419-1	OIL BRUSH BZ MODEL SPF 57 G 1/8	Rectangle	G 1/8	55x16	10 to 200	50 to 392	Brass	2xØ5,5	62	0.14
233-13651-1	OIL BRUSH MS L=CA 47MM R1/8	Circle	R 1/8	Ø30	10 to 200	50 to 392	Brass	Ø20	20	0.04
233-13651-6	OIL BRUSH V2A MODEL SPR16/30/53 G 1/8	Circle	G 1/8	Ø30	10 to 200	50 to 392	Stainless steel	Ø20	35	0.08
068874	BRUSH	Circle	1/8 NPT	Ø15	10 to 80	50 to 176	Nylon	Ø20	20	0.04

Support for brushes



Order number	Designation	Suitable for brush	Temperature		Material
			°C	°F	
AC-2879	SUPPRT FOR BRUSH	UC-1066-01, -02, -06, -14	10 to 80	50 to 176	Steel
AC-3398	SUPPRT FOR BRUSH	UC-1066-04, -05, -10	10 to 80	50 to 176	Steel
UC.1010.100	SUPPRT FOR BRUSH	UC-1066-03	10 to 80	50 to 176	Steel



Description

The tools shown in the following chapter considerably improve and professionalize assembly, maintenance and testing work on lubrication systems.

- Hand-operated bending tools are available for bending steel pipes in the outer diameters of 4, 6, 8, 10 mm; machine-operated bending devices should be used for larger diameters or quantities
- Claw groove tool can be used to cut the metal pipe to length in one step and to produce the exact geometric shape of the claw groove; a claw groove is necessary for the three O-ring connection fittings
- The hand lever grease gun can be optimally used for functional testing and pressure testing of small central lubrication systems (preferably progressive systems) and progressive metering devices; it is equipped with:
 - High-pressure hose 1 m long
 - Glycerin damped manometer 0–400 bar, 63 mm diameter
 - Union nut and cutting ring for connection to cutting ring fittings for pipe \varnothing 6 mm

Features and benefits

- Simple and proven design for use with all lubrication systems
- Manual tools, no additional energy source required
- Professional tools to achieve the right quality result

Applications

- Lubrication system installation
- Lubrication system startup
- Lubrication system maintenance

Pipe cutter



Description

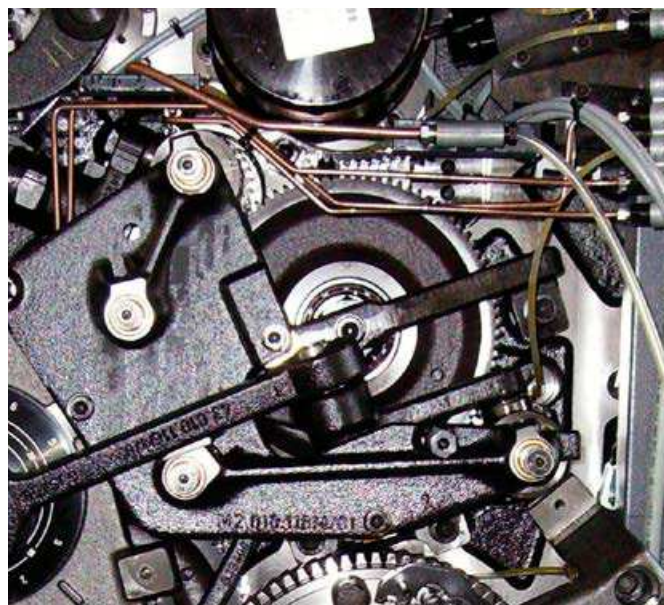
This manual pipe cutter is particularly suitable for pipes made of copper, brass, light metal and hard plastic, as well as for steel and stainless steel pipes with outside diameters from 3 to 35 mm and a maximum cutting depth of 2.5 mm.

Features and benefits

- Optimal hold of the tube when cutting with two guide rollers
- Combines accuracy with ease of use
- Optimal size, light weight

Applications

- Metal and plastic forming machinery
- Construction machinery
- Agriculture, automation
- Printing



Technical data

Function	manual tube cutter
Material	steel, metal, plastic
Dimensions	145 x 58 x 45 mm 5.70 x 2.28 x 1.77 in

Order information

Order number	Designation	Tube		Weight	
		Ø mm	g	lb	
223-10540-1	STEEL PIPE CUTTER	3 - 35	356	0.78	
223-10540-2	CUTTING COG SR153	3 - 35	6	0.01	

Tools

Claw groove tool



Description

The manual claw groove tool is suitable for hardened copper, brass, steel and stainless steel tubes with diameters of 4, 6, 8 and 10 mm. It allows the creation of claw grooves on metal pipes that are needed for use with SKF quick connectors.

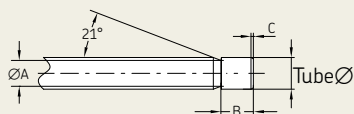
Features and benefits

- One compact tool for both cutting and grooving
- Combines accuracy with ease of use
- Optimal size, light weight

Applications

- Metal and plastic forming machinery
- Construction machinery
- Agriculture, automation
- Printing

Claw grooves



For the use of SKF quick connector fittings, a claw groove is required at the end of the pipe.



Technical data

Function	manual claw groove tool
Material	steel, metal, plastic
Dimensions	154 × 50 × 50 mm 6.06 × 1.96 × 1.96 in

Order information

Order number	Designation	Tube	Weight	
			Ø mm	g
169-000-336	Pipe cutter 4 mm	4	345	0.76
169-000-337	Pipe cutter 6 mm	6	344	0.76
169-000-338	Pipe cutter 8 mm	8	349	0.77
844-330-006	Cutting ring 4 mm	4	20	0.044
844-330-007	Cutting ring 6 mm	6	21	0.046
844-330-007	Cutting ring 8 mm	8	20	0.044

Claw groove information

Tube	A	B	C
Ø mm	mm	mm	mm
4	3,1	5	0,3 ... 0,7
6	4,9	6,2	0,4 ... 0,9
8	6,9	6,2	0,5 ... 0,9

1) Tolerances of $\pm 0,3$ mm have to be regarded.

2) Tolerances of $\pm 0,2$ mm to be regarded.

Tube bender



Description

The easy-to-use manual tube bender is designed for pipe diameters of 6, 8 and 10 mm and has a bending radius range from 1–180° with a visible, marked scale featuring 15° steps. The bender is suitable for use with hardened copper, steel and stainless steel tubes.

Features and benefits

- Designed for bending hardened copper, steel and stainless steel
- Provides measurements in inches and millimeters
- Combines accuracy with ease of use
- Optimal size, light weight
- Includes oil-absorbing shoe

Applications

- Metal and plastic forming machinery
- Construction machinery
- Textile machinery
- Agriculture
- Automation
- Printing

Technical data

Function	manual tube bender
Material	steel, metal, plastic
Bending radius	1–180°
Scale	15° steps
Length	260–370 mm 10.23–14.56 in

Order information

Order number	Designation	Tube	Weight	
			kg	lb
		Ø mm		
223-13700-8	Tube bender	6	0,7	1.54
223-13700-9	Tube bender	8	1,3	2.86
223-13700-7	Tube bender	10	1,18	2.60

Tube bending fix



Description

Designed for installation on a workbench, the manual tube bending fix is suitable for hardened copper, steel and stainless steel tubes with diameters of 4, 6, 8 and 10 mm. Its bending radius range is 1-180°.

Features and benefits

- One compact tool for workbench assembly with exchangeable bending disks
- Combines accuracy with ease of use
- Optimal size, light weight

Applications

- Metal and plastic forming machinery
- Construction machinery
- Textile machinery
- Agriculture
- Automation
- Printing

Technical data

Function	manual tube bending fix
Material	steel, metal, plastic
Bending radius	1-270°

Order information

Order number	Designation	Tube Ø mm	Weight	
			kg	lb
248-803.20	Tube bending fix	4, 6, 8, 10	1,53	3.37
248-803.17	Bending disk	12 (special grooved disk) ¹⁾	0,378	0.83
248-803.16	Bending disk	4 (retro fitting set) ²⁾	0,093	0.21

¹⁾ To bend pipes with 12 mm diameter, the special grooved disk 248-803.17 must be ordered in addition to pipe bending device 248-803.20.

²⁾ Retro fitting set with grooved disk for older pipe bending devices 248-803.20.

Hose cutter



Description

This manual hose cutter is particularly suitable for tubes and hoses made of plastic and rubber, including tubes with thin metal layers. It cuts tubes with outside diameters up to 12,5 mm.

Features and benefits

- Combines accuracy with ease of use
- Highly resistant against stress and flexural vibrations
- Small size, light weight

Applications

- Metal and plastic forming machinery
- Construction machinery
- General industry
- Agriculture
- Printing

Technical data

Function	manual hose cutter
Material	steel, metal
Dimensions	175 × 115 × 10 mm 6.88 × 4.52 × 0.39 in

Order information

Order number	Designation	Tube
		Ø mm
226-12508-5	HOSE CUTTER	1-12,5
226-13095-7	HOSE CUTTER REPLACEMENT BLADES	1-12,5

Tools

Grease pump set for pressure and function check



Description

This manual grease pump set for pressure and function check is a perfect tool for lubrication system installation, maintenance or troubleshooting existing systems. Its integrated pressure gauge, hose and fitting enable accurate system function check and help to identify system leaks as well as system blockages. The set includes two different connection options: a hydraulic coupler for grease nipple, and a fitting for connection of tube $\varnothing 6$ mm.

Features and benefits

- Combines accuracy with ease of use
- Set contains a wide range of fittings
- Robust and reliable tool
- Small size, light weight

Applications

- Metal and plastic forming machinery
- Construction machinery
- General industry
- Agriculture
- Printing



Technical data

Function	grease pump set for pressure and function check
Connections	hydraulic coupler for grease nipple, or fitting for connection of tube $\varnothing 6$ mm
Material	steel, metal

Order information

Order number	Designation
--------------	-------------

604-36879-1	PRESSURE AND FUNCTION TESTING SET
-------------	-----------------------------------

Drum plug wrench



Description

The drum plug wrench was developed to simplify the opening and closing of caps and plugs on fluid drums. The model 5841 wrench eliminates the need for cumbersome makeshift tools, such as screwdrivers and hammers. Constructed of safe, non-sparking cast aluminum, the drum plug wrench features a comfortable, textured grip. This cost-effective wrench is suitable for agriculture, construction, industrial, fleet maintenance and vehicle service applications – anywhere that fluid drums are used. It is compatible with standard metal and plastic caps or plugs on 60 l (16 gal) and 200 l (55 gal) drums.

Features and benefits

- Suitable for common cap types – both plastic and metal
- Non-sparking, non-corrosive aluminum construction
- Saves time and effort when loosening and tightening plugs and caps
- Fits large and small caps
- Cost-effective solution
- Simple to use

Applications

- Caps or plugs on 60 l (16 gal) and 200 l (55 gal) drums

Technical data

Function	drum plug wrench
Application	60 l (16 gal) and 200 l (55 gal) drums
Material	aluminum
Wrench	3/4

Order information

Order number	Designation
005841	DRUM PLUG WRENCH

Socket wrench insert for elbows



Description

This socket wrench insert for elbow fitting mounting allows quick and clean system installation work, especially in machines or in facilities where lubrication lines have to run around many corners and barriers.

Features and benefits

- Combines accuracy with ease of use
- Highly resistant against stress and flexural vibrations
- Small size, light weight

Applications

- Metal and plastic forming machinery
- Construction machinery
- General industry
- Agriculture
- Printing

Technical data

Function	socket wrench insert
Application	elbows with max. width of 11 mm
Material	tool steel
Wrench	1/4
Dimensions	Ø24 mm, height 20 mm

Order information

Order number Designation

917-877 SOCKET WRENCH INSERT FOR ELBOWS

Mounting stud for hose couplings



Description

The mounting stud is an important tool for the self-assembly of threaded joints of high-pressure hoses. With the aid of the stud, it is possible to mount the threaded sleeve in the correct position in the high-pressure hose. This is important because incorrectly mounted sleeves can cause the hose to burst or couplings not to seal.

Features and benefits

- Simple mounting without complex measuring with caliper
- Avoids malfunctions in the central lubrication system due to blocked or burst hose lines
- Avoids errors during hose assembly

Applications

- Hose mounting for nominal diameter 6 mm

Technical data

Function	mounting stud
Hose type	ND 6 mm
Immersion depth	11 mm
Material	galvanized steel
Weight	20 g; 0.05 lbs
Dimensions	Ø10 mm, Ø6 mm, 40 mm

Order information

Order number Designation

432-23077-1 MOUNTING STUD

Refill pumps



Description

Filling pumps make it easier to top up lubricants in reservoirs of automatic lubrication pumps. By using original barrels, hoses and couplings, it is ensured that no dirt gets into the reservoir during the filling process. Contaminated lubricants that enter the reservoir during manual filling via the open reservoir lid are the greatest risk of malfunctions in a centralized lubrication system.

Depending on the desired degree of automation, the filling pumps can be supplied with manual, compressed air or electric drive.

For longer transport distances, the use of a filling pump on a trolley is recommended.

Features and benefits

- Improved maintenance of all lubrication systems
- Easy-to-use, application-optimized product design
- Quick and professional refilling with contamination prevention, compared to manual grease refilling
- Optimized consumption of refilling barrel lubricants due to use of perfectly suited barrel follower plates
- Wide range of filling pumps for all common reservoir sizes

Applications

- General mechanic and plant engineering
- Agriculture and forestry industry
- Construction machinery
- Pulp and paper industry
- Renewables industry
- Oil and gas industry
- On-road vehicles
- Heavy industry
- Etc.

PowerLuber



Description

The Lincoln model 1886 battery-powered grease gun offers the key features you need for tough jobs – nothing more and nothing less. The versatility of the two-speed design enables you to address all lubrication points with a single tool, protecting equipment and machinery from costly repair and downtime. The tool's high-ratio gearing will move large quantities of grease quickly when needed, while its low gearing supports deliveries of up to 690 bar.

Also, the tool has a convenient, built-in LED to illuminate the work area and a three-point stance to keep the tool upright.

Features and benefits

- Flex hose that comes with anti-kink spring guards on each end and is the ideal size for most lubrication tasks
- Integrated vent valve purges trapped air to help assure easy prime
- The filler nipple facilitates a quick, clean refill for those who prefer to bulk fill their barrel
- Lithium-ion technology is powerful and efficient, delivering an even flow of energy
- Display shows battery charge and grease output in both grams and ounces

Applications

- General mechanic and plant engineering
- Agriculture, construction, automotive, trucking
- Heavy equipment
- Wind energy
- General industry

Technical data

Function	battery-operated grease gun
Operating power	20 V
Operating pressure	max. 690 bar; 10 000 psi
Delivery rate	max. 284 g/min; 10 oz/min
Reservoir capacity	411 g; 14.5 oz
Operating temperature	-18 to 50 °C; 0 to 122 °F
Rated current	5.0 A
Lubricant	grease up to NLGI 2
Material	steel, metal, plastic

Order information

Order number	Designation	Approval	Weight	
			kg	lb
1886	Single battery unit with charger	UL	3,4	7,5
001882-E	Single battery unit with charger	CE	3,4	7,5
001871	20V Li-ion battery, 2,5 Ah	UL, CE	-	-
001872	20V Li-ion battery, 4,0 Ah	UL, CE	-	-

Manual grease filler guns



Description

The manual cartridge grease gun is ideal for agricultural, industrial and construction industries and for private use. It can be utilized to lubricate directly or as filler pump for automatic lubrication systems. The tool is designed for rough treatment on the job with a cast iron pump head, precision fit plunger and extra heavy follower spring.

Features and benefits

- For use with cartridges and bulk grease
- Knurled body for firm and safe grip
- High-output setting delivers twice the grease per stroke
- High or low pressure for light- or heavy-duty greasing action
- Extension swivels 360° for hard-to-reach fittings
- Plated barrel, head and handle

Applications

- General mechanic and plant engineering
- Agriculture, construction, automotive, trucking
- Heavy equipment
- Wind energy
- General industry

Technical data

Function	manually operated cartridge grease gun
Delivery rate	max. 284 g/min; 10 oz/min
Cartridge capacity	420 ml; 14.2 fl oz
Operating temperature	-18 to 50 °C; 0 to 122 °F
Lubricant	grease up to NLGI 2
Material	steel, metal, plastic

Order information

Order number	Designation	Operation pressure max.		Weight	
		bar	psi	kg	lb
001013	LEVER GUN	275	4 000	2,09	4.61
001142	LEVER GUN	400	5 800	1,85	4.08
001133	PISTOL GUN	414	6 000	1,62	3.57

Refill pumps

Filler cylinder



Description

Lubricant outlets of automatic lubrication system pumps can, as an option, be equipped with one suitable filler socket in order to fill the unit using a filling cylinder (cartridge). A filler cylinder is only recommended for systems with low lubricant consumption and reservoir sizes up to 2 kg.

Features and benefits

- Robust and sustainable manual filler pump
- Knurled body for firm and safe grip
- Easy to use

Applications

- General mechanic and plant engineering
- Agriculture, construction, automotive, trucking
- General industry
- Heavy equipment
- Wind energy

Technical data

Function	manually operated cartridge filler cylinder
Reservoir capacity	420 ml; 14.2 fl oz
Operating temperature	-18 to 50 °C; 0 to 122 °F
Lubricant	grease up to NLGI 2
Material	steel, metal, plastic

Order information

Order number	Designation	Thread
		mm
169-000-171	Filler cylinder	–
169-000-174	Filler coupling	M20x1,5
5590-00000002	Filler coupling	M22x1,5

Manually and pneumatically operated filling pumps 169



Description

The 169 series of filling pumps is available in manual or pneumatic models that are suitable for barrel sizes of 15, 20, 25 and 50 kg. The pumps are offered in stationary or mobile versions.

Features and benefits

- Easy and cost-efficient filling of pump reservoirs
- No contamination of the lubricant during the filling process
- Steel pump with guided grease follower piston
- Centering cover that positions the pump centrally in the barrel and ensures optimum residual emptying

Applications

- Construction machinery
- Agriculture vehicles
- Production plants

Technical data

Function	filling pump
Design	manually operated filling pump
Delivery rate	max. 100 g/stroke; 10 oz/stroke
Design	pneumatically operated filling pump
Delivery rate	max. 1 800 g/min; 3.97 lbs/min
Ratio	1 : 3
Operating pressure	max. 24 bar; max. 348 psi
Air pressure	max. 8 bar; max. max. 116 psi
Barrel capacities	15, 20, 25 and 50 kg
Operating temperature	-10 to +40 °C; 14 to 104 °F
Lubricant	fluid grease and grease up to NLGI 2
Coupling	acc. to ISO 241 B DN6 R 1/4
Hose length	2 m; 6.5 ft
Material	steel, metal, plastic
Dimensions	max. 550 x 550 x 950 max. 21.65 x 21.65 x 37.4

Order number	Designation	Drum	Inner diameter	Medium	Delivery rate per stroke	Dimensions D x H		Weight			
		kg	mm	in	cm ³	in ³	mm	mm	kg	lb	
169-000-004	MANUAL FILLING PUMP 15L, STATIONARY	15	267	10.5	NLGI 1/2	4	0.25	360x640	14,2x25,2	4,383	9.66
169-000-012	MANUAL FILLING PUMP 10L, STATIONARY	10	236	9.3	NLGI 1/2	25	1.53	280x610	11x24	4,68	10.32
169-000-016	MANUAL FILLING PUMP 20L, STATIONARY	20	290	11.4	NLGI 1/2	25	1.53	300x590	11,8x23,2	5,12	11.30
169-000-082	MANUAL FILLING PUMP 25L, STATIONARY	25/50	350 ¹⁾	13.8 ¹⁾	00/000	100	6.1	350x800	23,2x31,5	7	15.43
169-000-084	MANUAL FILLING PUMP 25/50L, MOBILE	25	350 ¹⁾	13.8 ¹⁾	00/000	250	15.3	320x630	12,6x24,8	4	8.82
169-000-042	MANUAL FILLING PUMP 25L, MOBILE	25	300-335	11.2-13.2	NLGI 1/2	45	2.7	550x780	21,7x30,7	16,8	37.04
169-000-054	MANUAL FILLING PUMP 25L, MOBILE	50	355-387	14-15.2	NLGI 1/2	45	2.7	550x950	21,7x37,4	10	22.05
169-000-342	MANUAL FILLING PUMP 25L, STATIONARY	25	300-335	11.2-13.2	NLGI 1/2	45	2.7	340x700	13,4x27,6	6,38	14.06

¹⁾ max. outer diameter

Electrically operated filling pump EFPF



Description

The EFPF electric grease filling pump is a piston pump for grease drum sizes from 16 to 25 kg. The delivery stroke is generated at the lower end of the intake tube by a delivery piston that is controlled by an electrically driven eccentric shaft. The pump is activated using an ON/OFF switch attached to the terminal box.

Features and benefits

- Suitable for pressures up to 250 bar
- Suitable for oil, fluid grease and grease
- Integrated automatic shut-off function for use with grease guns

Applications

- Wind energy
- Stationary and mobile vehicles

Order information

Order number	Designation	Weight	
		kg	lb
24-1560-3577	El. barrel pump EFPF	34,5	76.07
24-1560-3578	El. barrel pump EFPF with signal input	34,9	76.95
24-1868-4334	High-pressure hose, max. 275 bar, 5 m	–	–
412-423W	Screw union G1/4 412-423W	–	–
995-001-500	Coupling socket G1/4	–	–
995-000-705	Coupler plug G1/4	–	–
169-000-031	Grease gun	–	–

Technical data

Function	electrically operated piston pump
Delivery rate	max. 400 cm ³ /min; 24 in ³ /min
Barrel capacities	16 and 25 kg
Operating temperature	–10 to +60 °C; 14 to 140 °F
Lubricant	oil, fluid grease and grease up to NLGI 2
Outlet fitting	G 1/4
Automatic shut-off, fixed	250 bar
Pressure regulating valve, fixed	300 bar
Restart after pressure relief	< 150 bar
Material	steel, metal, plastic
System voltage	230 V AC/50 to 60 Hz
Motor power	370 W
Protection class	IP54
Insulation class	F
Intake current	2,73 A
Electrical connection	grounded plug, 3 m cable - motor protection via circuit breaker
Dimensions (pump only)	550 x 900 mm; 21.7 x 35.4 in

Accessories for EFPF

Order number	Designation	Suitable drum sizes			Weight		
		kg	kg	lb			
24-1722-2545	Carrying frame	16/25	13,2	29.11			
24-1722-2551	Carrying frame with handle and wheels	16/25	16,6	36.60			
24-1722-2552	Carrying frame with wheels	16/25	15	33.08			
24-1952-2034	Follower plate Ø 265-285	16/25	0,7	1.54			
24-1952-2035	Follower plate Ø 285-305	16/25	1	2.21			
24-1952-2036	Follower plate Ø 305-350	16/25	1,5	3.31			

Cross reference list

Historical order number	SKF Lincoln order number	Historical order number	SKF Lincoln order number
226-12490-3	898-610-000	408-416	223-12368-6
226-12557-1	941-206-108	408-423W	223-12270-9
226-12557-2	941-209-104	408-423W-S3	223-13614-9
226-12557-3	941-212-101	408-425	223-12362-4
226-12557-4	941-215-104	410-301	223-12295-8
226-12557-6	941-220-104	410-302	223-13032-6
226-12557-7	941-210-104	410-323	223-14304-2
226-13095-1	898-710-001	410-403	223-14129-4
226-13095-6	179-990-186	410-403W	223-12272-9
401-013-111	222-12599-9	410-403W-S3	223-14420-7
401-016-132	222-12521-2	410-404	223-12483-8
401-016-171	222-13678-1	410-405W	223-13048-5
401-016-191	222-12578-5	410-407	223-13057-5
401-021-111	222-13678-4	410-409	223-12409-9
404-301	223-14083-3	410-410	223-12531-2
404-302	223-13032-1	410-410-S3	223-13615-6
404-403	223-13069-1	410-411	223-13028-2
404-403W	223-12270-8	410-413W	223-14214-4
404-404	223-12531-8	410-416	223-12368-8
404-405W	223-13021-4	410-425	223-12485-2
404-406-S3	223-13615-5	410-433W	223-10313-7
404-413	223-12271-8	410-443-S3	223-14420-4
404-425	223-13069-2	410-463	223-10313-2
406-301	223-12295-3	412-301	223-12296-1
406-302	223-12373-9	412-302	223-12373-2
406-302-S3	223-14082-5	412-403W	223-12360-8
406-303	223-14234-7	412-404	223-12280-9
406-323	223-13766-9	412-411	223-12481-8
406-331	223-12295-2	412-412	223-13732-8
406-332	223-12374-9	412-416	223-13698-4
406-332-S3	223-13638-2	412-423W	223-12477-9
406-333	223-14129-1	415-301	223-12296-9
406-403	223-10263-8	415-302	223-12374-8
406-403-S3	223-14184-5	415-403W	223-12361-9
406-403W	223-13016-3	415-405W	223-13021-7
406-403W-S3	223-13658-2	415-407	223-12563-2
406-404	223-12483-2	415-409	223-12409-8
406-405	223-12485-8	415-415	223-12531-6
406-405W	223-13048-1	415-415-S3	223-12454-8
406-406	223-12482-9	415-416	223-12564-2
406-407	223-12484-2	415-433W	223-13621-8
406-409	223-13050-4	418-301	223-12583-1
406-411	223-12481-4	418-302	223-12374-7
406-413	223-14129-4	418-403W	223-13766-1
406-413W	223-12477-1	418-403W-S3	223-14420-8
406-413W-S3	223-13614-7	418-416	223-12564-8
406-415W	223-12380-6	418-418	223-13732-4
406-416	223-12368-4	422-407	223-13057-4
406-423	223-12271-7	428-403W	223-13610-9
406-423-S3	223-13658-5	428-413W	223-14214-9
406-423W	223-12270-7	441-008-511	223-13021-1
406-423W-S3	223-13614-9	441-008-511-S3	223-13715-1
406-425	223-13021-3	441-110-163	223-13028-4
406-433	223-13023-1	441-112-162	223-12286-8
406-433-S3	223-13658-6	443-190-901	223-13050-3
406-435	223-13023-3	443-215-001	223-12562-2
406-435-S3	223-13677-2	443-306-341	223-14171-1
406-443	223-12533-9	443-308-351	223-14102-3
406-443-S3	223-13658-7	443-406-061	223-14190-6
406-445	223-13023-2	443-408-081	223-14190-7
406-445-S3	223-13677-4	443-410-101	223-13040-9
406-446	223-14181-3	443-412-121	223-13761-5
406-463W	223-13766-6	443-415-151	223-14190-5
408-301	223-12295-6	445-516-081	223-12284-7
408-302	223-13032-4	445-516-101	223-12369-9
408-403	223-12361-6	445-519-041	223-13629-1
408-403W	223-12477-6	445-519-061	223-12479-5
408-405	223-12362-8	445-521-122	223-13669-3
408-405W	223-14240-5	445-529-041	223-12480-2
408-407	223-12484-6	445-531-061	223-12369-7
408-408	223-12531-9	445-531-062	223-12480-7
408-408-S3	223-13615-3	445-808-351	223-13040-1
408-409	223-12409-6	445-810-371	223-14189-1
408-411	223-12481-6	460-706-001	223-10297-5
408-413W	223-10080-3	460-710-001	223-10297-6

Cross reference list

Historical order number	SKF Lincoln order number	Historical order number	SKF Lincoln order number
460-712-001	223-10297-9	96-3113-0058	222-13678-3
466-411-001	223-10530-4	96-3115-0060	223-14189-7
466-413-001	223-13702-7	96-3116-0058	222-12521-5
466-416-001	223-13702-1	96-3117-0058	222-12521-6
466-418-001	223-13702-6	96-3118-0058	222-12521-4
471-106-163	223-13655-1	96-3120-0058	222-12578-4
471-110-163	223-13655-7	96-3121-0058	222-12578-8
471-112-163	223-14268-4	96-3122-0058	222-12578-3
504-410	223-12542-2	96-3123-0058	222-12047-2
506-410	223-13705-5	96-3125-0058	222-12599-3
506-412	223-13622-3	96-3126-0058	222-12578-2
506-413	223-10986-1	96-3127-0058	222-12047-8
508-410	223-13024-4	96-3128-0058	222-12047-4
508-412	223-13622-7	96-3131-0058	222-12599-5
508-413	223-13024-8	96-3132-0058	222-13670-1
510-412	223-12542-7	96-3134-0058	222-12599-6
512-410	223-12452-8	96-3208-0060	223-10374-3
650-050	213-12505-1	96-3210-0060	223-14189-5
650-060	213-12168-8	96-3212-0060	223-14189-9
650-080	213-12505-3	96-3216-0060	223-14189-2
650-100	213-12505-2	96-3220-0060	223-14189-3
650-120	213-12505-5	96-5608-0058	223-13032-3
650-200	213-12505-8	96-5610-0058	223-12374-6
96-0203-0058	223-10814-2	96-5708-0058	223-12295-5
96-0204-0058	223-12477-8	96-5710-0058	223-12295-9
96-0222-0058	223-13016-2	96-5909-0058	223-13621-6
96-0223-0058	223-13749-3	96-6002-0058	223-12533-5
96-0308-0060	223-10889-2	96-6202-0058	223-12533-6
96-0319-0058	223-11242-5	96-6904-0058	223-12563-5
96-0328-0058	223-14214-8	96-7004-0058	223-13629-1
96-0408-0058	223-12483-5	96-7006-0058	223-12479-9
96-0506-0060	223-10307-2	96-7008-0058	223-12479-8
96-0510-0060	223-13033-2	96-7104-0158	223-12480-8
96-0518-0060	223-13693-9	96-7906-0058	223-12285-8
96-0706-0060	223-13693-4	96-7908-0058	223-12285-9
96-0708-0060	223-13693-6	96-7910-0058	223-12285-5
96-0710-0060	223-13693-2	96-7912-0058	223-12285-6
96-0711-0060	223-13693-1	96-7920-0058	223-12285-7
96-0722-0060	223-12273-2	96-8010-0058	223-13669-4
96-1108-0058	223-12477-2	96-8910-0058	223-13655-2
96-1109-0058	223-13016-6	96-8912-0058	223-13655-4
96-1110-0058	223-13016-4	99-0204-0058	223-13658-9
96-1111-0058	223-13016-9	99-0215-0058	223-13715-9
96-1112-0058	223-13016-7	99-0217-0058	223-13715-6
96-1113-0058	223-14129-3	99-0228-0058	223-14184-2
96-1116-0058	223-13621-1	99-2712-0058	223-13639-9
96-1117-0058	223-13749-5	99-5604-0058	223-13638-6
96-1120-0058	223-12359-6	99-5612-0058	223-14082-3
96-1121-0058	223-12360-6	99-5704-0058	223-13639-5
96-1214-0058	223-11242-4	DIN7513-BM5x10	206-12124-3
96-1508-0060	223-10670-3	DIN7513-BM6x16	206-12125-4
96-1511-0060	223-12582-5	DIN912-M4x12-A4	201-13741-1
96-1523-0060	223-14293-2	DIN912-M4x20-8.8	201-12015-5
96-1532-0060	223-14152-2	DIN912-M5x10-A2	201-13608-6
96-1533-0060	223-14293-4	DIN912-M6x16-8.8	201-12019-9
96-1545-0060	223-14293-8	DIN912-M6x25-8.8	201-12018-7
96-1555-0060	223-12581-9	DIN912-M6x60-8.8	201-12019-6
96-1610-0060	223-10688-1	DIN912-M8x16-8.8	201-12021-3
96-1611-0060	223-10187-1	DIN933-M10x40-8.8	200-12523-3
96-1612-0060	223-13054-4	DIN933-M5x12-8.8	200-13092-1
96-1622-0060	223-12287-8	DIN933-M6x16-8.8	200-13022-4
96-1623-0060	223-12288-2	DIN933-M6x20-8.8	200-13022-7
96-1643-0060	223-14293-1	DIN933-M6x25-8.8	200-13022-1
96-1651-0060	223-12577-8	DIN933-M8x20-8.8	200-12553-4
96-1653-0060	223-12577-2	DIN933-M8x25-8.8	200-10406-7
96-1654-0060	223-12580-2	DIN934-M5-8	207-12138-2
96-1656-0060	223-13759-7	DIN934-M6-8	207-12135-5
96-3101-0058	222-13678-2	DIN936-M14x1.5-5	207-12141-1
96-3102-0058	222-12599-2	DIN936-M16x1.5-5	207-12141-8
96-3105-0058	222-12578-9	DIN985-M12-6	207-12516-6
96-3106-0060	223-14189-6	DIN985-M3-6	207-12516-9
96-3109-0058	222-13678-8	DIN985-M8-6	207-12516-1
96-3110-0058	222-12521-8		
96-3111-0058	222-11053-1		
96-3112-0060	223-13785-8		

Index

24-1560-3577.....	169	96-1706-0058	62	105-35134-1.....	106	169-000-174.....	167
24-1560-3578.....	169	96-1806-0058	62	105-35134-3.....	106	169-000-336	156
24-1722-2545.....	169	96-1808-0058	62	105-35134-4.....	106	169-000-337	156
24-1722-2551.....	169	96-2106-0058	52	105-35134-9.....	106	169-000-338	156
24-1722-2552.....	169	96-2118-0058	52	105-35183-3.....	106	169-000-342	168
24-1868-4334	169	96-2122-0058	52	105-35251-1.....	106	169-101-004.....	137
24-1952-2034	169	96-3102-0058	78	105-35251-3.....	106	169-101-607.....	138
24-1952-2035	169	96-3106-0058	78	105-35308-1	106	169-102-015.....	138
24-1952-2036	169	96-3112-0058	78	106-35203-1.....	107	169-102-020	137
44-1755-2019.....	25	96-3118-0060	63	106-35203-2	107	169-102-506	137
44-1755-2029.....	75	96-3122-0060	63	106-35203-3	107	169-104-008	137
44-1855-6021.....	81	96-3129-0058	78	106-35203-4	107	169-104-015.....	138
96-0335-0058.....	43	96-3133-0058	78	106-35203-7.....	107	169-104-020	137
96-0342-0058	43	96-3136-0058	78	106-35231-1.....	107	169-106-004	137
96-0508-0060.....	53	96-3137-0058	78	106-35231-2.....	107	169-106-011.....	138
96-0512-0060	53	96-5911-0058	44	106-35231-3.....	107	169-106-015.....	138
96-0606-0060.....	53	96-5912-0058	44	106-35231-6.....	107	169-106-020	137
96-0608-0060.....	53	96-5913-0058	44	106-35267-4.....	107	169-110-010.....	138
96-0712-0060	53	96-6112-0058	51	106-35292-1.....	107	169-110-015.....	138
96-0715-0060	53	96-6304-0058	62	106-35292-2.....	107	169-110-020	137
96-0718-0060	53	96-6306-0058	62	111-35114-1	114	169-116-000.....	137
96-0806-0058.....	62	96-6308-0058	62	111-35306-5.....	105	169-125-015.....	138
96-0808-0058.....	62	96-6404-0058	62	112-35127-2.....	104	169-125-020	137
96-0810-0058	62	96-6406-0058	62	112-35127-5.....	104	169-140-001.....	138
96-0818-0058.....	62	96-6408-0058	62	112-35127-7.....	104	169-200-008	34
96-0906-0058.....	62	96-7108-0058	57	112-35225-4.....	104	179-990-186.....	123
96-1114-0058.....	44	96-7808-0058	57	113-35075-2.....	105	200-10406-7	123
96-1206-0058	43	96-7812-0058	57	113-35075-3.....	105	200-12007-6	123
96-1214-0058.....	43	96-7815-0058	57	161-110-031+924.....	135	200-12009-7	123
96-1406-0060	59	96-7818-0058	57	161-120-064+924	135	200-12399-2	123
96-1408-0060	59	96-7822-0058	57	161-212-054.....	132	200-12523-3	123
96-1410-0060	59	96-7914-0058	58	161-600-036	134	200-12553-4	123
96-1412-0058.....	51	96-7916-0058	58	162-310-005	143	200-12553-8	123
96-1541-0060	59	96-8006-0058.....	57	169-000-004	168	200-13017-5.....	123
96-1542-0060	59	96-8008-0058.....	57	169-000-012	168	200-13017-9.....	123
96-1543-0060	59	96-8012-0058	57	169-000-016	168	200-13022-1	123
96-1551-0060	59	96-8014-0058	57	169-000-031	169	200-13022-4	123
96-1556-0060	59	96-8016-0058	57	169-000-042	168	200-13022-7	123
96-1633-0060	59	96-8804-0058	60	169-000-054	168	200-13037-3.....	123
96-1642-0060	59	96-8906-0058.....	60	169-000-082	168	200-13092-1.....	123
96-1644-0060	59	99-0222-0058.....	45	169-000-084	168	201-12015-5.....	123
96-1652-0060	59	105-35025-5	106	169-000-171.....	167	201-12018-7.....	123

Index

201-12019-6.....	123	222-12599-3	78	223-10550-8	48	223-12292-9.....	55
201-12019-9.....	123	222-12599-5.....	78	223-10563-5	48	223-12295-2	41
201-12021-3.....	123	222-12599-6.....	78	223-10563-6	48	223-12295-3	41
201-13608-6	123	222-12599-9.....	78	223-10563-7	48	223-12295-5.....	41
201-13741-1	123	222-13618-1.....	78	223-10563-8	48	223-12295-6	41
202-085-5	133	222-13618-2.....	78	223-10638-3	65	223-12295-8	41
202-175-30.....	129	222-13618-3.....	78	223-10670-3.....	59	223-12295-9	41
202-275-2.....	129	222-13618-5.....	78	223-10688-1	59	223-12296-1.....	41
206-12124-3.....	123	222-13670-1.....	78	223-10814-2.....	44	223-12296-3	41
206-12125-4.....	123	222-13678-1.....	78	223-10889-2	60	223-12296-5	41
207-168-2.....	125	222-13678-2.....	78	223-10986-1	47	223-12296-8	41
207-168.U2	125	222-13678-3.....	78	223-11089-3	46	223-12296-9	41
207-168.U7	125	222-13678-4.....	78	223-11185-1.....	54	223-12359-6	44
207-188-2.....	125	222-13678-8.....	78	223-11229-9.....	46	223-12360-6	44
207-188.U11	125	222-14180-3.....	78	223-11242-4.....	43	223-12360-8	44
210-042.....	33	222-14180-5.....	78	223-11242-5.....	43	223-12361-6.....	43
213-870.....	149	222-14180-6.....	78	223-12270-7.....	44	223-12361-9.....	44
213-870F.....	149	222-14180-7.....	78	223-12270-8	44	223-12362-4	50
213-870.U1	149	222-14180-9.....	78	223-12270-9.....	44	223-12362-8	50
213-870.U2	149	223-10055-9	46	223-12271-7.....	43	223-12363-2	46
213-870.U2	149	223-10080-3	44	223-12271-8.....	43	223-12363-6	46
213-880.....	149	223-10187-1.....	59	223-12272-9.....	44	223-12364-4.....	47
213-880.U1	149	223-10263-8	43	223-12272-9.....	130	223-12364-6.....	56
213-930F.....	149	223-10297-1.....	71	223-12273-2.....	53	223-12365-2	50
220-12238-3	151	223-10297-5	71	223-12273-5.....	44	223-12366-2	49
222-10365-3	78	223-10297-6	71	223-12280-9	50	223-12366-6	49
222-11053-1.....	78	223-10297-7.....	71	223-12284-7.....	58	223-12367-2.....	49
222-12047-2.....	78	223-10297-9	71	223-12285-5	58	223-12367-4.....	49
222-12047-4.....	78	223-10307-2	53	223-12285-6	58	223-12368-2	56
222-12047-8.....	78	223-10313-2.....	43	223-12285-7.....	58	223-12368-4	56
222-12521-2.....	78	223-10313-7.....	44	223-12285-8	58	223-12368-6	56
222-12521-4.....	78	223-10364-3	56	223-12285-9	58	223-12368-8	56
222-12521-5.....	78	223-10364-6	56	223-12286-8	60	223-12369-7.....	57
222-12521-6.....	78	223-10374-3.....	63	223-12287-8	59	223-12369-9	58
222-12521-8.....	78	223-10389-3	57	223-12288-2	59	223-12372-9.....	54
222-12578-2.....	78	223-10389-4	58	223-12290-2	54	223-12373-2.....	42
222-12578-3.....	78	223-10530-4	82	223-12290-7.....	54	223-12373-6.....	42
222-12578-4.....	78	223-10540-1.....	155	223-12291-2.....	54	223-12373-9.....	42
222-12578-5.....	78	223-10540-2	155	223-12291-4.....	54	223-12374-2.....	42
222-12578-8.....	78	223-10550-1.....	48	223-12291-6.....	54	223-12374-6.....	42
222-12578-9.....	78	223-10550-2	48	223-12292-2.....	55	223-12374-7.....	42
222-12599-2.....	78	223-10550-6	48	223-12292-5.....	55	223-12374-8.....	42

Index

223-12374-9.....	42	223-12481-8.....	60	223-13016-7.....	44	223-13096-2.....	44
223-12377-7.....	45	223-12482-9.....	46	223-13016-9.....	44	223-13610-8.....	46
223-12377-8.....	45	223-12483-2.....	50	223-13021-1.....	43	223-13610-9.....	44
223-12380-6.....	51	223-12483-5.....	50	223-13021-3.....	50	223-13614-6.....	45
223-12409-2.....	56	223-12483-8.....	50	223-13021-4.....	51	223-13614-7.....	45
223-12409-6.....	56	223-12484-2.....	49	223-13021-6.....	51	223-13614-9.....	45
223-12409-8.....	56	223-12484-6.....	49	223-13021-7.....	51	223-13615-3.....	46
223-12409-9.....	56	223-12485-2.....	50	223-13023-1.....	43	223-13615-5.....	46
223-12423-7.....	52	223-12485-8.....	50	223-13023-3.....	50	223-13615-6.....	46
223-12429-1.....	54	223-12531-2.....	46	223-13024-1.....	47	223-13616-3.....	49
223-12432-2.....	52	223-12531-4.....	46	223-13024-4.....	47	223-13619-2.....	47
223-12432-8.....	52	223-12531-6.....	46	223-13024-8.....	47	223-13619-9.....	47
223-12452-5.....	45	223-12531-8.....	46	223-13025-6.....	49	223-13620-8.....	51
223-12452-7.....	45	223-12531-9.....	46	223-13028-2.....	60	223-13621-1.....	44
223-12452-8.....	47	223-12533-5.....	43	223-13028-4.....	60	223-13621-6.....	44
223-12452-9.....	45	223-12533-9.....	43	223-13032-1.....	42	223-13621-8.....	44
223-12453-1.....	51	223-12535-5.....	54	223-13032-3.....	42	223-13622-1.....	47
223-12454-1.....	46	223-12535-9.....	54	223-13032-4.....	42	223-13622-3.....	47
223-12454-3.....	46	223-12541-5.....	49	223-13032-6.....	42	223-13622-7.....	47
223-12454-5.....	46	223-12542-2.....	47	223-13032-9.....	42	223-13629-1.....	58
223-12454-6.....	46	223-12542-7.....	47	223-13033-2.....	53	223-13638-1.....	42
223-12454-8.....	46	223-12562-2.....	50	223-13040-1.....	63	223-13638-2.....	42
223-12455-1.....	49	223-12562-7.....	50	223-13040-3.....	61	223-13638-3.....	42
223-12455-2.....	49	223-12562-8.....	50	223-13040-7.....	61	223-13638-6.....	42
223-12455-5.....	49	223-12563-2.....	49	223-13040-9.....	61	223-13638-7.....	42
223-12456-1.....	58	223-12563-5.....	49	223-13048-1.....	51	223-13638-9.....	42
223-12456-6.....	57	223-12563-9.....	49	223-13048-5.....	51	223-13639-1.....	41
223-12456-7.....	58	223-12564-2.....	56	223-13048-6.....	51	223-13639-2.....	41
223-12456-9.....	58	223-12564-3.....	56	223-13048-8.....	51	223-13639-3.....	41
223-12477-1.....	44	223-12564-8.....	56	223-13049-3.....	46	223-13639-4.....	41
223-12477-2.....	44	223-12567-1.....	79	223-13050-2.....	56	223-13639-5.....	41
223-12477-6.....	44	223-12573-6.....	49	223-13050-3.....	56	223-13639-7.....	41
223-12477-6.....	130	223-12577-2.....	59	223-13050-4.....	56	223-13639-8.....	41
223-12477-8.....	44	223-12577-8.....	59	223-13051-1.....	54	223-13639-9.....	41
223-12477-9.....	44	223-12580-2.....	59	223-13051-2.....	54	223-13640-1.....	65
223-12479-5.....	58	223-12581-9.....	59	223-13052-8.....	54	223-13640-2.....	65
223-12479-8.....	58	223-12582-5.....	59	223-13054-4.....	59	223-13640-3.....	65
223-12479-9.....	58	223-12583-1.....	41	223-13057-2.....	49	223-13640-4.....	65
223-12480-2.....	57	223-13016-2.....	44	223-13057-4.....	49	223-13640-5.....	65
223-12480-7.....	57	223-13016-3.....	44	223-13057-5.....	49	223-13640-8.....	65
223-12481-4.....	60	223-13016-4.....	44	223-13069-1.....	43	223-13640-9.....	65
223-12481-6.....	60	223-13016-6.....	44	223-13079-1.....	54	223-13643-1.....	55

Index

223-13643-2.....	55	223-13693-6	53	223-14089-6	58	223-14215-3.....	65
223-13643-3.....	55	223-13693-9	53	223-14089-9	57	223-14215-4.....	65
223-13643-4.....	55	223-13694-1.....	64	223-14092-5.....	41	223-14215-5.....	65
223-13643-6.....	55	223-13694-3.....	64	223-14102-3.....	63	223-14234-4.....	46
223-13643-8.....	55	223-13694-6.....	64	223-14116-2.....	53	223-14234-7.....	46
223-13655-1.....	60	223-13694-7.....	64	223-14116-9.....	53	223-14238-4.....	58
223-13655-2.....	60	223-13698-4.....	56	223-14129-1.....	46	223-14240-5.....	51
223-13655-4.....	60	223-13700-7.....	157	223-14129-2.....	46	223-14241-2.....	71
223-13655-5.....	60	223-13700-8.....	157	223-14129-3.....	44	223-14241-5.....	71
223-13655-7.....	60	223-13700-9.....	157	223-14129-4.....	43	223-14241-9.....	71
223-13655-7.....	64	223-13702-1.....	82	223-14130-2.....	48	223-14244-6.....	61
223-13655-8.....	64	223-13702-5.....	82	223-14130-2.....	48	223-14244-8.....	61
223-13655-9.....	64	223-13702-6.....	82	223-14130-7.....	48	223-14253-1.....	48
223-13658-1.....	45	223-13702-7.....	82	223-14130-9.....	48	223-14253-2.....	48
223-13658-2	45	223-13702-9.....	82	223-14152-2.....	59	223-14253-3.....	48
223-13658-4.....	45	223-13705-5.....	47	223-14171-1.....	63	223-14253-4.....	48
223-13658-5.....	43	223-13706-3.....	55	223-14171-4.....	63	223-14253-5.....	48
223-13658-6	43	223-13715-1.....	43	223-14171-5.....	63	223-14268-4.....	60
223-13658-7.....	43	223-13715-6.....	45	223-14171-8.....	63	223-14268-7.....	60
223-13658-9	45	223-13715-9.....	45	223-14184-2.....	45	223-14293-1.....	59
223-13669-3	58	223-13732-4.....	46	223-14184-5.....	43	223-14293-2.....	59
223-13669-4.....	57	223-13732-8.....	46	223-14187-4.....	48	223-14293-4.....	59
223-13671-2.....	56	223-13749-3.....	44	223-14187-4.....	48	223-14293-8.....	59
223-13671-9.....	56	223-13749-5.....	44	223-14189-1.....	63	223-14304-2.....	46
223-13672-3.....	49	223-13758-4.....	56	223-14189-2.....	63	223-14304-5.....	46
223-13672-8.....	49	223-13759-7.....	59	223-14189-3.....	63	223-14304-7.....	46
223-13673-4.....	120	223-13761-5.....	61	223-14189-5.....	63	223-14418-7.....	46
223-13675-2.....	50	223-13761-7.....	61	223-14189-6.....	63	223-14420-7.....	45
223-13675-6.....	50	223-13766-1.....	44	223-14189-7.....	63	223-14420-8.....	45
223-13677-2.....	50	223-13766-6.....	44	223-14189-9.....	63	223-14424-5.....	50
223-13677-5.....	51	223-13766-9.....	46	223-14190-1.....	61	223-14464-1.....	55
223-13679-3.....	58	223-13770-2.....	55	223-14190-2.....	61	223-14464-9.....	54
223-13679-8.....	58	223-13770-5.....	55	223-14190-4.....	61	223-14464-9.....	54
223-13679-9.....	58	223-13770-6.....	55	223-14190-5.....	61	223-14497-1.....	48
223-13681-1.....	54	223-13770-8.....	55	223-14190-6.....	61	223-14497-3.....	48
223-13685-1.....	60	223-13785-8.....	63	223-14190-7.....	61	223-14497-4.....	48
223-13685-3	60	223-13791-5.....	47	223-14214-2.....	44	223-14497-8.....	48
223-13686-1.....	48	223-14082-3	42	223-14214-4.....	44	226-10159-1.....	91
223-13692-3.....	55	223-14082-5	42	223-14214-5.....	44	226-10159-9.....	91
223-13693-1.....	53	223-14082-6	42	223-14214-8.....	43	226-10205-5	87
223-13693-2	53	223-14083-3	41	223-14214-9.....	44	226-10214-4.....	92
223-13693-4.....	53	223-14089-5.....	58	223-14215-2.....	65	226-10214-7.....	92

Index

226-10223-2	90	226-14111-2	88	251-14040-3	145	324-861	101
226-10223-4	90	226-14111-3	88	251-14040-4	145	325-581	101
226-10223-6	90	226-14111-4	88	251-14040-5	145	326-581	101
226-10622-8	88	226-14123-2	89	251-14044-8	145	326-663	101
226-11313-8	89	226-14123-3	89	251-14045-1	145	328-581	101
226-11313-9	89	226-14123-4	89	251-14045-8	145	328-861	101
226-11315-1	89	226-14123-5	89	251-14063-1	145	330-581	101
226-11315-2	89	226-14139-1	87	251-14063-4	145	330-861	101
226-12335-7	119	226-14157-1	88	251-14063-9	145	332-861	101
226-12337-1	119	226-14157-2	88	251-14073-9	145	334-861	101
226-12337-2	120	226-14157-3	88	251-14109-2	145	336-861	101
226-12337-3	120	226-14157-4	90	251-14109-3	145	338-861	101
226-12337-4	120	226-14157-5	90	267-001.03	75	340-861	101
226-12337-5	120	233-13651-1	153	267-001.13	18	401-004-512	17
226-12337-6	120	233-13651-6	153	267-001.17	18	401-004-903	17
226-12338-1	119	233-14419-1	153	267-001.19	18	401-004-904	17
226-12338-2	120	234-10396-2	139	267-001.36	75	401-011-132	75
226-12338-3	120	234-10396-9	139	267-001.47	75	401-013-131	75
226-12338-4	120	234-10898-4	139	267-001.60	75	401-013-161	75
226-12338-5	120	234-13101-2	139	301-001	18	401-013-171	75
226-12338-6	120	234-13101-4	139	301-001DK	24	401-016-312	75
226-12343-1	122	234-13132-7	139	301-005	18	401-016-371	75
226-12343-2	122	234-13132-8	139	301-005-S3	18	401-019-132	75
226-12343-5	122	234-13136-2	139	301-020	18	401-019-352	75
226-12508-5	159	234-13156-6	139	301-020	129	401-504-192	35
226-13058-3	122	234-13182-7	139	301-020	130	401-504-292	35
226-13058-5	122	234-13182-8	139	301-020-S3	18	401-506-313	35
226-13095-7	159	235-13108-4	134	301-034	76	402-001 ¹⁾	14
226-13097-3	122	235-13114-1	134	301-134	76	402-002	15
226-13673-1	119	243-001.10	75	303-17546-1	151	402-003	18
226-13673-5	120	243-001.20	75	304-16337-1	76	402-003K	17
226-13717-1	119	248-602.20	137	304-19167-1	76	402-004	18
226-13717-2	120	248-602.25	137	304-19230-1	76	402-006	18
226-13717-3	120	248-610.01	75	304-19437-1	76	402-006K	17
226-13717-4	120	248-803.16	158	304-19509-1	76	402-008K	17
226-13718-1	120	248-803.17	158	304-19548-1	76	402-011	82
226-13753-9	89	248-803.20	158	304-19787-1	76	402-116-161	26
226-13756-9	88	251-10309-1	145	321-581	101	402-116-165	26
226-13773-4	93	251-10309-2	145	322-581	101	402-603	15
226-14097-4	92	251-10780-2	145	322-861	101	402-606-191	32
226-14097-5	91	251-14040-1	145	323-581	101	402-611	16
226-14111-1	87	251-14040-2	145	324-581	101	402-612	16

Index

403-006-651	29	404-662K	17	406-162-S8-VS	95	406-808-005-S3	115
404-001	14	404-663K	17	406-162-VS	95	406-810-002	115
404-001-S3	14	404-673K	17	406-163	18	408-001	14
404-002	15	404-673K-V1-VS	95	406-165K	77	408-001-S3	14
404-002-S3	15	405-549-049	34	406-166	18	408-004	18
404-003	18	405-551-049	34	406-167	18	408-004-S8-VS	95
404-003DK	24	405-619-061	32	406-203	27	408-004-VS	95
404-003K	17	406-001	14	406-233	27	408-005	18
404-003-S8-VS	95	406-001-S3	14	406-243-B	27	408-006	18
404-003-VS	95	406-002	15	406-351	41	408-008	25
404-004	18	406-002-S3	15	406-352	42	408-010	24
404-005	18	406-004	18	406-361	41	408-011	82
404-006	18	406-004DK	24	406-362	42	408-013	28
404-006DK	24	406-004K	17	406-362	42	408-022	18
404-006K	17	406-004-S3	18	406-405	50	408-023	27
404-006-S8-VS	95	406-004-S8-VS	95	406-423N-VS	95	408-033-S3	27
404-006-VS	95	406-004-VS	95	406-423W-VS	95	408-054-VS	95
404-008	25	406-005	25	406-426-VS	96	408-103	27
404-009	25	406-008	25	406-603	15	408-120	35
404-010	24	406-010	24	406-611	16	408-154	18
404-011	82	406-011	82	406-612	16	408-160	18
404-040	18	406-024	75	406-612-MS	16	408-160	130
404-040K	17	406-044-S1	74	406-613	15	408-162	18
404-040K-US	17	406-045K	77	406-704-001	113	408-162-S8-VS	95
404-040K-V1-VS	95	406-054	18	406-704-001-VS	113	408-162-VS	95
404-040-VS	95	406-054	129	406-706-001	113	408-202	15
404-045	17	406-054K	17	406-706-001-VS	113	408-202-S3	15
404-047K	17	406-054-VS	95	406-708-001	113	408-211	82
404-054K	17	406-055	18	406-708-001-VS	113	408-243-B	27
404-061	18	406-089K	77	406-708-005	115	408-313	46
404-063	18	406-090K	77	406-708-005-S3	115	408-351	41
404-063-VS	95	406-091K	77	406-708-005-VS	115	408-352	42
404-072	17	406-092K	77	406-708-006	115	408-361	41
404-073-VS	95	406-093K	77	406-708-007	115	408-362	42
404-162	18	406-094K	77	406-708-008	115	408-362	42
404-164	18	406-103	27	406-708-009	115	408-413	43
404-203	27	406-145K	77	406-710-002	115	408-425W	51
404-405-S3	50	406-155K	77	406-804-001	113	408-453W	44
404-603	15	406-158	18	406-805	24	408-603	15
404-611	16	406-158-S3	18	406-806-001	113	408-611	16
404-612	16	406-158-VS	95	406-808-001	113	408-612	16
404-612-MS	16	406-162	18	406-808-005	115	408-612-MS	16

Index

410-001.....	14	412-405.....	50	443-306-343.....	63	455-546-048-S8-VS.....	99
410-002.....	15	412-405W.....	51	443-410-161.....	61	455-546-048-VS.....	99
410-003.....	27	412-407.....	49	443-410-211.....	61	455-546-068-VS.....	99
410-003-B.....	27	412-409.....	56	443-418-181.....	61	455-565-068-VS.....	97
410-004.....	19	412-423.....	43	445-513-181.....	58	455-565-068-VS.....	99
410-004DK.....	24	412-423W.....	169	445-517-222.....	58	455-569-048-VS.....	99
410-008.....	25	412-433.....	43	445-519-041-VS.....	96	456-004K.....	17
410-010.....	24	412-453.....	43	445-535-101.....	57	456-004-S8-VS.....	95
410-011.....	82	412-453W.....	44	445-713-151.....	62	456-004-VS.....	95
410-013.....	28	412-603.....	15	445-717-221.....	62	458-012.....	27
410-018.....	19	412-611.....	16	445-721-121.....	62	458-012-B.....	27
410-022.....	19	412-612.....	16	445-735-101.....	62	460-708-001.....	71
410-160.....	19	415-403.....	43	445-739-151.....	62	466-419-001.....	82
410-162.....	19	415-405.....	50	445-806-351.....	63	466-429-001.....	82
410-163.....	19	415-413.....	43	445-910-551.....	62	466-431-001.....	82
410-163.....	129	415-443W.....	44	446-308-001.....	52	466-431-005.....	81
410-163.....	130	417-012-313.....	68	446-310-001.....	52	466-431-006.....	81
410-164.....	19	418-403.....	43	446-312-001.....	52	466-431-009.....	81
410-169.....	19	418-405W.....	51	446-315-001.....	52	466-439-001.....	82
410-171.....	19	418-407.....	49	450-204-002.....	99	471-004-191.....	67
410-313.....	46	418-409.....	56	450-206-002.....	99	471-004-311.....	67
410-403-S3.....	43	418-413W.....	44	451-004-260-VS.....	95	471-006-161.....	67
410-413.....	43	422-416.....	56	451-004-462-VS.....	95	471-006-192.....	67
410-443.....	43	428-21543-2.....	151	451-004-471-VS.....	95	471-006-311.....	67
410-443W.....	44	428-21544-1.....	150	451-004-498-VS.....	95	471-006-319.....	68
410-603.....	15	428-21544-1.....	151	451-004-518-VS.....	95	471-006-320.....	68
410-611.....	16	428-21545-1.....	151	451-006-468-VS.....	95	471-006-351.....	67
410-612.....	16	428-21546-2.....	151	451-006-498-VS.....	95	471-008-130.....	67
410-612-MS.....	16	432-23077-1.....	163	451-006-518-VS.....	95	471-008-131.....	67
412-001.....	14	432-23676-1.....	115	453-004-471-S8-VS.....	97	471-008-161.....	67
412-002.....	15	432-24043-1.....	77	453-004-471-VS.....	97	471-008-211.....	67
412-004.....	19	432-24050-1.....	77	453-006-468-S8-VS.....	97	471-008-312.....	68
412-008.....	25	432-24051-1.....	77	453-006-468-VS.....	97	471-008-314.....	67
412-010.....	24	432-24052-1.....	77	454-504-041-VS.....	96	471-008-318.....	68
412-011.....	82	432-70024-1.....	146	455-529-048-S8-VS.....	99	471-008-345.....	67
412-014.....	19	432-70673-1.....	77	455-529-048-VS.....	99	471-008-351.....	67
412-162.....	19	432-70674-1.....	77	455-529-068-S8-VS.....	99	471-008-391.....	67
412-163.....	19	432-71483-1.....	77	455-529-068-VS.....	99	471-010-161.....	67
412-163.....	130	433-890-131.....	75	455-531-048-S8-VS.....	99	471-010-211.....	67
412-164.....	19	441-108-132.....	60	455-531-048-VS.....	99	471-010-312.....	67
412-169.....	19	443-218-001.....	50	455-531-068-S8-VS.....	99	471-010-312.....	68
412-403.....	43	443-290-001.....	50	455-531-068-VS.....	99	471-010-318.....	68

Index

471-010-351.....	67	502-206K	29	504-108-S8-VS	98	506-007.....	33
471-010-391.....	67	504-003	28	504-108-VS	98	506-007.....	33
471-012-161.....	67	504-004.....	20	504-109.....	33	506-008	22
471-012-211.....	67	504-008	22	504-110.....	33	506-010.....	20
471-012-312.....	68	504-019.....	83	504-111.....	33	506-012.....	31
471-012-391.....	67	504-019-AL.....	83	504-112.....	33	506-013.....	32
473-806-351.....	70	504-027.....	31	504-114.....	32	506-014.....	33
473-806-391.....	70	504-027.....	31	504-115.....	32	506-018.....	32
473-808-371.....	70	504-045.....	23	504-161	31	506-025.....	33
473-808-392.....	70	504-051.....	33	504-161-VS.....	96	506-026	33
473-810-371.....	70	504-051.....	33	504-162	31	506-030	31
473-810-391.....	70	504-051.....	33	504-200K	30	506-030	32
474-506-061.....	69	504-052.....	31	504-200K-V1-VS	97	506-030	32
474-508-081.....	69	504-052.....	31	504-201K	30	506-030	32
474-510-101.....	69	504-052.....	32	504-201-S8-VS	97	506-032.....	33
474-512-121.....	69	504-052.....	32	504-201-VS	97	506-032.....	33
474-515-151.....	69	504-052.....	32	504-202K	30	506-032.....	33
474-518-181.....	69	504-054.....	31	504-202-S8-VS	97	506-033	31
474-606-331.....	68	504-054.....	31	504-202-VS	97	506-033	31
474-608-351.....	68	504-054.....	33	504-203K	30	506-033	32
474-610-351.....	68	504-056.....	32	504-401	31	506-034.....	31
474-612-391.....	68	504-056.....	33	504-401-S1-VS	96	506-034.....	32
474-615-431.....	68	504-071.....	33	504-401-VS	96	506-056.....	32
474-618-441.....	68	504-071.....	33	504-411	31	506-101.....	32
476-006-001.....	69	504-071.....	33	504-411-VS.....	96	506-108.....	31
476-008-001.....	69	504-072.....	31	504-412.....	47	506-108-S8-VS	98
476-010-001.....	69	504-072.....	32	504-510K.....	29	506-108-VS	98
476-012-001.....	69	504-073.....	31	504-651.....	31	506-114.....	32
476-015-001.....	69	504-073.....	33	504-651.....	31	506-139-S8-VS	98
502-051.....	31	504-075.....	32	504-851.....	31	506-139-VS	98
502-051.....	31	504-100-VS	98	504-851.....	31	506-140.....	31
502-052.....	31	504-101.....	31	504-37184-2.....	146	506-140-S8-VS	98
502-053.....	31	504-101-S8-VS	98	504-37210-1.....	146	506-140-VS	98
502-053.....	31	504-101-VS	98	504-37211-1.....	146	506-142.....	31
502-054.....	31	504-102.....	31	506-004	28	506-142-S8-VS	98
502-054.....	31	504-102-S8-VS	98	506-005	31	506-142-VS	98
502-056.....	31	504-102-VS	98	506-005	31	506-143-VS.....	98
502-056.....	31	504-103.....	28	506-005	32	506-145.....	31
502-101	31	504-103-VS	96	506-005	32	506-202K	29
502-102	31	504-105.....	32	506-006	32	506-214.....	31
502-154.....	31	504-106.....	33	506-006	33	506-242.....	33
502-161	31	504-108.....	31	506-007.....	33	506-342.....	32

Index

506-345.....	32	508-030	31	510-024.....	31	558-012.....	31
506-346.....	32	508-030	32	510-041.....	31	558-012.....	31
506-408	22	508-030	32	510-041.....	32	558-012.....	33
506-442.....	33	508-030	32	510-041.....	32	558-012.....	33
506-508K	29	508-032.....	33	510-042.....	33	558-012.....	33
506-508-S8-VS	97	508-032.....	33	510-044.....	31	558-612.....	32
506-508-VS	97	508-032.....	33	510-044.....	32	558-612.....	32
506-510K.....	29	508-033	32	510-044.....	32	558-612.....	33
506-510-S8-VS	97	508-034	32	510-102.....	22	558-612.....	33
506-510-VS	97	508-054.....	31	510-142.....	31	558-812.....	32
506-511K-V1-VS	97	508-054.....	32	510-145.....	31	558-812.....	32
506-511-S8-VS	97	508-108.....	83	510-242.....	33	558-812.....	32
506-511-VS.....	97	508-108.....	130	510-341.....	32	558-812.....	33
506-512K.....	29	508-108.....	130	510-342.....	32	558-812.....	33
506-512-VS	97	508-142.....	31	510-343.....	32	558-912.....	32
508-002-2	22	508-142-S8-VS	98	510-344.....	32	558-912.....	32
508-005	33	508-142-VS	98	510-346.....	32	558-912.....	32
508-005	33	508-144.....	31	510-410.....	47	558-912.....	33
508-005	33	508-145.....	31	510-413.....	47	558-913.....	32
508-005	33	508-215-CU	83	510-442.....	33	568-342.....	32
508-006	31	508-242.....	33	512-412.....	47	568-442.....	33
508-006	31	508-303	32	514-018K.....	29	586-342.....	32
508-006	33	508-303	32	514-018K-S1.....	30	586-442.....	33
508-006	33	508-303	33	514-018K-V1-VS	97	602-001.....	119
508-007.....	31	508-303	33	514-018-S8-VS	97	602-002	119
508-007.....	31	508-304	32	514-018-VS.....	97	604-001.....	119
508-007.....	32	508-305	33	515-410.....	47	604-002	119
508-007.....	32	508-320-CU	83	525-32080-1	135	604-003	119
508-007.....	32	508-342.....	32	525-32081-1.....	135	604-004	121
508-008	32	508-345.....	32	525-32082-1.....	135	604-014.....	120
508-008	32	508-346.....	32	525-32083-1.....	135	604-015.....	120
508-008	33	508-442.....	33	525-32084-1.....	135	604-016.....	120
508-008	33	508-512K.....	29	525-32085-1.....	135	604-018.....	120
508-012.....	32	508-602-2	22	525-32086-1.....	135	604-36879-1	160
508-013.....	33	510-010.....	32	525-32087-1.....	135	606-010.....	119
508-014.....	33	510-010.....	32	525-32098-1.....	135	606-014.....	121
508-023	31	510-010.....	32	528-31341-3.....	150	608-001	119
508-023	31	510-017.....	31	528-36045-6	150	608-003	119
508-023	31	510-017.....	31	532-32131-1.....	146	608-004	121
508-023	33	510-017.....	31	532-32248-1.....	146	610-001.....	119
508-024	31	510-023.....	31	532-32454-1.....	146	610-004.....	121
508-025	33	510-023.....	32	558-012.....	31	612-001.....	119

Index

624-25294-1.....	131	714-300-MK.....	109	716-400-M.....	108	734-260.....	111
624-25465-1.....	131	714-300-M-VS.....	110	716-400-MK.....	109	734-260-K.....	111
624-25478-1.....	131	714-300-VS.....	110	716-400-M-VS.....	110	734-260-VS.....	112
624-25479-1.....	131	714-380.....	108	716-420.....	108	734-300.....	111
624-25480-1.....	131	714-380-K.....	109	716-420-K.....	109	734-300-K.....	111
624-25482-1.....	131	714-380-VS.....	110	716-420-VS.....	110	734-300-VS.....	112
624-25483-1.....	131	714-400-M.....	108	716-450-MK.....	109	734-380.....	111
624-27092-1.....	131	714-400-MK.....	109	716-450-M-VS.....	110	734-380-K.....	111
625-25481-1.....	131	714-400-M-VS.....	110	716-460-M.....	108	734-380-VS.....	112
626-25438-2.....	79	714-420.....	108	716-500.....	108	734-420.....	111
626-25540-2.....	79	714-420-K.....	109	716-500-K.....	109	734-420-K.....	111
626-25702-1.....	79	714-420-VS.....	110	716-500-M.....	108	734-420-VS.....	112
626-25716-2.....	79	714-450.....	108	716-500-MK.....	109	734-450.....	111
626-25717-2.....	79	714-450-K.....	109	716-500-M-VS.....	110	734-450-K.....	111
626-26246-1.....	125	714-450-VS.....	110	716-500-VS.....	110	734-450-VS.....	112
626-26696-2.....	79	714-500.....	108	716-580.....	108	734-500.....	111
626-26700-2.....	79	714-500-K.....	109	716-580-K.....	109	734-500-K.....	111
626-26701-2.....	79	714-500-M.....	108	716-580-VS.....	110	734-500-VS.....	112
628-25531-2.....	150	714-500-MK.....	109	718-340.....	108	734-580.....	111
628-26452-2.....	150	714-500-M-VS.....	110	718-340-K.....	109	734-580-K.....	111
628-36062-3.....	150	714-500-VS.....	110	718-340-VS.....	110	734-580-VS.....	112
651-28685-1.....	142	714-580.....	108	718-400-M.....	108	833-020-022.....	81
651-28691-1.....	142	714-580-K.....	109	718-400-MK.....	109	833-330-016.....	81
651-29124-1.....	142	714-580-M.....	108	718-400-M-VS.....	110	833-330-021.....	81
714-180.....	108	714-580-MK.....	109	718-450.....	108	833-340-034.....	81
714-180-K.....	109	714-580-M-VS.....	110	718-450-K.....	109	843-130-021.....	74
714-180-M.....	108	714-580-VS.....	110	718-450-M.....	108	843-130-022.....	74
714-180-MK.....	109	716-220.....	108	718-450-MK.....	109	843-130-023.....	74
714-180-M-VS.....	110	716-220-K.....	109	718-450-M-VS.....	110	844-330-006.....	156
714-180-VS.....	110	716-220-VS.....	110	718-450-VS.....	110	844-330-007.....	156
714-220.....	108	716-300.....	108	718-500-M.....	108	844-330-007.....	156
714-220-K.....	109	716-300-K.....	109	718-500-MK.....	109	853-370-002.....	115
714-220-VS.....	110	716-300-M.....	108	718-500-M-VS.....	110	853-380-002.....	115
714-260.....	108	716-300-MK.....	109	718-580.....	108	853-380-002-VS.....	115
714-260-K.....	109	716-300-M-VS.....	110	718-580-K.....	109	853-380-003.....	115
714-260-M.....	108	716-300-VS.....	110	718-580-VS.....	110	853-380-003-VS.....	115
714-260-MK.....	109	716-340.....	108	734-180.....	111	853-380-004.....	115
714-260-M-VS.....	110	716-340-K.....	109	734-180-K.....	111	853-380-004-VS.....	115
714-260-VS.....	110	716-340-VS.....	110	734-180-VS.....	112	853-380-006-VS.....	115
714-300.....	108	716-380.....	108	734-220.....	111	853-380-007-VS.....	115
714-300-K.....	109	716-380-K.....	109	734-220-K.....	111	853-390-002.....	115
714-300-M.....	108	716-380-VS.....	110	734-220-VS.....	112	853-390-002-VS.....	115

Index

853-390-003	115	941-222-100.	121	995-003-042	143	DAK510-S1	37
853-390-003-VS	115	941-225-104.	121	995-003-043	143	DAK512	36
853-390-004-VS	115	941-606-000	122	995-003-044	143	DAR506	20
853-390-005-VS	115	941-608-000	122	995-014-014.	26	DAR508	20
853-390-006-VS	115	941-610-000	122	995-340-000	26	DAR510	20
853-540-010	115	982-120-040	106	995-340-000-S8	26	DAR510-S1	20
853-750-024	27	982-120-041.	106	995-340-350	26	DAR524	21
855-380-002	115	982-120-061	106	995-340-350-S8	26	DAR534	21
855-380-002-VS	115	982-120-100	106	995-350-000	26	DAT506	23
855-380-003	115	982-120-180	106	995-350-000-S8	26	DAT508	23
855-380-003-VS	115	982-750-111.	114	996-001-890	145	DAT510	23
871-340-006	147	982-760-102.	105	001013.	166	DAT510-S1	23
871-340-008	147	982-760-120.	105	1110-00000001	114	DAT510-S5	23
871-360-006	147	982-760-122	105	1110-00000002	114	DAT512	23
871-360-008	147	982-760-130.	105	001142.	166	DIN 908-G1-8A-5.8	82
871-380-006	147	982-760-132.	105	001871.	165	DIN 908-G3-8A-5.8	82
871-390-020	147	982-760-142	105	001882-E	165	DIN 908-M10x1-5.8	82
871-390-023	147	982-760-160.	105	1886.	165	DIN 908-M12x1,5-5.8	82
898-510-000	122	982-760-172.	105	5590-00000002	167	DIN 908-M14x1,5-5.8	82
898-610-000	122	995-000-705	126	005841.	161	DIN910-R1-2-5.8.	82
898-710-000	122	995-000-705	169	068874.	153	DIN910-R1-4x8-5.8.	82
898-710-001	122	995-001-096	126	91308.	79	DIN910-R1-5.8	82
902-111.	14	995-001-104	21	AC-2879.	153	DIN910-R1-8-5.8.	82
904-411.	14	995-001-106	21	AC-3398	153	DIN910-R3-4-5.8.	82
906-411.	14	995-001-235	126	B3.U21.	142	DIN910-R3-8-5.8.	82
908-411.	14	995-001-260	126	B7.	143	DIN912-M3x8-A4.	123
910-411	14	995-001-500	126	B7.U271.	142	DIN931-M6x30-8.8	123
912-411	14	995-001-500	169	BW3-2-S1	143	DIN933-M4x10-8.8	123
917-877	162	995-001-501	126	BW7-S6	143	DIN2462-R04x1+A46.	107
941-206-104.	121	995-001-502	126	BW7-S7	143	DIN2462-R010x1+A46.	107
941-206-108	121	995-001-503	126	BW7-S8	143	DIN7513-BM4x20.	123
941-208-104.	121	995-001-504	126	BW7-S11	143	DIN7513-BM4x25.	123
941-209-104.	121	995-001-525	125	BW7-S14	143	DIN7513-BM6x25.	123
941-209-105.	121	995-001-526	125	D301-001-MS.	18	DIN7603-A6x10-CU	83
941-210-104.	121	995-001-620	127	D301-005-MS.	18	DIN7603-A8x11.5-CU	83
941-212-104.	121	995-001-621	127	D301-020-MS.	18	DIN7603-A12x18-CU	83
941-213-104.	121	995-001-622	127	D408-004-MS	18	DIN7603-A14x18-CU	83
941-215-104.	121	995-001-623	127	D1127R02.5x0.5+A46	107	DIN7603-A16x20-CU	83
941-217-104	121	995-001-950	126	DAK504-S1	36	DIN7603-A17x21-CU	83
941-217-105	121	995-002-073	126	DAK506	36	DIN7603-A18x22-CU	83
941-218-101.	121	995-003-040	143	DAK508	36	DIN7603-A20x24-CU	83
941-220-104.	121	995-003-041	143	DAK510	36	DIN7603-A21x26-CU	83

Index

DIN7603-A22x27-CU	83	KW6-S2	141	WVN200-6B20	132	WVN716-R08X1.25	104
DIN7603-A27x32-CU	83	KW6-S81	141	WVN200-6B40	132		
DIN7603-A30x36-CU	83	LAGN 120	147	WVN200-8B0	132		
DIN7603-A33x39-CU	83	P-78.01	75	WVN200-8B3	132		
DIN72573-1x6-NIRO	120	UC.1010.100	153	WVN200-8B5	132		
DIN72573-2x6-NIRO	120	UC-1066-01	153	WVN200-8B12	132		
DIN 72573-2x6-ST	120	UC-1066-02	153	WVN200-8B16	132		
DIN 72573-2x8-ST	120	UC-1066-03	153	WVN200-8B20	132		
DIN 72573-2x10-ST	120	UC-1066-04	153	WVN200-8B32	132		
DIN72573-3x6-NIRO	120	UC-1066-05	153	WVN200-8D50	133		
DIN 72573-3x6-ST	120	UC-1066-06	153	WVN200-8D75	133		
DIN 72573-3x8-ST	120	UC-1066-10	153	WVN200-8D120	133		
DIN 72573-3x10-ST	120	UC-1066-14	153	WVN200-8D220	133		
DIN72573-4x6-NIRO	120	UFZ.0097	134	WVN200-10B0	132		
DIN 72573-4x6-ST	120	VL-01DAM3	101	WVN200-10B0.5	132		
DIN 72573-4x8-ST	120	VL-01EAM3	101	WVN200-10B1	132		
DIN 72573-4x10-ST	120	VL-02DAM3	101	WVN200-10B32	132		
DIN72573-5x6-NIRO	120	VL-02EAM3	101	WVN200-10D120-S1	133		
DIN 72573-5x6-ST	120	VL-03DAM3	101	WVN200-10D220-S1	133		
DIN 72573-5x8-ST	120	VL-03EAM3	101	WVN200-10E6	130		
DIN 72573-5x10-ST	120	VL-04DAM3	101	WVN200-10E12	130		
DIN72573-6x6-NIRO	120	VL-04EAM3	101	WVN200-10E12-S8	130		
DIN 72573-6x6-ST	120	VL-05DAM3	101	WVN200-10E25	130		
DIN 72573-6x8-ST	120	VL-05EAM3	101	WVN200-10E25-S8	130		
DLY930-2	80	VL-06DAM3	101	WVN200-10E35	130		
DLY931	80	VL-06EAM3	101	WVN200-10E60	130		
DLY932	80	VL-08DAM3	101	WVN200-10E60-S8	130		
DY958	30	VL-08EAM3	101	WVN701-4	113		
DY960	30	VL-10DAM3	101	WVN701-6	113		
DY961	30	VL-10EAM3	101	WVN701-8	113		
DY962	30	WVN200-4A0.4	132	WVN711-10	114		
DY964	23	WVN200-4A0.4-S1	132	WVN715-R02.5X0.5	104		
DZ333	75	WVN200-4A5	132	WVN715-R04X0.85	104		
DZ334	75	WVN200-4A8	132	WVN715R04X0.85+A89	104		
K1	141	WVN200-4A12	132	WVN715-R06X1	104		
K3-S2	141	WVN200-4A16	132	WVN715-R06X1.25	104		
K6-S5	141	WVN200-4A25	132	WVN715R06X1.25+A89	104		
K6-S6	141	WVN200-6B0.5	132	WVN715-R08x1.25	104		
KW1	141	WVN200-6B3	132	WVN716-R04X0.85	104		
KW1-S2	141	WVN200-6B8	132	WVN716R04X0.85+A89	104		
KW3-S1	141	WVN200-6B12	132	WVN716-R06X1.25	104		
KW6-S1	141	WVN200-6B16	132	WVN716R06X1.25+A89	104		



Important information on product usage

SKF and Lincoln lubrication systems or their components are not approved for use with gases, liquefied gases, pressurized gases in solution and fluids with a vapor pressure exceeding normal atmospheric pressure (1 013 mbar) by more than 0,5 bar at their maximum permissible temperature.



skf.com | skf.com/lubrication | lincolnindustrial.com

© SKF and LINCOLN are registered trademarks of the SKF Group.

© SKF Group 2020

The contents of this publication are the copyright of the publisher and may not be reproduced (even extracts) unless prior written permission is granted. Every care has been taken to ensure the accuracy of the information contained in this publication but no liability can be accepted for any loss or damage whether direct, indirect or consequential arising out of the use of the information contained herein.

PUB LS/P1 15859 EN · August 2020

Certain image(s) used under license from Shutterstock.com